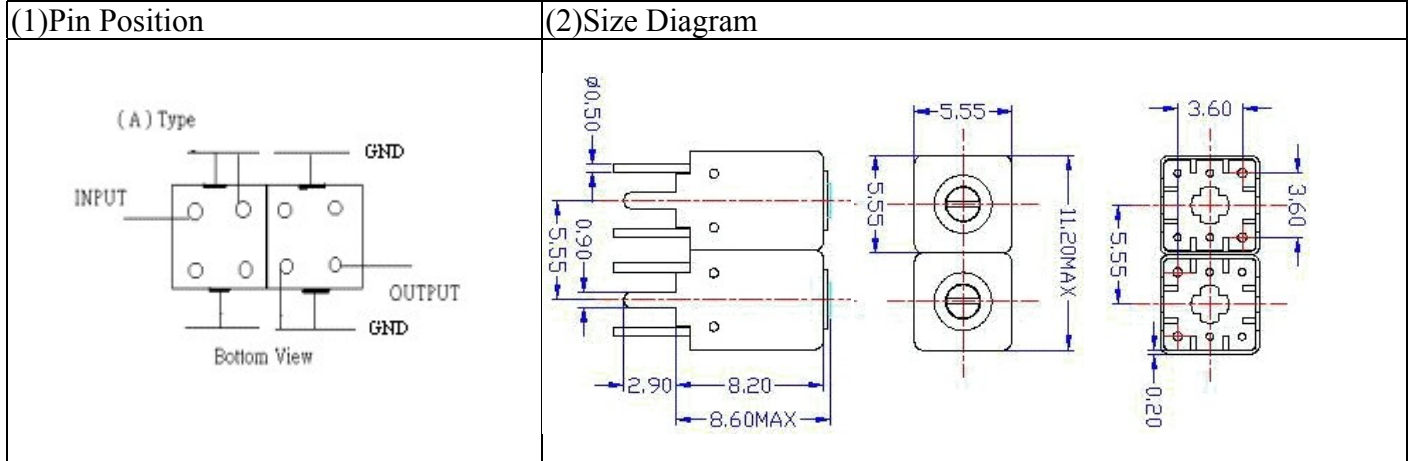


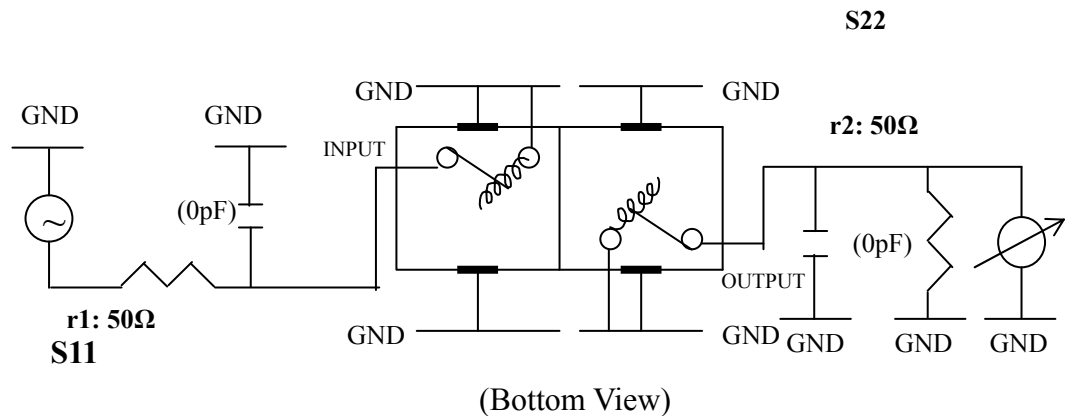
VHF UHF Helical Filter Specification Sheet

Customer Name		Temwell's Part No.	TDW2899A-575M
Approval No. /dated	0806010CD	Temwell's print name.	2899A 575M
Work Instruction No.	0806010CD	Date	June.10.2008



(3) Electric Charasteric			
Item		Specify	Performance
Center Freq.(Fo) +/- 0.5 %		575 MHz	575 MHz
Tunable Range:		575±5 MHz	575±5 MHz
Insertion Loss		Typ. 2.5 dB	2.08 dB
-3 dB Bandwidth		Typ. 20 MHz	26.1 MHz
Sensitivity (Attenuation)	Fo - 50 MHz	Typ. 15 dBc	18 dBc
	Fo + 50 MHz	Typ. 21 dBc	24 dBc
	Fo - ()MHz	Typ. dBc	dBc
	Fo +()MHz	Typ. dBc	dBc
Return Loss		Min. 12 dB	20.2 dB
Ripple		< 1 dB	dB
Impedance		In / Out : 50 Ω	In / Out : 50 Ω
(4) Torque for Tuning Screw		> 60gf • cm	
(5) Temperature Condition:			
Operating Temperature		0°C ~ +60°C	
Storage Temperature		-20°C ~ +70°C	
(6) Input Power		> 0.5Watt	

(7) Measuring Circuit: ※Easy to match Impedance 50Ω/ by parallel with about (0) pF.



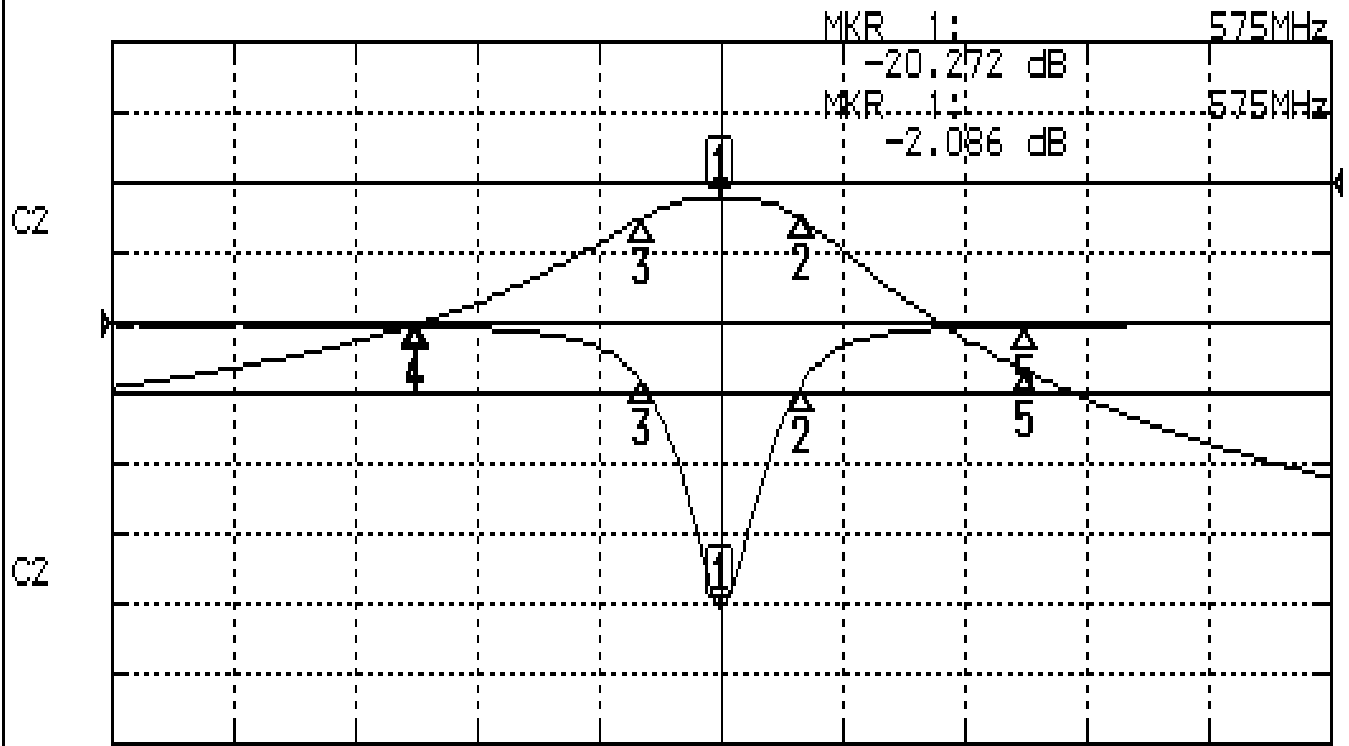
Approval	Supervisor	Designer	Aperture size
C.Y.Chang	C.S.Chang	P.H.Chiang	5W2S(3.8*4.5) 5HW020RB3.5

TEMWELL CORPORATION

Performance-TDW2899A-575M

0806010CD

CH1 S11 LOG MAG REF 0.000 dB 5.000 dB/
CH2 S21 LOG MAG REF 0.000 dB 10.000 dB/



CENTER 575MHz

[10.00 dBm]

SPAN 200MHz

CH1 MARKER LIST

1	575.000MHz	-20.272	dB
2	580.166MHz	-14.453	dB
3	582.000MHz	-14.165	dB
4	572.500MHz	-10.280	dB
5	625.000MHz	-0.225	dB

CH2 MARKER LIST

1	575.000MHz	-2.086	dB
2	580.166MHz	-1.080	dB
3	582.000MHz	-1.070	dB
4	572.500MHz	-20.108	dB
5	625.000MHz	-26.838	dB