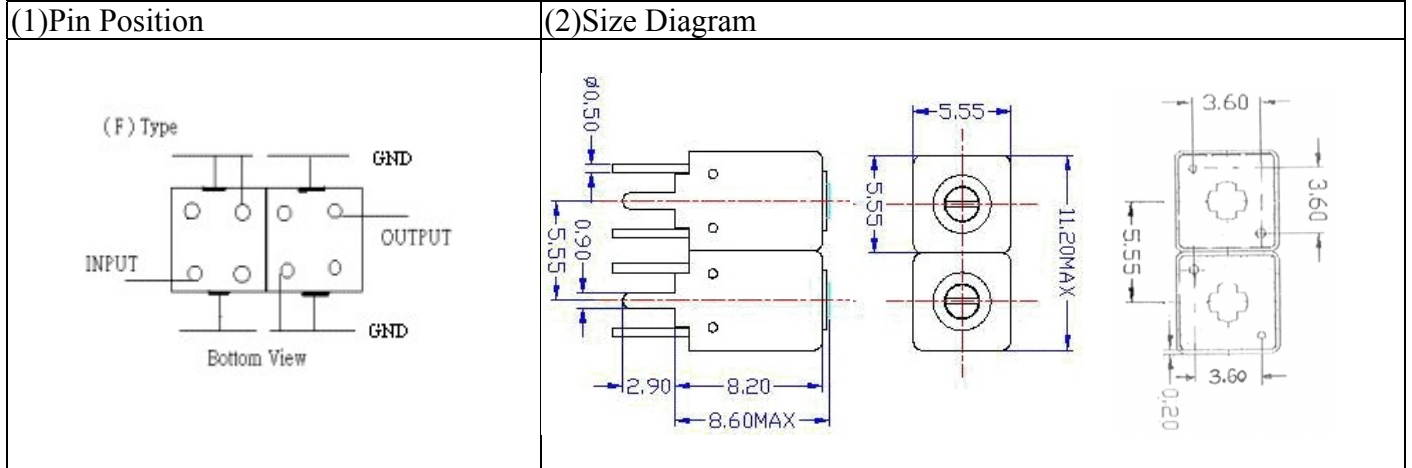


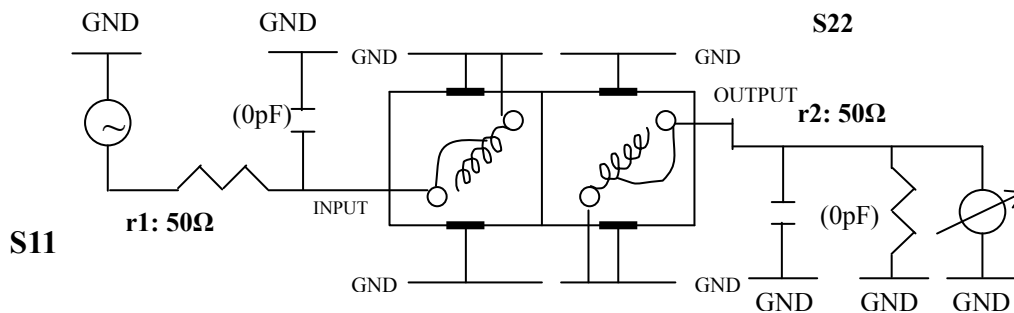
VHF UHF Helical Filter Specification Sheet

Customer Name		Temwell's Part No.	TDW2901F-948.5M
Approval No. /dated	0806058APR	Temwell's print name.	2901F 948.5M
Work Instruction No.	0806058CD	Date	June.12.2008



(3) Electric Characteristic		Item	Specify	Performance
		Center Freq.(Fo) +/- 0.5 %	948.5 MHz	948.5 MHz
		Tunable Range :	948.5±5 MHz	948.5±5 MHz
		Insertion Loss	Typ. 3.0 dB	2.05 dB
		-3 dB Bandwidth	Typ. 30 MHz	38.3 MHz
Sensitivity (Attenuation)	Fo - 220 MHz	Typ. 28 dBc		31 dBc
	Fo + 220 MHz	Typ. 38 dBc		41 dBc
	Fo - (50)MHz	Typ. 10 dBc		13 dBc
	Fo + (50)MHz	Typ. 13 dBc		16 dBc
		Return Loss	Min. 12 dB	22.4 dB
		Ripple	< 1 dB	dB
		Impedance	In / Out : 50 Ω	In / Out : 50 Ω
(4) Torque for Tuning Screw			> 60gf • cm	
(5) Temperature Condition:				
Operating Temperature			0°C ~ +60°C	
Storage Temperature			-20°C ~ +70°C	
(6) Input Power			> 0.5Watt	

(7) Measuring Circuit: ※Easy to match Impedance 50Ω/ by parallel with about (0) pF.

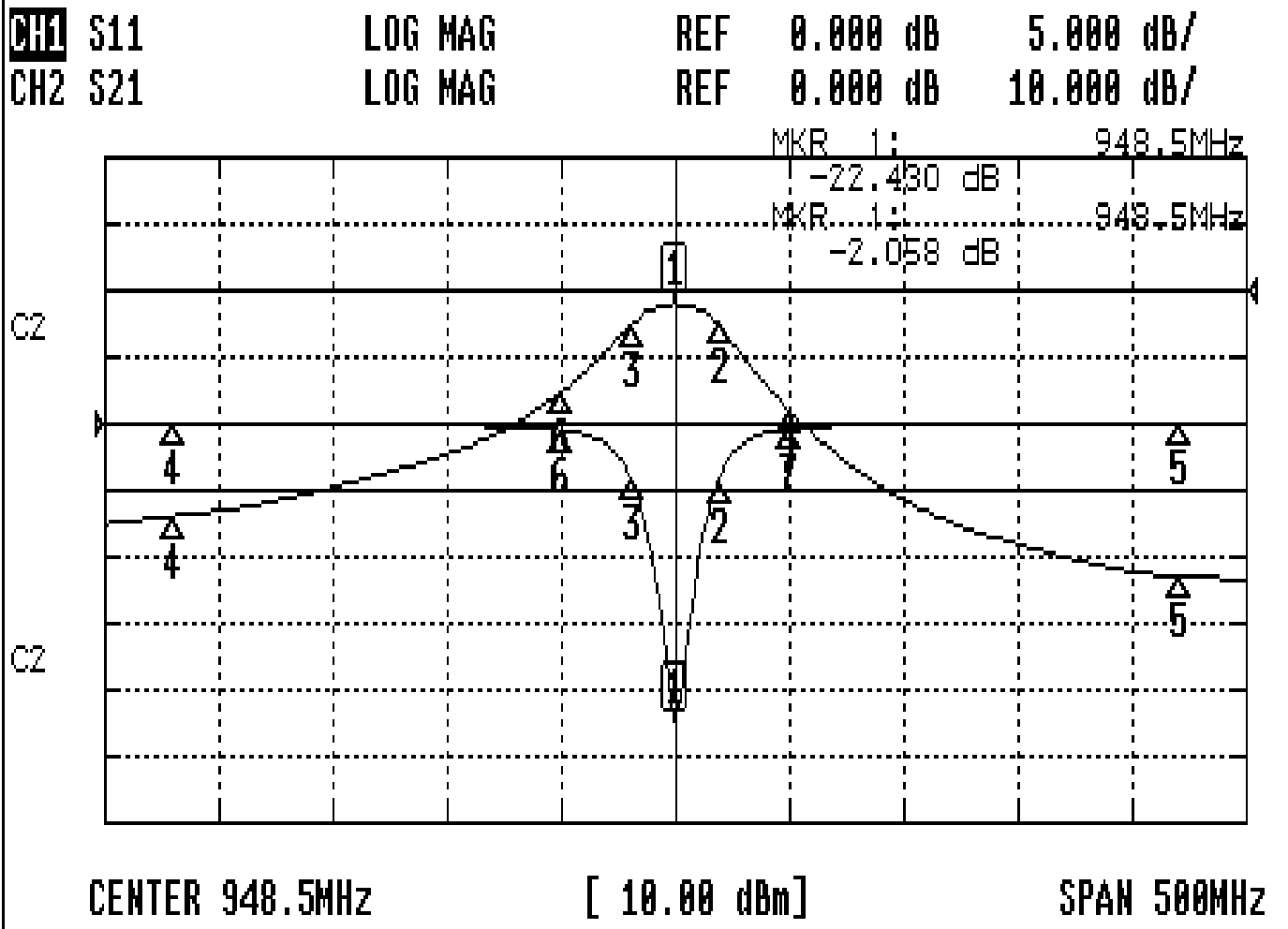


(Bottom View)

Approval	Supervisor	Designer	Aperture size
C.Y.Chang	C.S.Chang	P.H.Chiang	5W2(3.8*4.0) 5HW024RB3

Performance-TDW2901F-948.5M

0806058CD



CH1 MARKER LIST

1:	948.5000MHz	-22.430	dB
2:	967.6666MHz	-4.243	dB
3:	929.3333MHz	-4.101	dB
4:	720.0000MHz	-0.078	dB
5:	1.1600GHz	-0.075	dB
6:	800.0000MHz	-0.465	dB
7:	998.5000MHz	-0.351	dB

CH2 MARKER LIST

1:	948.5000MHz	-2.058	dB
2:	967.6666MHz	-1.147	dB
3:	929.3333MHz	-0.839	dB
4:	720.0000MHz	-0.912	dB
5:	1.1600GHz	-0.000	dB
6:	800.0000MHz	-0.329	dB
7:	998.5000MHz	-0.008	dB