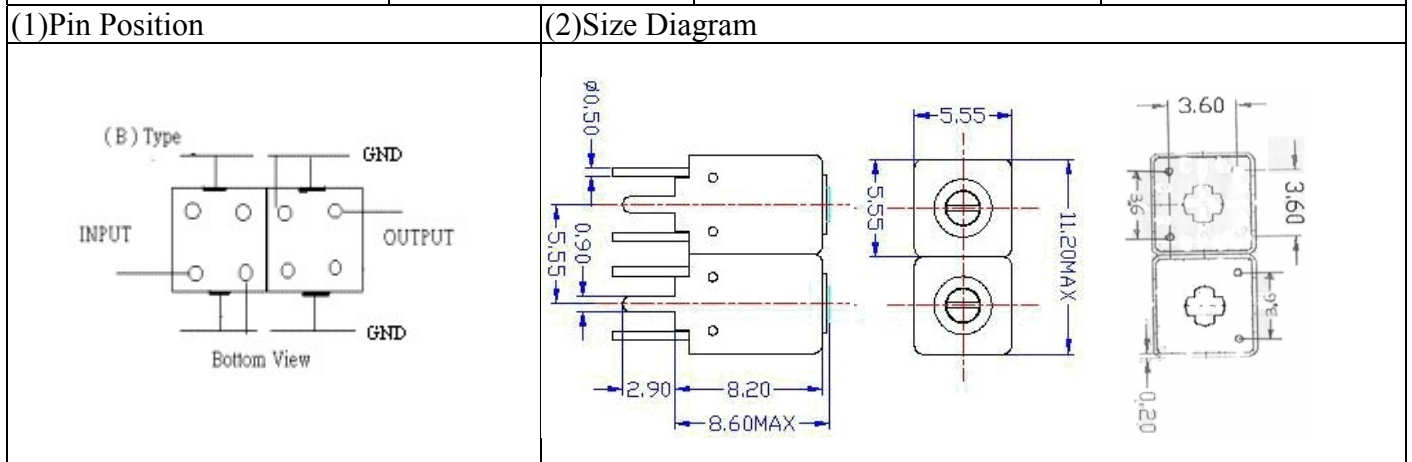


VHF UHF Helical Filter Specification Sheet

Customer Name		Temwell's Part No.	TDW2905B-375M
Approval No. /dated	0901015CD	Temwell's print Name.	2905B 375M
Work Instruction No.	200901015CD	Date	Mar.17.2009



(3)Electric Charasteric

Item	Specify	Performance	
Center Freq.(Fo) +/- 0.5 %	375 MHz	375 MHz	
Tunable Range:	375±3 MHz	375±3 MHz	
Insertion Loss	Typ. 2.0 dB	1.14 dB	
-3 dB Bandwidth	Typ. 40 MHz	42.3 MHz	
Sensitivity (Attenuation)	Fo - 100 MHz	Typ. 17 dBc	20 dBc
	Fo + 100 MHz	Typ. 24 dBc	27 dBc
	Fo - ()MHz	Typ. dBc	dBc
	Fo +()MHz	Typ. dBc	dBc
Return Loss	Min. 12 dB	25.4 dB	
Ripple	< 1 dB	dB	
Impedance	In / Out : 50 Ω	In / Out : 50 Ω	

(4)Torque for Tuning Screw > 60gf • cm

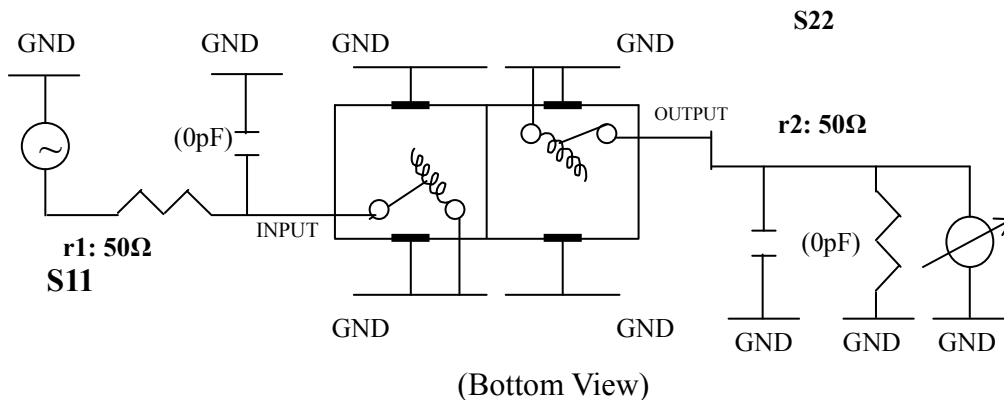
(5)Temperature Condition:

Operating Temperature 0°C ~ +60°C

Storage Temperature -20°C ~ +70°C

(6)Input Power > 0.5Watt

(7)Measuring Circuit: ※Easy to match Impedance 50Ω by parallel with about (0pF)/(0pF)



Approval	Supervisor	Designer	Aperture size
C.Y.Chang	C.K.Chang	C.S.Chang	5W2S(3.8*3.5)(3.58) (5HW020RB4.5)

TEMWELL CORPORATION

TEMWELL

Form10-5W2B Vision D

RP(C.S.C)

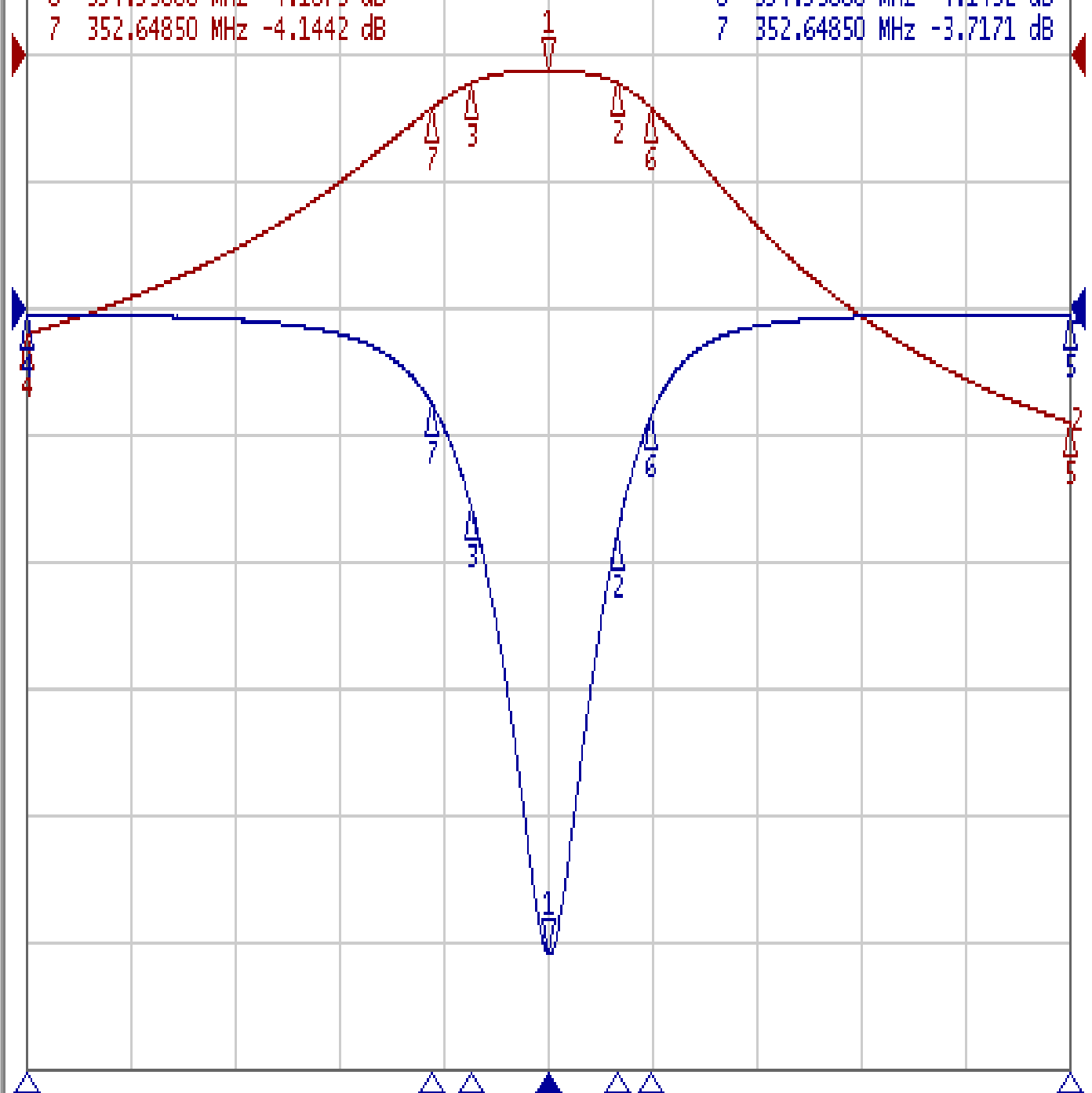
Performance-TDW2905B-375M

200901015CD

Tr1 S11 Log Mag 5.000dB/ Ref 0.000dB [F3]
Tr2 S21 Log Mag 10.00dB/ Ref 0.000dB [F3]

1	375.00000	MHz	-1.1487	dB
2	388.27075	MHz	-2.1513	dB
3	360.25325	MHz	-2.1711	dB
4	275.00000	MHz	-22.025	dB
5	475.00000	MHz	-28.964	dB
6	394.95600	MHz	-4.1873	dB
7	352.64850	MHz	-4.1442	dB

>1	375.00000	MHz	-25.469	dB
2	388.27075	MHz	-8.9367	dB
3	360.25325	MHz	-7.7459	dB
4	275.00000	MHz	-0.2110	dB
5	475.00000	MHz	-0.2209	dB
6	394.95600	MHz	-4.1432	dB
7	352.64850	MHz	-3.7171	dB



1 Center 375 MHz

IFBW 10 kHz

Span 200 MHz

