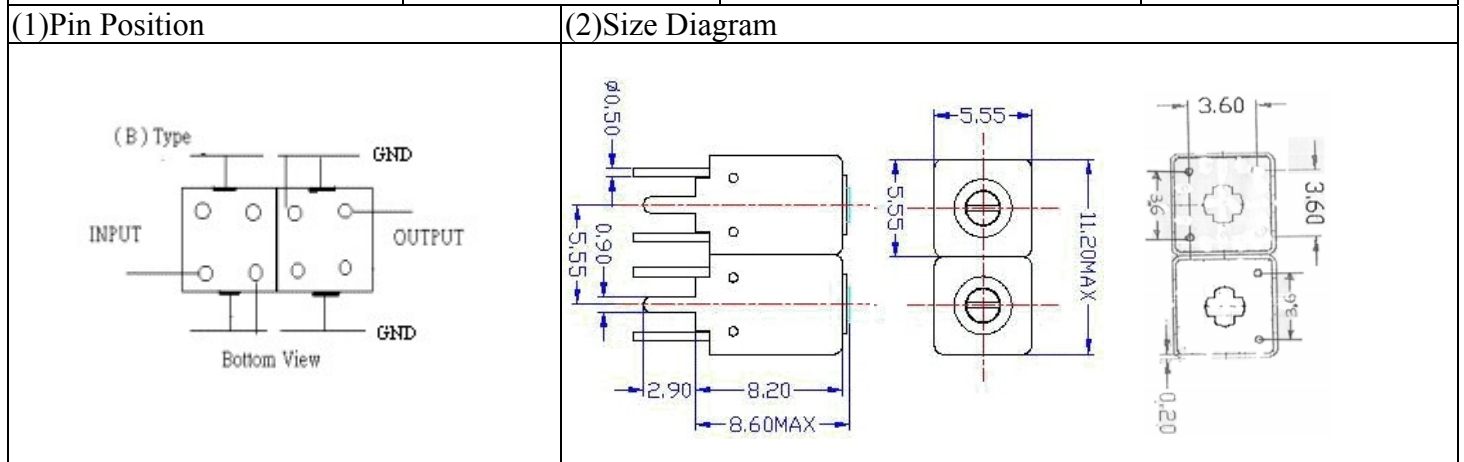


VHF UHF Helical Filter Specification Sheet

Customer Name		Temwell's Part No.	TDW2906B-425M
Approval No. /dated	0901016CD	Temwell's print Name.	2906B 425M
Work Instruction No.	200901016CD	Date	Mar.20.2009



(3) Electric Characteristic			
Item	Specify	Performance	
Center Freq.(Fo) +/- 0.5 %	425 MHz	425	MHz
Tunable Range:	425±3 MHz	425±3	MHz
Insertion Loss	Typ. 2.0 dB	1.35	dB
-3 dB Bandwidth	Typ. 40 MHz	44.4	MHz
Sensitivity (Attenuation)	Fo - 100 MHz	Typ. 16	dBc
	Fo + 100 MHz	Typ. 23	dBc
	Fo - ()MHz	Typ.	dBc
	Fo +()MHz	Typ.	dBc
Return Loss	Min. 12 dB	32.4	dB
Ripple	< 1 dB		dB
Impedance	In / Out : 50 Ω	In / Out : 50 Ω	

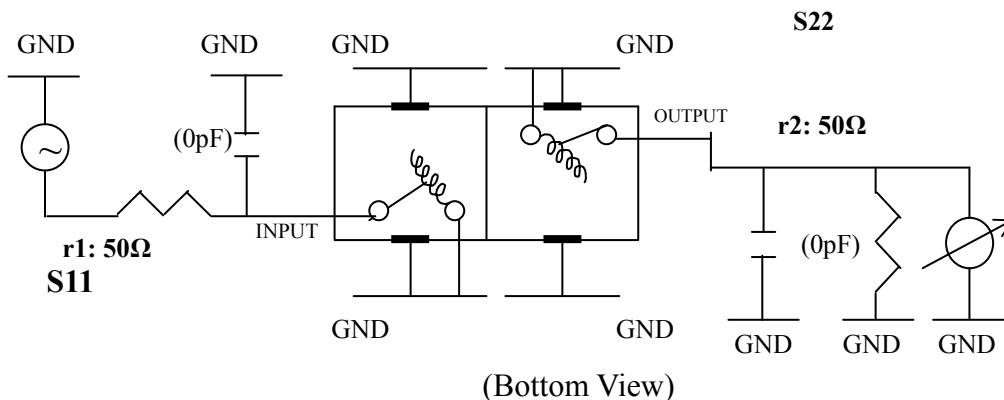
(4) Torque for Tuning Screw > 60gf · cm

(5) Temperature Condition:

Operating Temperature	0°C ~ +60°C
Storage Temperature	-20°C ~ +70°C

(6) Input Power > 0.5Watt

(7) Measuring Circuit: ※Easy to match Impedance 50Ω by parallel with about (0pF)/(0pF)



Approval C.Y.Chang	Supervisor C.K.Chang	Designer C.S.Chang	Aperture size 5W2S(3.8*4.0)(4.12) (5HW020RB4.5)
-----------------------	-------------------------	-----------------------	---

TEMWELL CORPORATION

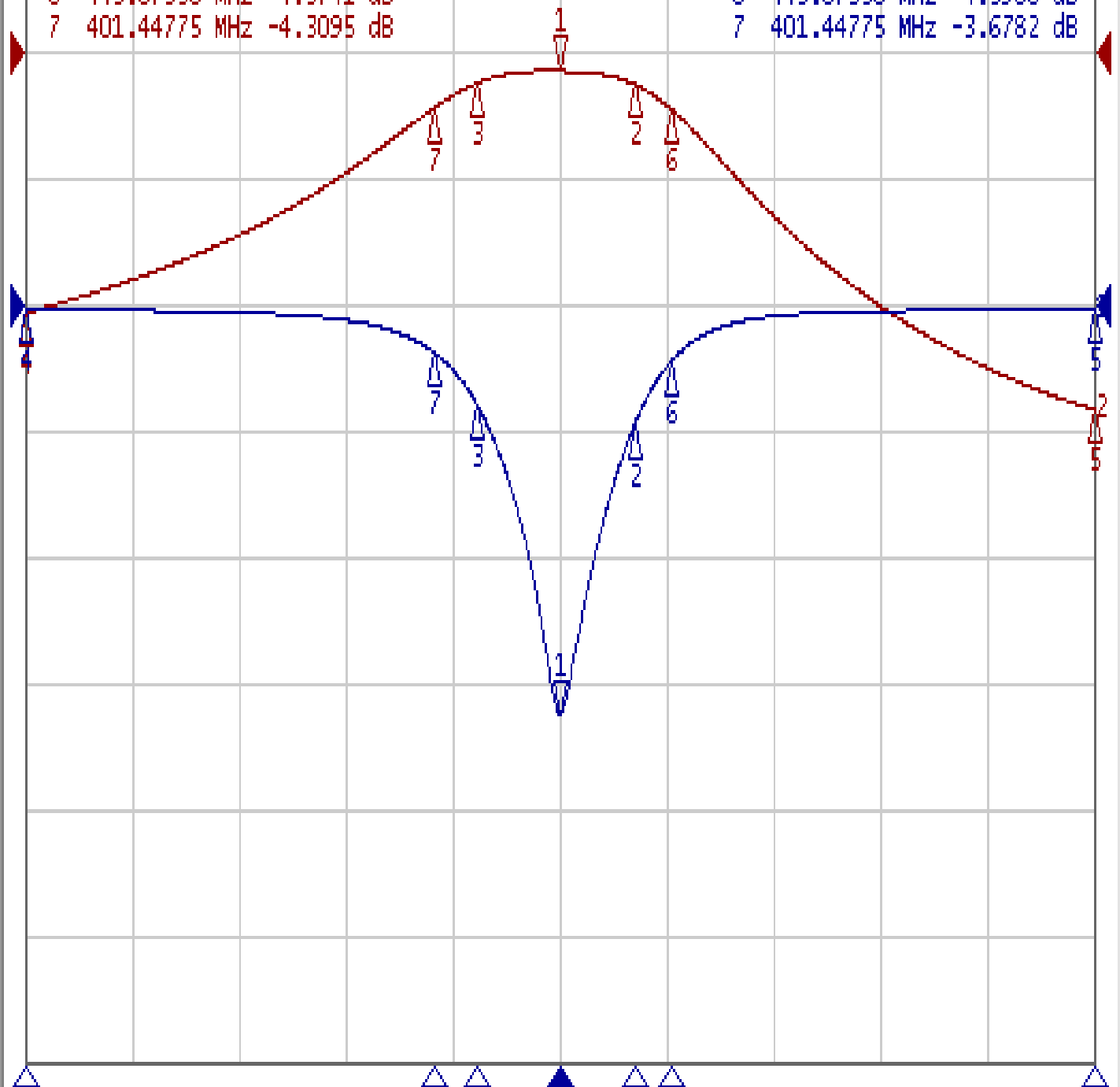
Performance-TDW2906B-425M

200901016CD

▶ Tr1 S11 Log Mag 10.00dB/ Ref 0.000dB [F3]
Tr2 S21 Log Mag 10.00dB/ Ref 0.000dB [F3]

1	425.00000 MHz	-1.3556 dB
2	439.07125 MHz	-2.4016 dB
3	409.45275 MHz	-2.3369 dB
4	325.00000 MHz	-20.554 dB
5	525.00000 MHz	-28.209 dB
6	445.87550 MHz	-4.3741 dB
7	401.44775 MHz	-4.3095 dB

>1	425.00000 MHz	-32.426 dB
2	439.07125 MHz	-9.3611 dB
3	409.45275 MHz	-7.7759 dB
4	325.00000 MHz	-0.2551 dB
5	525.00000 MHz	-0.2727 dB
6	445.87550 MHz	-4.3988 dB
7	401.44775 MHz	-3.6782 dB



1 Center 425 MHz

IFBW 10 kHz

Span 200 MHz

