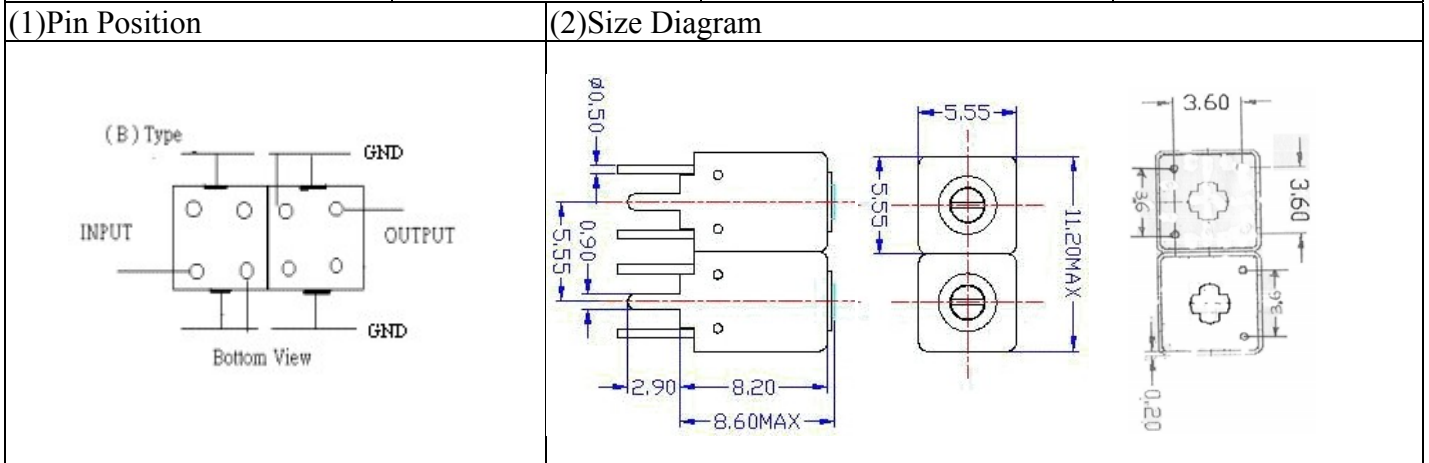


VHF UHF Helical Filter Specification Sheet

Customer Name		Temwell's Part No.	TDW2908B-525M
Approval No. /dated	0901018CD	Temwell's print Name.	2908B 525M
Work Instruction No.	200901018CD	Date	Feb.02.2009



(3) Electric Characteristic

Item	Specify	Performance
Center Freq.(Fo) +/- 0.5 %	525 MHz	525 MHz
Tunable Range:	525±3 MHz	525±3 MHz
Insertion Loss	Typ. 2.0 dB	1.34 dB
-3 dB Bandwidth	Typ. 40 MHz	44.1 MHz
Sensitivity (Attenuation)	Fo - 100 MHz	Typ. 20 dBc
	Fo + 100 MHz	Typ. 27 dBc
	Fo - ()MHz	Typ. dBc
	Fo + ()MHz	Typ. dBc
Return Loss	Min. 12 dB	24.0 dB
Ripple	< 1 dB	dB
Impedance	In / Out : 50 Ω	In / Out : 50 Ω

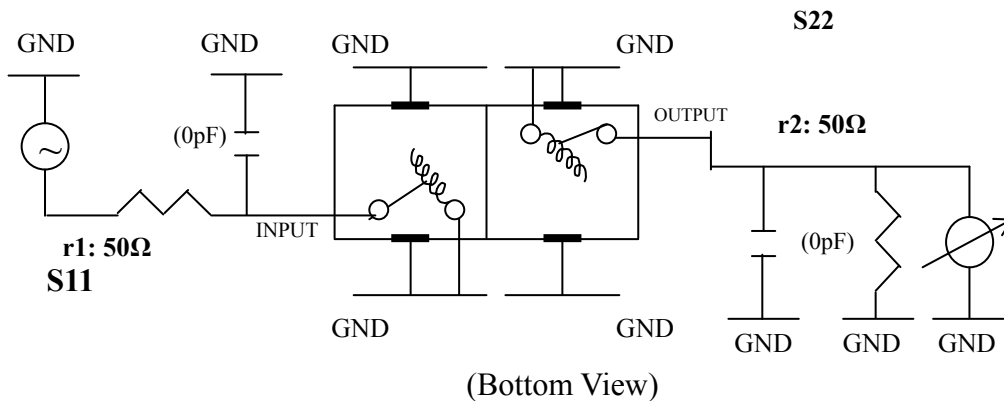
(4) Torque for Tuning Screw > 60gf • cm

(5) Temperature Condition:

Operating Temperature	0°C ~ +60°C
Storage Temperature	-20°C ~ +70°C

(6) Input Power > 0.5Watt

(7) Measuring Circuit: ※Easy to match Impedance 50Ω by parallel with about (0pF)/(0pF)

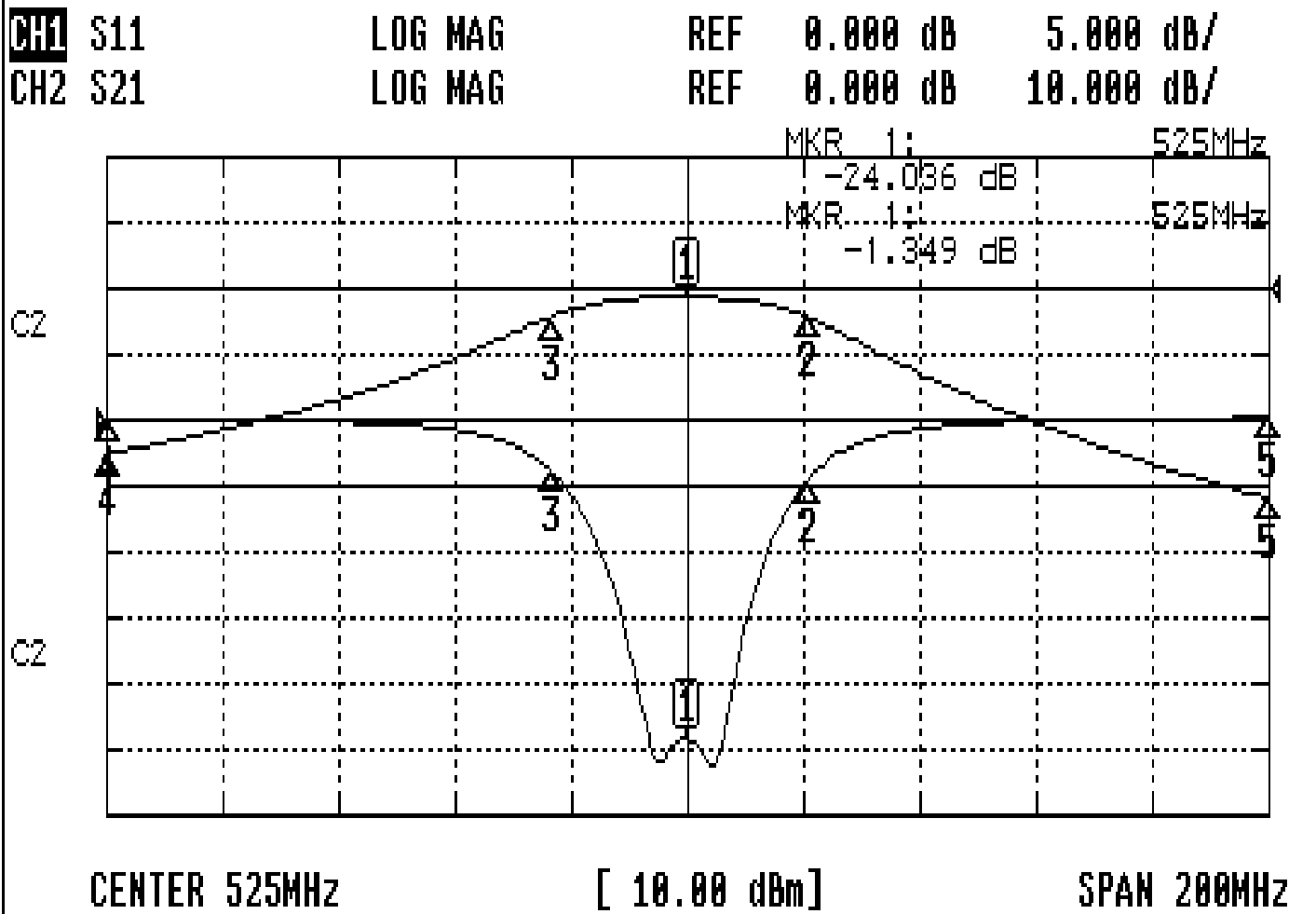


Approval C.Y.Chang	Supervisor C.S.Chang	Designer W..W.Wang	Aperture size 5W2S(3.8*3.5)(5.15) 5HW020RB4.5
-----------------------	-------------------------	-----------------------	---

TEMWELL CORPORATION

Performance-TDW2908B-525M

200901018CD



CH1 MARKER LIST

1:	525.000MHz	-24.036 dB
2:	545.666MHz	-4.576 dB
3:	501.500MHz	-3.817 dB
4:	425.000MHz	0.062 dB
5:	625.000MHz	0.169 dB

CH2 MARKER LIST

1:	525.000MHz	-1.349 dB
2:	545.666MHz	-4.344 dB
3:	501.500MHz	-4.322 dB
4:	425.000MHz	-25.030 dB
5:	625.000MHz	-31.953 dB