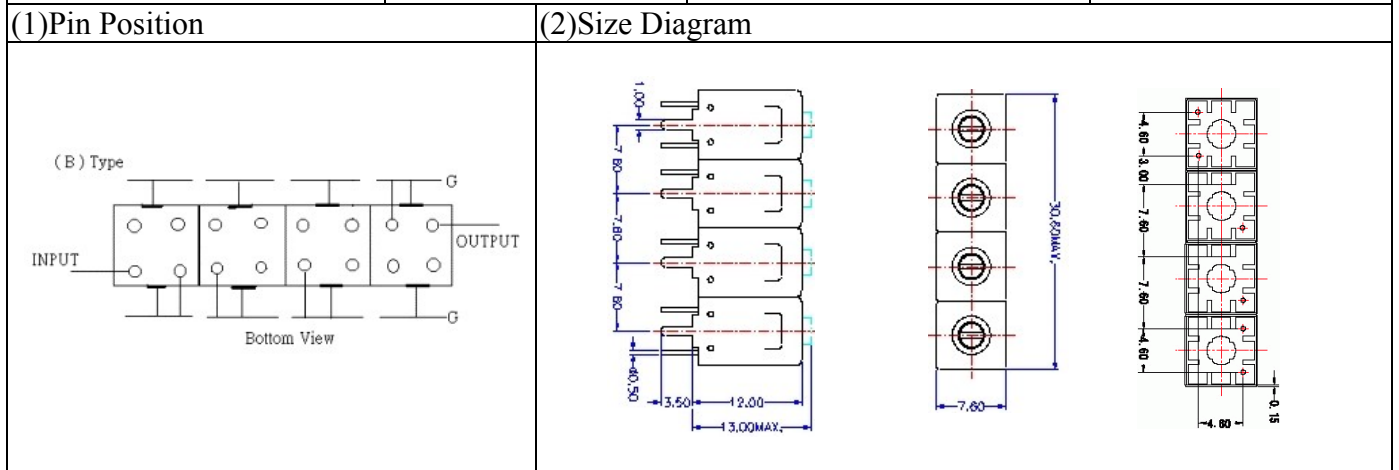
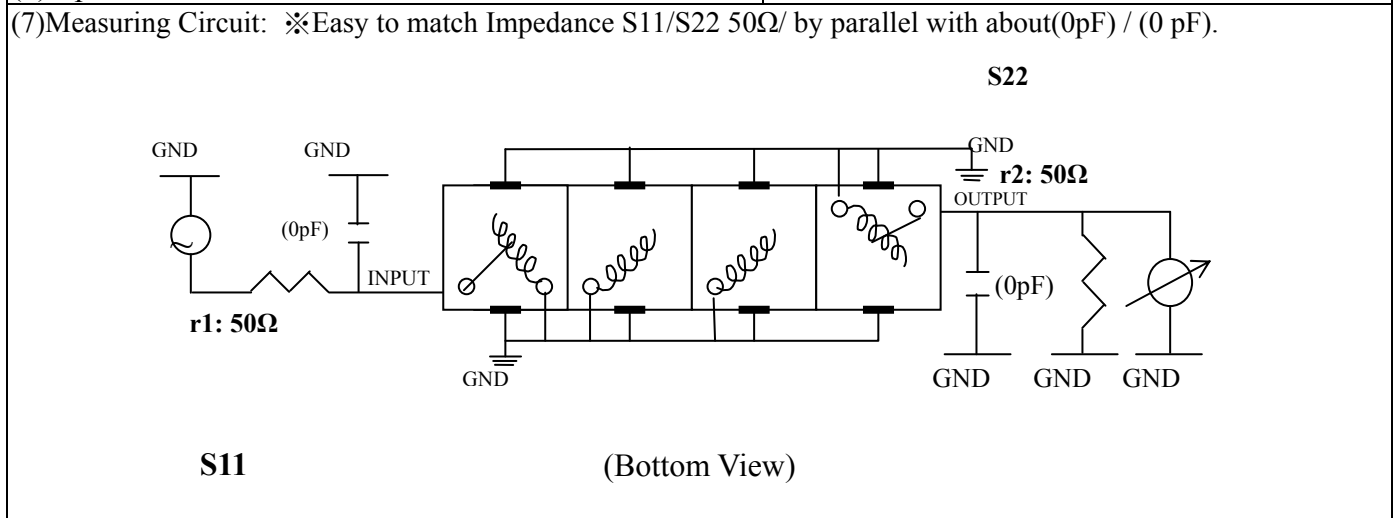


VHF UHF Helical Filter Specification Sheet

Customer Name		Temwell's Part No.	TF64206B-160M
Approval No. /dated	0901080CD	Temwell's Print Name	64206B 160M
Work Instruction No.	200901080CD	Date	Feb.19.2009



(3) Electric Characteristic			
Item		Specify	Performance
Center Freq.(Fo) +/- 0.5 %		160 MHz	160 MHz
Insertion Loss		Typ. 2.0 dB	1.00 dB
-3 dB Bandwidth		Typ. 18 MHz	19.5 MHz
Sensitivity (Attenuation)	Fo - 50 MHz	Typ. 47 dBc	50 dBc
	Fo + 50 MHz	Typ. 26 dBc	29 dBc
	Fo - ()MHz	Typ. dBc	dBc
	Fo +()MHz	Typ. dBc	dBc
Return Loss		Min. 12 dB	22.9 dB
Ripple		< 1 dB	dB
Impedance		In / Out : 50 Ω	In / Out : 50 Ω
(4) Torque for Tuning Screw		> 100gf · cm	
(5) Temperature Condition:			
Operating Temperature		0°C ~ +60°C	
Storage Temperature		-20°C ~ +70°C	
(6) Input Power		> 1Watt	



Approval	Supervisor	Designer	Aperture size
C.Y.Chang	C.S.Chang	C.S.Chang	7H4(4*7.5F)(7.56) (7H024RB6.5)

TEMWELL CORPORATION

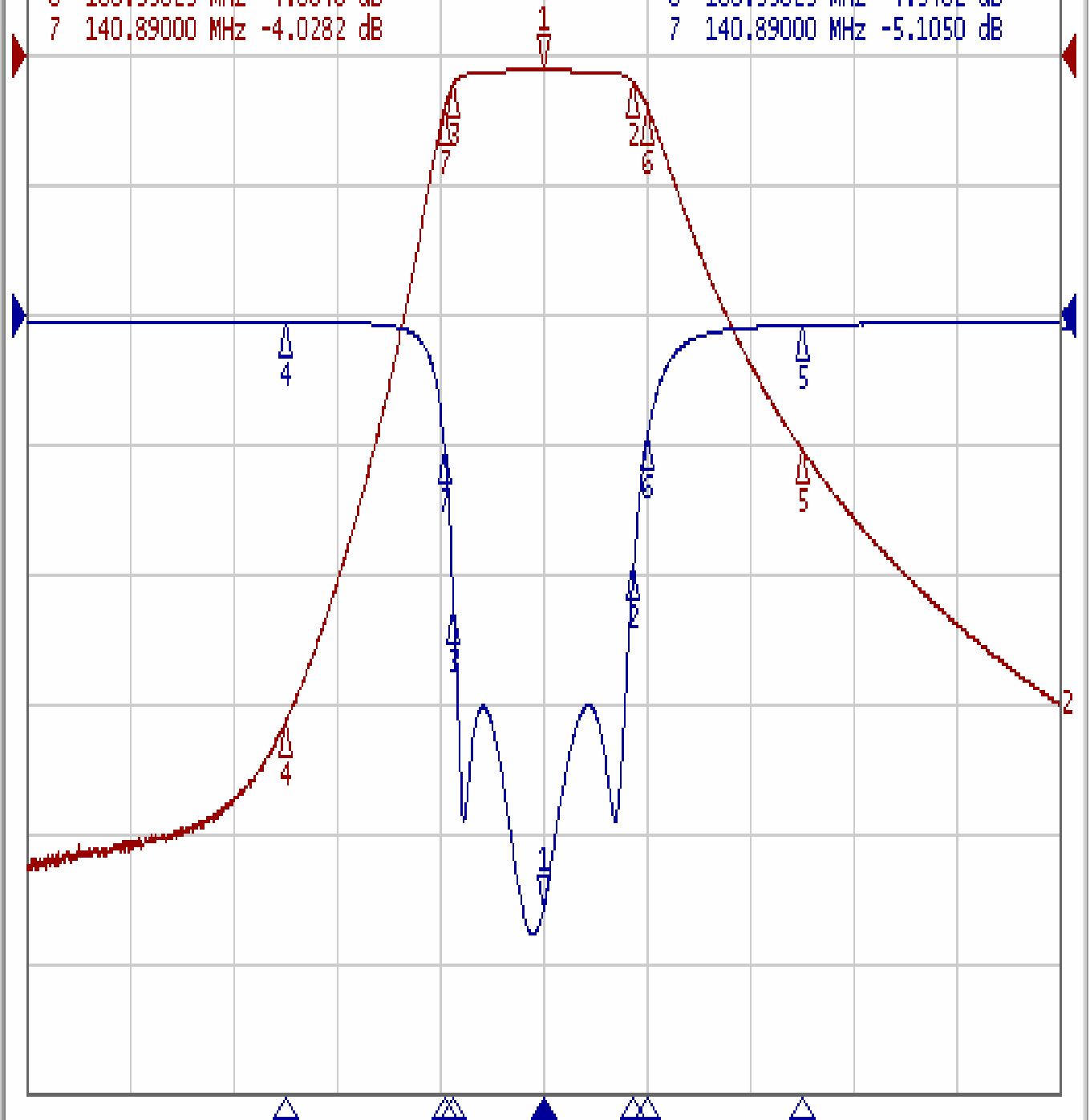
Performance-TF64206B-160M

200901080CD

Tr1 S11 Log Mag 5.000dB/ Ref 0.000dB [F3]
Tr2 S21 Log Mag 10.00dB/ Ref 0.000dB [F3]

1	160.00000 MHz	-1.0091 dB
2	177.54850 MHz	-2.0605 dB
3	142.72675 MHz	-2.0726 dB
4	110.00000 MHz	-51.453 dB
5	210.00000 MHz	-30.291 dB
6	180.35025 MHz	-4.0646 dB
7	140.89000 MHz	-4.0282 dB

>1	160.00000 MHz	-22.908 dB
2	177.54850 MHz	-9.6716 dB
3	142.72675 MHz	-11.357 dB
4	110.00000 MHz	-0.2193 dB
5	210.00000 MHz	-0.3694 dB
6	180.35025 MHz	-4.5462 dB
7	140.89000 MHz	-5.1050 dB



1 Center 160 MHz

IFBW 10 kHz

Span 200 MHz

