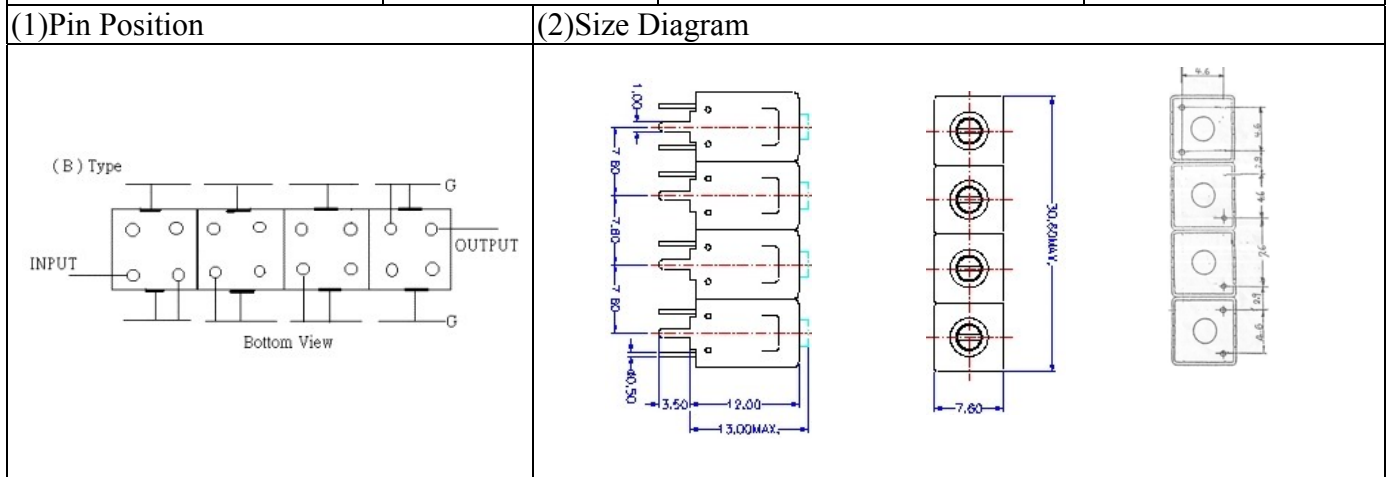
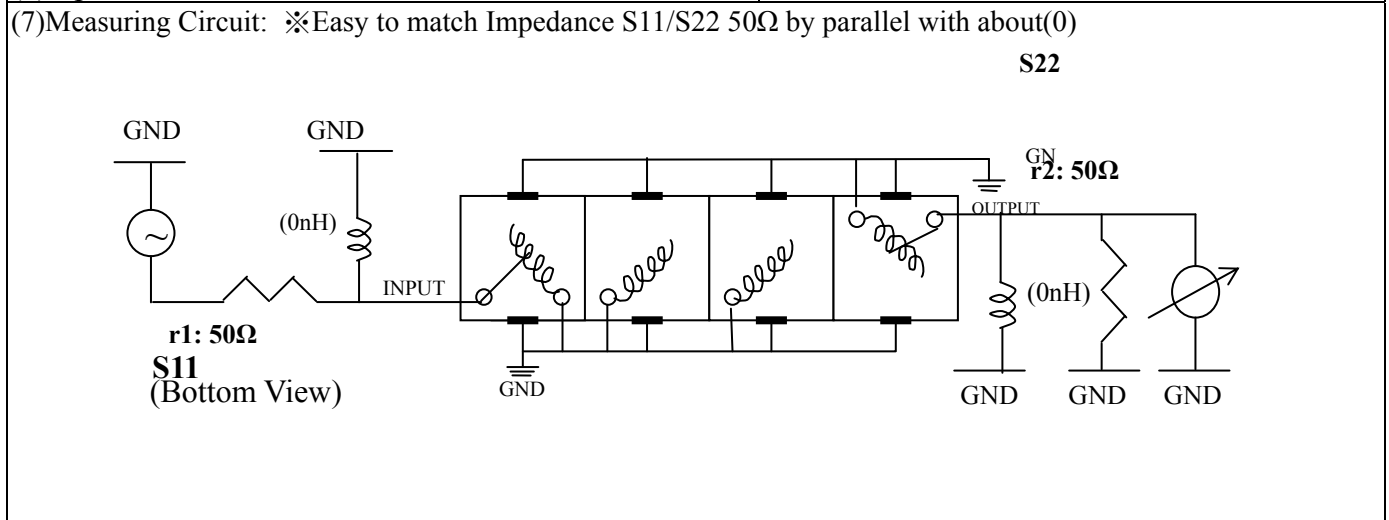


VHF UHF Helical Filter Specification Sheet

Customer Name		Temwell's Part No.	TF64207B-240M
Approval No. /dated	0707002APR	Acceptable Specify Fo Range	221~245MHz
Work Instruction No.	0707002DB	Date	Jul.12.2007



(3) Electric Characteristic					
Item		Specify		Performance	
Center Freq.(Fo) +/- 0.5 %		240 MHz		240 MHz	
Insertion Loss		Typ. 2.0 dB		1.14 dB	
-3 dB Bandwidth		Typ. 53 MHz		54.9 MHz	
Sensitivity (Attenuation)	Fo - 50 MHz	Typ. 34 dBc		37 dBc	
	Fo + 50 MHz	Typ. 18 dBc		22 dBc	
	Fo - ()MHz	Typ. dBc		dBc	
	Fo +()MHz	Typ. dBc		dBc	
Return Loss		Min. 12 dB		27.2 dB	
Ripple		< 1 dB		dB	
Impedance		In / Out : 50 Ω		In / Out : 50 Ω	
(4) Torque for Tuning Screw		> 100gf · cm			
(5) Temperature Condition:					
Operating Temperature		0°C ~ +60°C			
Storage Temperature		-20°C ~ +70°C			
(6) Input Power		> 1Watt			



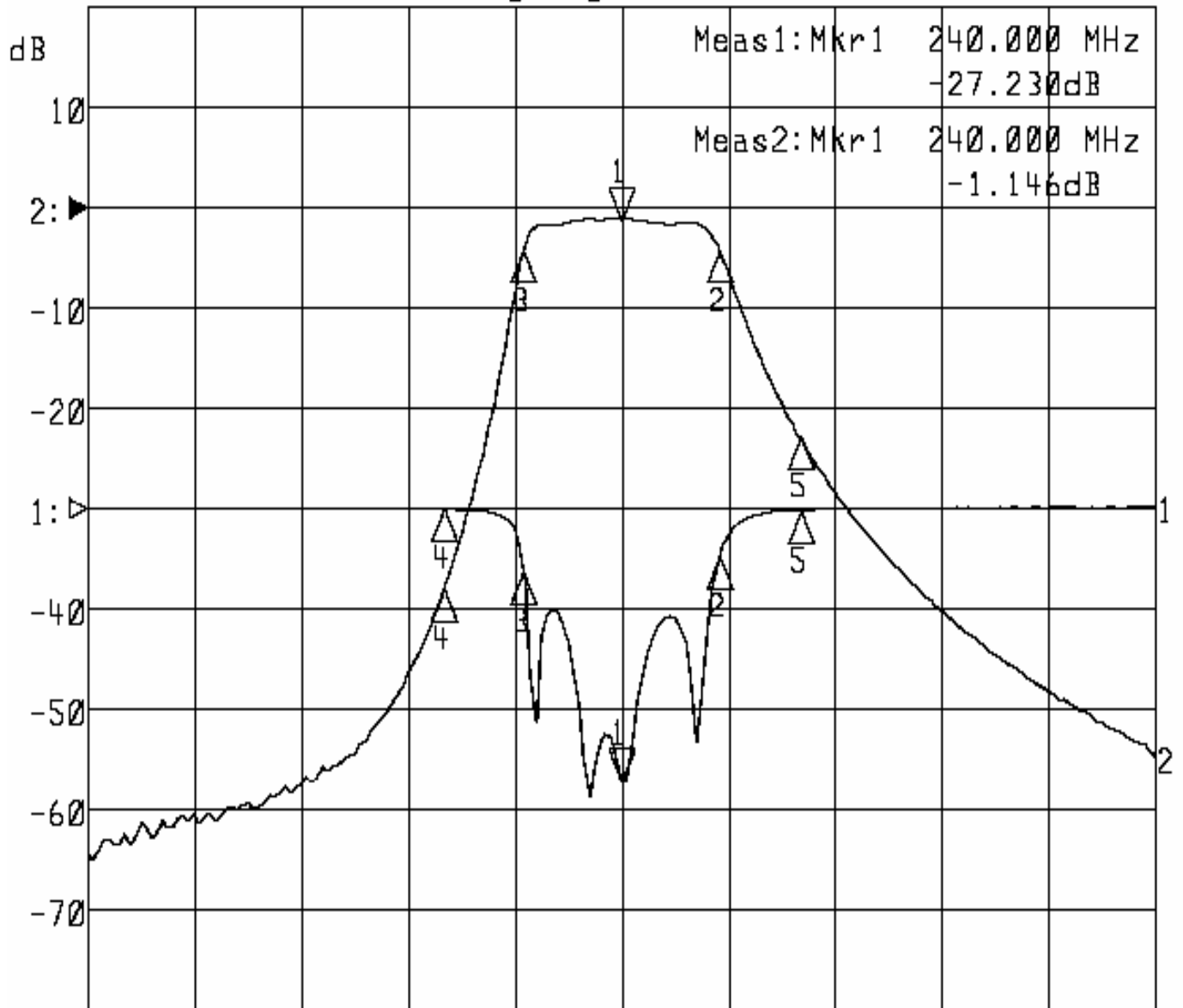
Approval	Supervisor	Designer	Aperture size
C.Y.Chang	C.S.Chang	C.S.Chang	7H4(4*7.5) 7H046RB6.5
TEMWELL		CORPORATION	

Performance-TF64207B-240M

0707002DB

▷1:S11 Refl Port1 Log Mag 10.0 dB/ Ref 0.00 dB C?

▶2:S21 Fwd Trans Log Mag 10.0 dB/ Ref 0.00 dB



Center 240.000 MHz

Span 300.000 MHz

1: Mkr (MHz)	dB	2: Mkr (MHz)	dB
1> 240.0000	-27.230	1> 240.0000	-1.146
2: 267.4000	-4.843	2: 267.4000	-4.133
3: 212.5000	-6.192	3: 212.5000	-4.131
4: 190.0000	-0.089	4: 190.0000	-38.016
5: 290.0000	-0.148	5: 290.0000	-22.860