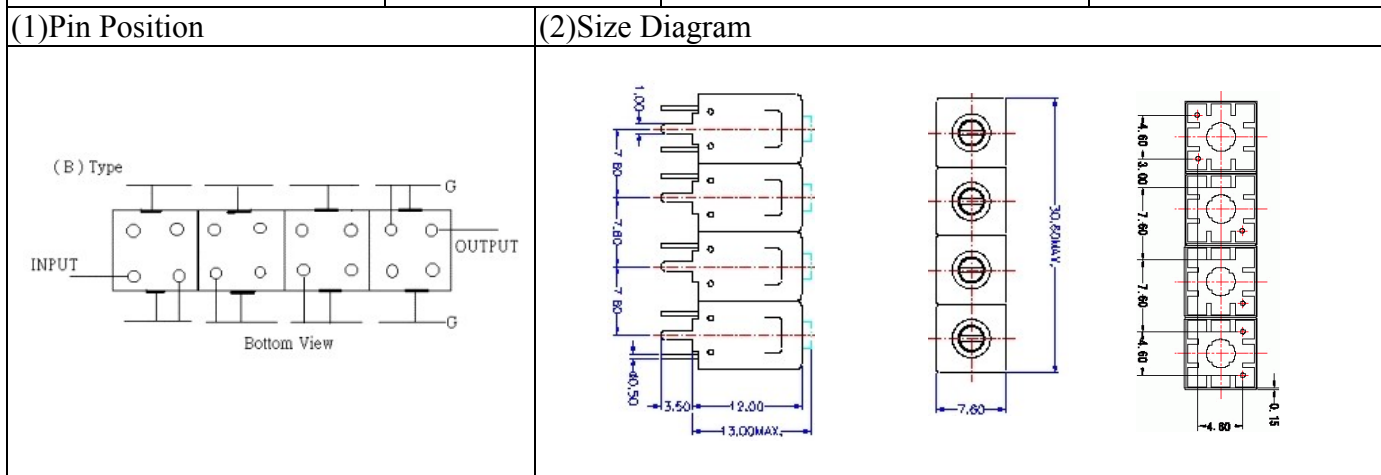


VHF UHF Helical Filter Specification Sheet

Customer Name		Temwell's Part No.	TF64214B-450M
Approval No. /dated	0712064APR	Acceptable Specify Fo Range	401~455MHz
Work Instruction No.	0712064BD	Date	Jan.10.2008



(3) Electric Characteristic

Item	Specify	Performance	
Center Freq.(Fo) +/- 0.5 %	450 MHz	450 MHz	
Insertion Loss	Typ. 1.5 dB	0.86 dB	
-3 dB Bandwidth	Typ. 110 MHz	113.4 MHz	
Sensitivity (Attenuation)	Fo - 200 MHz	Typ. 59 dBc	62 dBc
	Fo + 200 MHz	Typ. 33 dBc	36 dBc
	Fo - ()MHz	Typ. dBc	dBc
	Fo +()MHz	Typ. dBc	dBc
Return Loss	Min. 12 dB	18.0 dB	
Ripple	< 1 dB	dB	
Impedance	In / Out : 50 Ω	In / Out : 50 Ω	

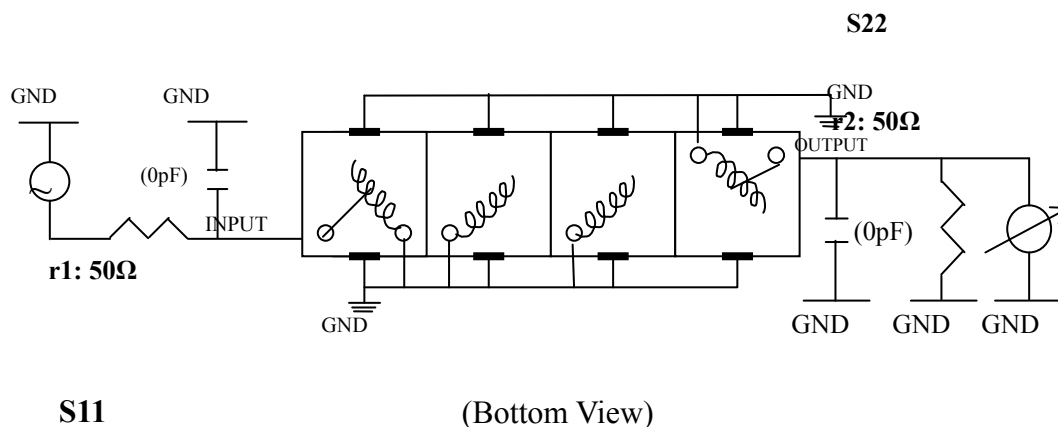
(4) Torque for Tuning Screw > 100gf • cm

(5) Temperature Condition:

Operating Temperature	0°C ~ +60°C
Storage Temperature	-20°C ~ +70°C

(6) Input Power > 1Watt

(7) Measuring Circuit: ※Easy to match Impedance S11/S22 50Ω by parallel with about(0pF) / (0 pF).



Approval	Supervisor	Designer	Aperture size
C.Y.Chang	C.S.Chang	C.S.Chang	7H4(4*8.0) 7H046RB6.5

TEMWELL CORPORATION

Performance-TF64214B-450M

0712064BD

