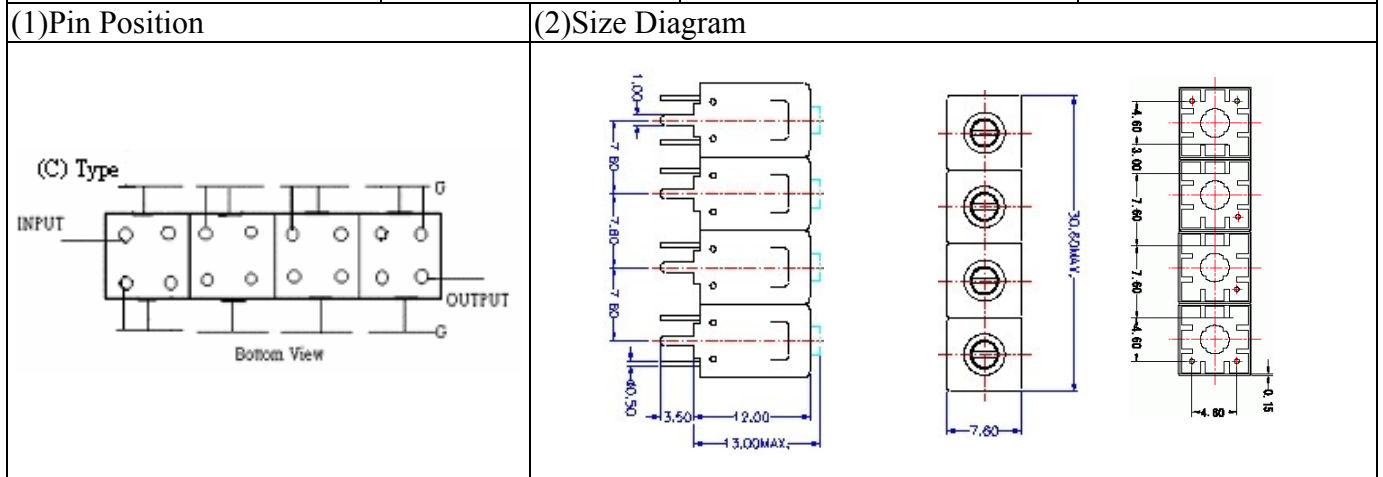


# VHF UHF Helical Filter Specification Sheet

Customer Name		Temwell's Part No.	TF64217C-118M
Approval No. /dated	0801020APR	Acceptable Fo Specify Range	108~125MHz
Work Instruction No.	0801020CD	Date	Jan.15.2008

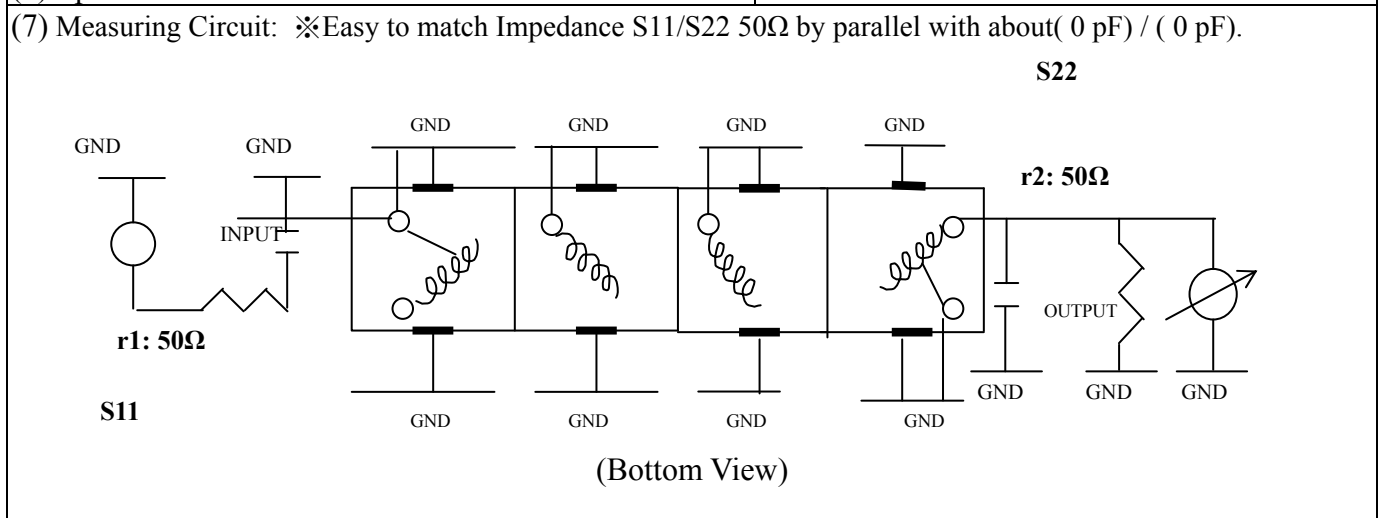


(3) Electric Characteristic

Item	Specify	Performance	
Center Freq.(Fo) +/- 0.5 %	118 MHz	118 MHz	
Insertion Loss	Typ. 2.0 dB	1.18 dB	
-3 dB Bandwidth	Typ. 23 MHz	24.0 MHz	
Sensitivity (Attenuation)	Fo - 30 MHz	Typ. 43 dBc	46 dBc
	Fo + 30 MHz	Typ. 32 dBc	35 dBc
	Fo - ( )MHz	Typ. dBc	dBc
	Fo + ( )MHz	Typ. dBc	dBc
Return Loss	Min. 12 dB	20.5 dB	
Ripple	< 1 dB	dB	
Impedance	In / Out : 50 Ω	In / Out : 50 Ω	
(4) Torque for Tuning Screw	> 100gf • cm		

(5) Temperature Condition:

Operating Temperature	0°C ~ +60°C
Storage Temperature	-20°C ~ +70°C
(6) Input Power	> 1Watt

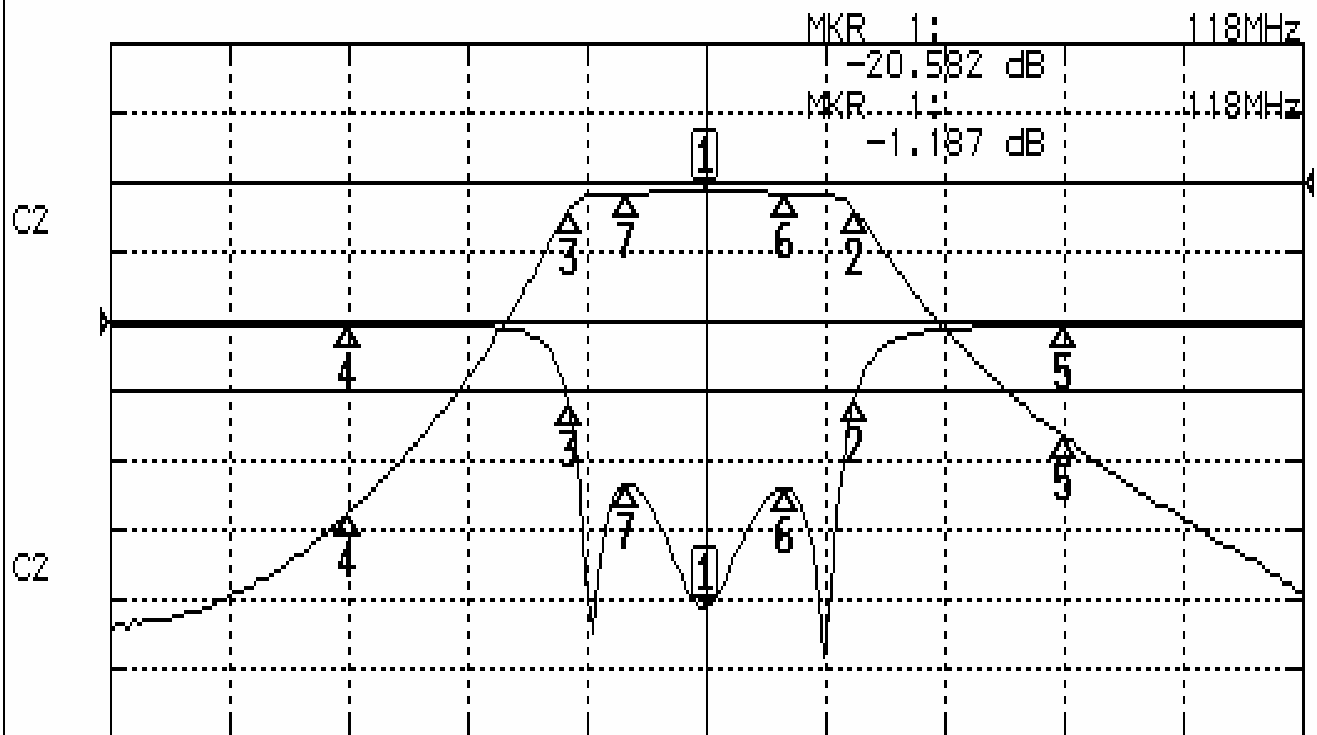


Approval	Supervisor	Designer	Aperture size
C.Y.Chang	C.S.Chang	P.H.Chiang	7H4(4*6.5)F 7H024LB6.5

# Performance-TF64217C-118M

## 0801020CD

**CH1** S11                      LOG MAG                      REF    0.000 dB            5.000 dB/  
**CH2** S21                      LOG MAG                      REF    0.000 dB            10.000 dB/



**CENTER 118MHz**

**[ 10.00 dBm ]**

**SPAN 100MHz**

### CH1 MARKER LIST

1	118.000MHz	-20.582	dB
2	130.500MHz	-11.677	dB
3	106.500MHz	-10.873	dB
4	88.000MHz	-10.202	dB
5	148.000MHz	-10.321	dB
6	124.866MHz	-11.976	dB
7	111.333MHz	-11.709	dB

### CH2 MARKER LIST

1	118.000MHz	-1.187	dB
2	130.500MHz	-4.061	dB
3	106.500MHz	-4.128	dB
4	88.000MHz	-4.430	dB
5	148.000MHz	-3.662	dB
6	124.866MHz	-1.542	dB
7	111.333MHz	-1.636	dB