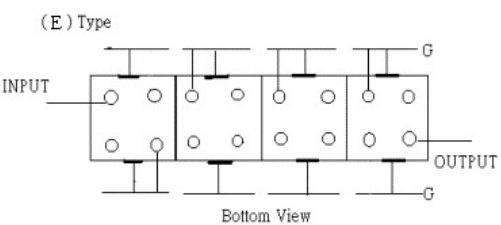
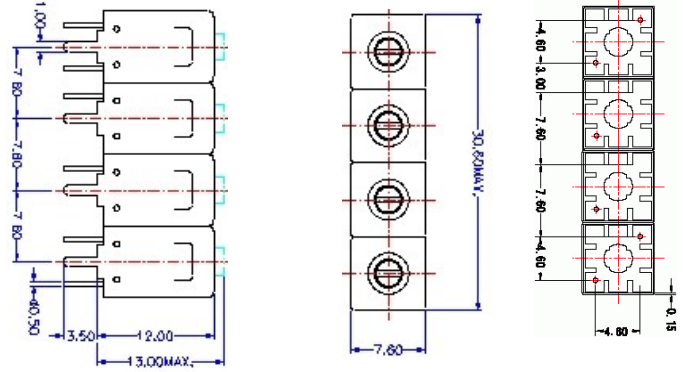
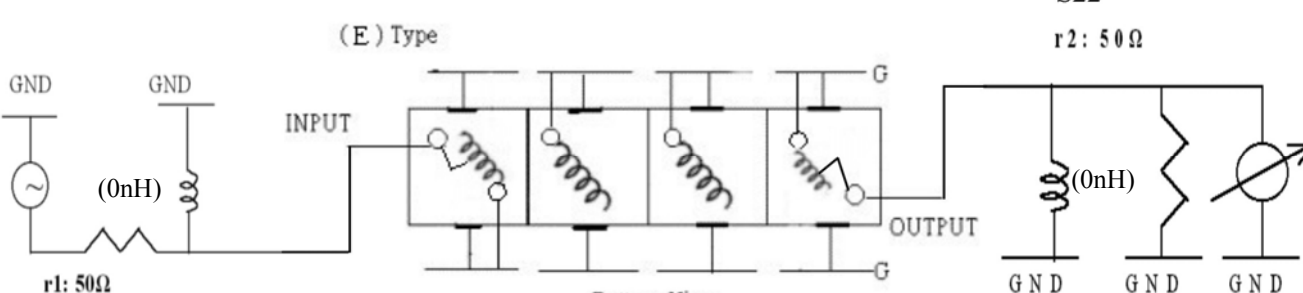


VHF UHF Helical Filter Specification Sheet

Customer Name		Temwell's Part No.	TF64219E-330M
Approval No. /dated	0801092APR	Acceptable Specify Fo Range	311~355MHz
Work Instruction No.	0801092CD	Date	Jan.31.2008

(1) Pin Position	(2) Size Diagram
 <p>(E) Type INPUT OUTPUT Bottom View</p>	

(3) Electric Characteristic			
Item		Specify	Performance
Center Freq.(Fo) +/- 0.5 %		330 MHz	330 MHz
Insertion Loss		Typ. 2.5 dB	1.66 dB
-3 dB Bandwidth		Typ. 25 MHz	28.4 MHz
Sensitivity (Attenuation)	Fo - 40 MHz	Typ. 47 dB	50 dB
	Fo + 40 MHz	Typ. 38 dB	41 dB
	Fo - ()MHz	Typ. dB	dB
	Fo +()MHz	Typ. dB	dB
Return Loss		Min. 12 dB	14.9 dB
Ripple		< 1 dB	dB
Impedance		In / Out : 50 Ω	In / Out : 50 Ω
(4) Torque for Tuning Screw > 100gf · cm			
(5) Temperature Condition:			
Operating Temperature		0°C ~ +60°C	
Storage Temperature		-20°C ~ +70°C	
(6) Input Power		> 1Watt	

(7) Measuring Circuit: ※Easy to match Impedance S11/S22 50Ω by parallel with about(0nH) / (0nH)			
 <p>(E) Type INPUT OUTPUT Bottom View r1: 50Ω S11 r2: 50Ω S22</p>			

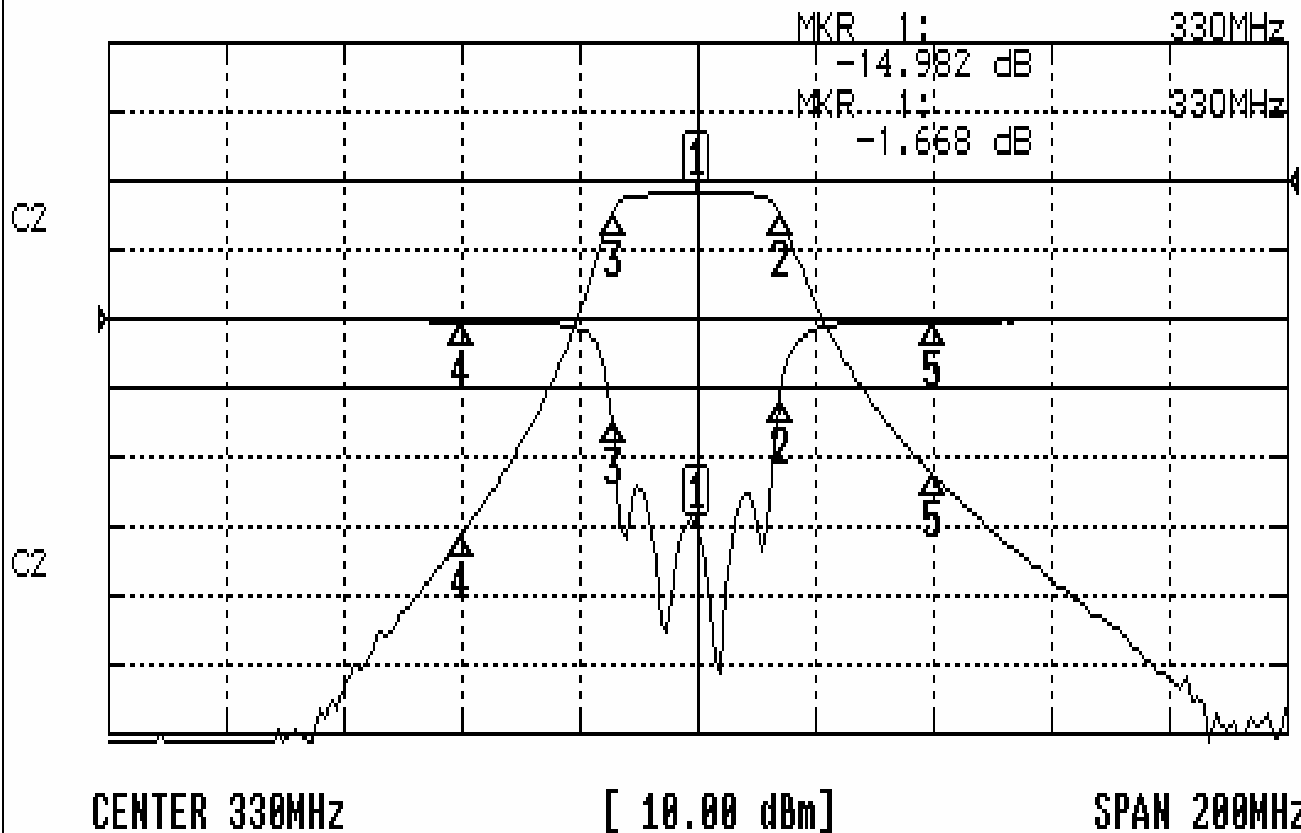
Approval	Supervisor	Designer	Aperture size
C.Y.Chang	C.S.Chang	P.H.Chiang	7H4(4*6.5)F 7H046LB5

TEMWELL CORPORATION

Performance-TF64219E-330M

0801092CD

CH1 S11 LOG MAG REF 0.000 dB 5.000 dB/
CH2 S21 LOG MAG REF 0.000 dB 10.000 dB/



CH1 MARKER LIST

1:	330.000MHz	-14.982 dB
2:	344.000MHz	-5.819 dB
3:	315.666MHz	-7.447 dB
4:	290.000MHz	-0.167 dB
5:	370.000MHz	-0.182 dB
6:		
7:		
8:		
9:		
10:		

CH2 MARKER LIST

1:	330.000MHz	-1.668 dB
2:	344.000MHz	-4.721 dB
3:	315.666MHz	-4.688 dB
4:	290.000MHz	-51.385 dB
5:	370.000MHz	-42.590 dB
6:		
7:		
8:		
9:		
10:		