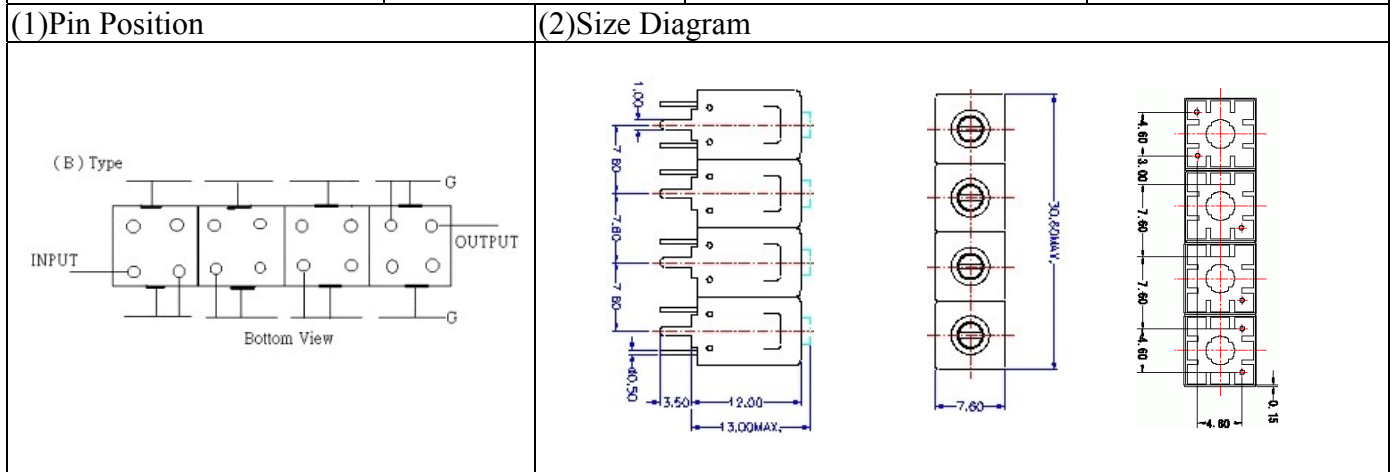


VHF UHF Helical Filter Specification Sheet

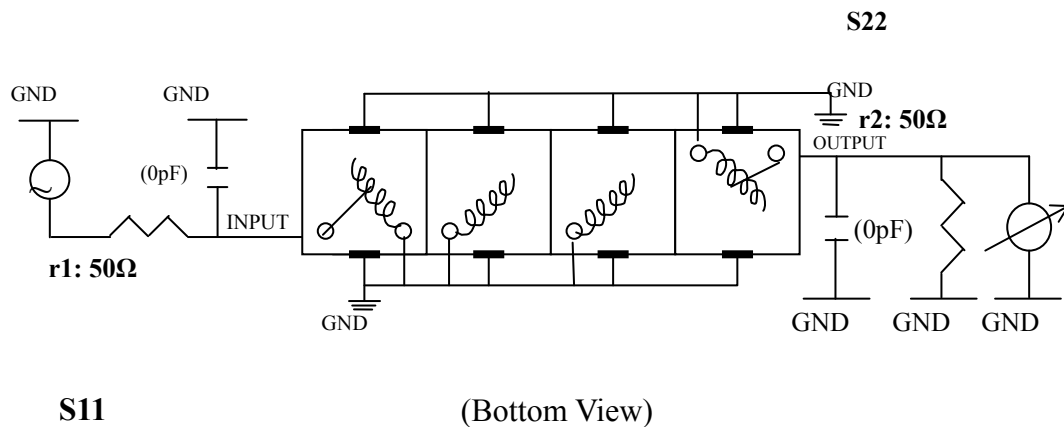
Customer Name		Temwell's Part No.	TF64220B-155M
Approval No. /dated	0901079APR	Temwell's Print Name	64220B 155M
Work Instruction No.	200901079CD	Date	Feb.13.2009



(3) Electric Characteristic

Item	Specify	Performance	
Center Freq.(Fo) +/- 0.5 %	155 MHz	155 MHz	
Insertion Loss	Typ. 2.0 dB	0.95 dB	
-3 dB Bandwidth	Typ. 38 MHz	41.2 MHz	
Sensitivity (Attenuation)	Fo - 50 MHz	Typ. 47 dBc	50 dBc
	Fo + 50 MHz	Typ. 27 dBc	30 dBc
	Fo - ()MHz	Typ. dBc	dBc
	Fo +()MHz	Typ. dBc	dBc
Return Loss	Min. 12 dB	30.3 dB	
Ripple	< 1 dB	dB	
Impedance	In / Out : 50 Ω	In / Out : 50 Ω	
(4) Torque for Tuning Screw	> 100gf · cm		
(5) Temperature Condition:			
Operating Temperature	0°C ~ +60°C		
Storage Temperature	-20°C ~ +70°C		
(6) Input Power	> 1Watt		

(7) Measuring Circuit: ※ Easy to match Impedance S11/S22 50Ω/ by parallel with about(0pF) / (0 pF).



Approval	Supervisor	Designer	Aperture size
C.Y.Chang	C.S.Chang	C.S.Chang	7H4(4*7.5F)(7.59) (7H024RB6.5)

TEMWELL CORPORATION

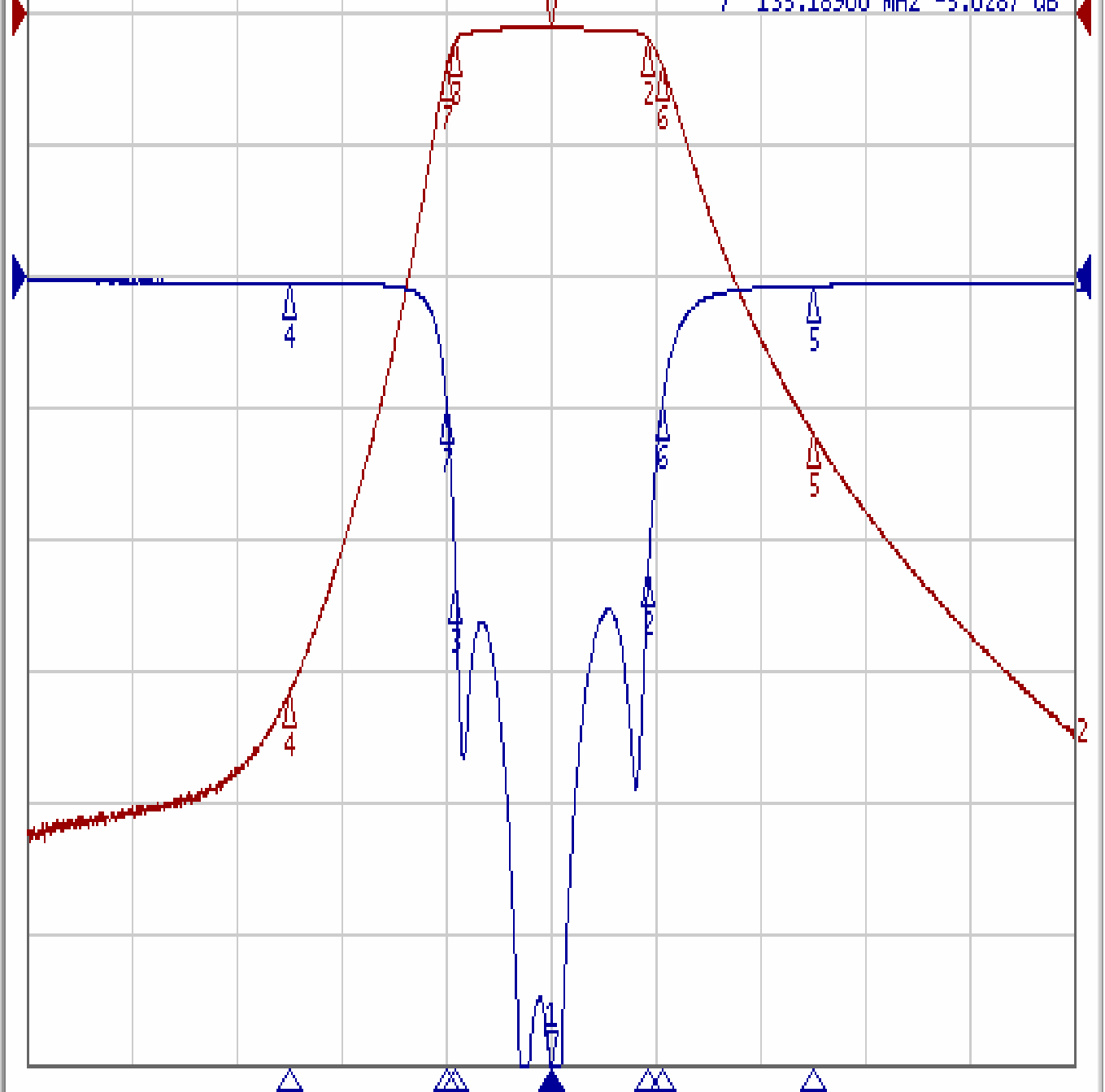
Performance-TF64220B-155M

200901079CD

Tr1 S11 Log Mag 5.000dB/ Ref 0.000dB [F3]
Tr2 S21 Log Mag 10.000dB/ Ref 0.000dB [F3]

1	155.00000	MHz	-0.9518	dB
2	173.69900	MHz	-1.9308	dB
3	136.92625	MHz	-1.9844	dB
4	105.00000	MHz	-51.712	dB
5	205.00000	MHz	-31.924	dB
6	176.35475	MHz	-3.9598	dB
7	135.18900	MHz	-3.9882	dB

>1	155.00000	MHz	-30.380	dB
2	173.69900	MHz	-11.220	dB
3	136.92625	MHz	-11.905	dB
4	105.00000	MHz	-0.2046	dB
5	205.00000	MHz	-0.3386	dB
6	176.35475	MHz	-4.8189	dB
7	135.18900	MHz	-5.0287	dB



1 Center 155 MHz

IFBW 10 kHz

Span 200 MHz

