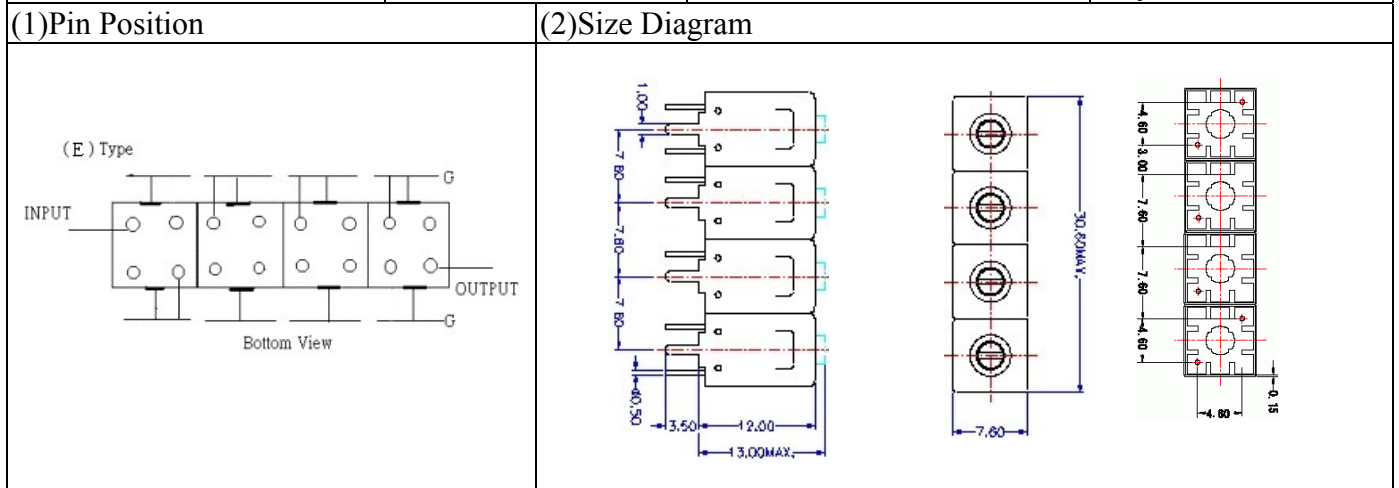


VHF UHF Helical Filter Specification Sheet

Customer Name		Temwell's Part No.	TF64231E-152M
Approval No. /dated	0804079CD	Acceptable Specify Fo Range	146~165MHz
Work Instruction No.	0804079CD	Date	May.05.2008



(3) Electric Characteristic

Item	Specify	Performance
Center Freq.(Fo) +/- 0.5 %	152 MHz	152 MHz
Insertion Loss	Typ. 4.0 dB	3.03 dB
-1 dB Bandwidth	Typ. 4 MHz	6.7 MHz
-3 dB Bandwidth	Typ. 8 MHz	10.0 MHz
Sensitivity (Attenuation)	Fo - 30 MHz	Typ. 70 dBc
	Fo + 30 MHz	Typ. 60 dBc
	Fo - ()MHz	Typ. dBc
	Fo +()MHz	Typ. dBc
Return Loss	Min. 12 dB	25.6 dB
Ripple	< 1 dB	
Impedance	In / Out : 50 Ω	In / Out : 50 Ω

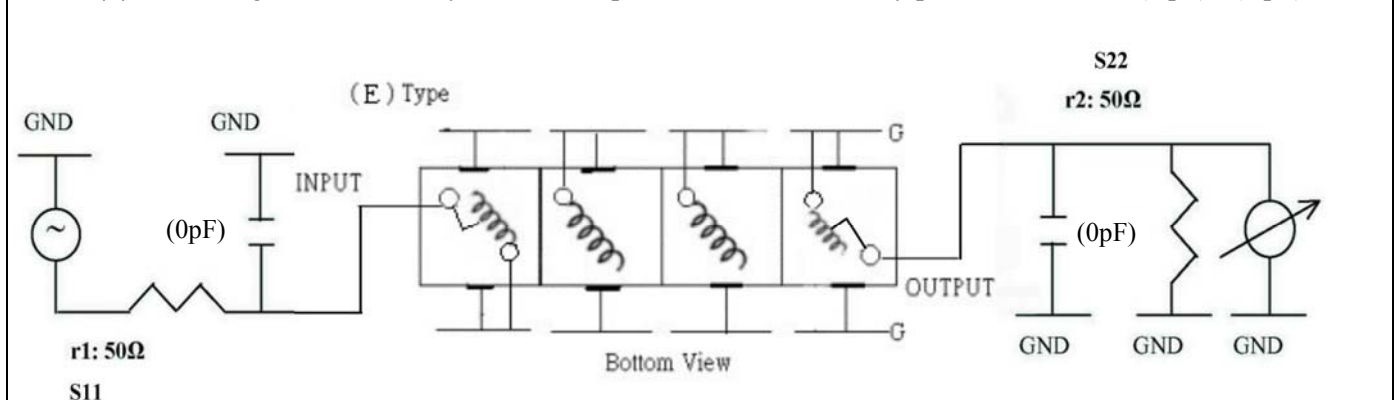
(4) Torque for Tuning Screw

> 100gf • cm

(5) Temperature Condition:

Operating Temperature	0°C ~ +60°C
Storage Temperature	-20°C ~ +70°C
(6) Input Power	> 1Watt

(7) Measuring Circuit: ※Easy to match Impedance S11/S22 50Ω by parallel with about(0pF) / (0pF)

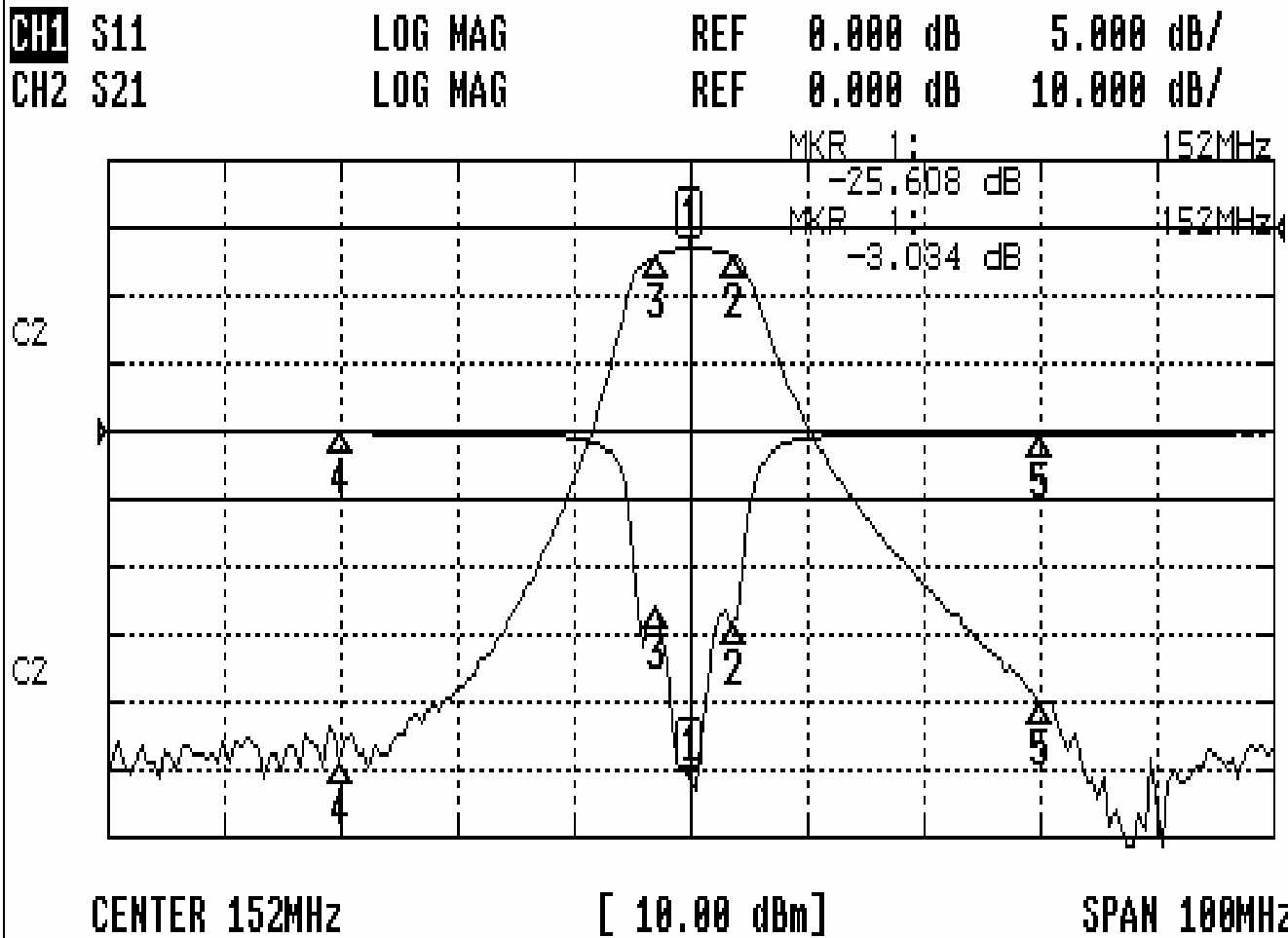


Approval	Supervisor	Designer	Aperture size
C.Y.Chang	C.S.Chang	Y.H.Chuan	7H4(4*7.35F) (7H024LB4)

TEMWELL CORPORATION

Performance-TF64231E-152M

0804079CD



CH1 MARKER LIST

1	152.000MHz	-25.608 dB
2	155.750MHz	-14.002 dB
3	149.000MHz	-12.940 dB
4	172.000MHz	-0.136 dB
5	182.000MHz	-0.166 dB

CH2 MARKER LIST

1	152.000MHz	-3.034 dB
2	155.750MHz	-4.047 dB
3	149.000MHz	-4.048 dB
4	172.000MHz	-78.657 dB
5	182.000MHz	-69.846 dB