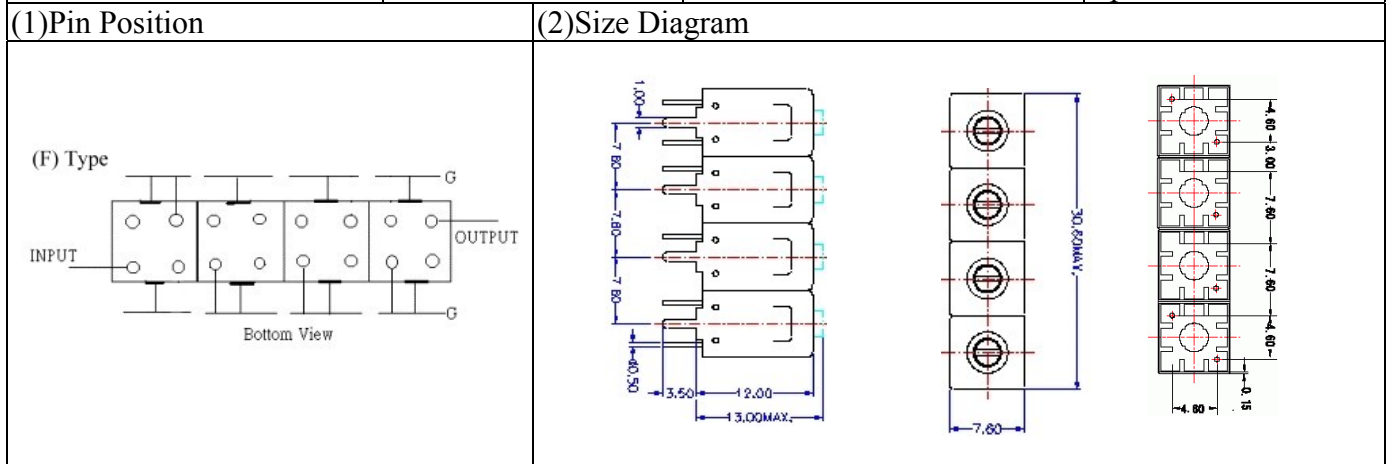


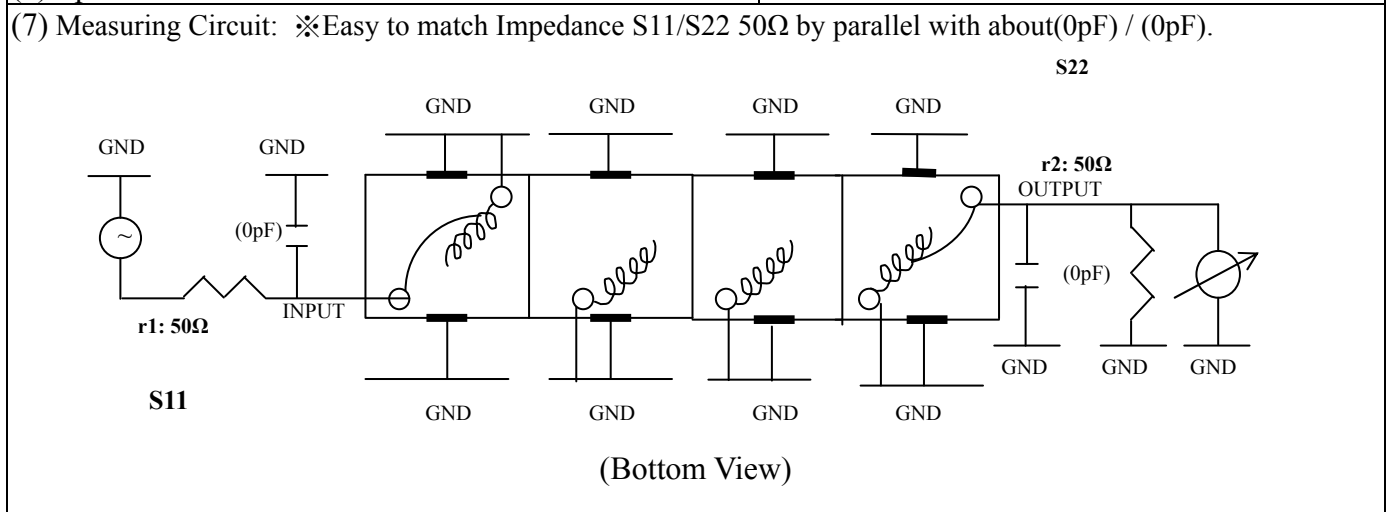
VHF UHF Helical Filter Specification Sheet

Customer Name		Temwell's Part No.	TF64231F-172M
Approval No. /dated	0804059APR	Acceptable Fo Specify Range	166~195MHz
Work Instruction No.	0804059CD	Date	Apr.26.2008



(3) Electric Characteristic		Item	Specify	Performance
Center Freq.(Fo) +/- 0.5 %			172 MHz	172 MHz
Insertion Loss		Typ.	4.0 dB	3.18 dB
-1 dB Bandwidth		Typ.	4 MHz	5.9 MHz
-3 dB Bandwidth		Typ.	6 MHz	7.0 MHz
Sensitivity (Attenuation)	Fo - (20) MHz	Typ.	61 dBc	64 dBc
	Fo + (20) MHz	Typ.	44 dBc	47 dBc
	Fo - () MHz	Typ.	dBc	dBc
	Fo + () MHz	Typ.	dBc	dBc
Return Loss		Min.	12 dB	24.1 dB
Ripple			< 1 dB	dB
Impedance			In / Out : 50 Ω	In / Out : 50 Ω
(4) Torque for Tuning Screw			> 100gf · cm	

(5) Temperature Condition:	
Operating Temperature	0°C ~ +60°C
Storage Temperature	-20°C ~ +70°C
(6) Input Power	> 1Watt

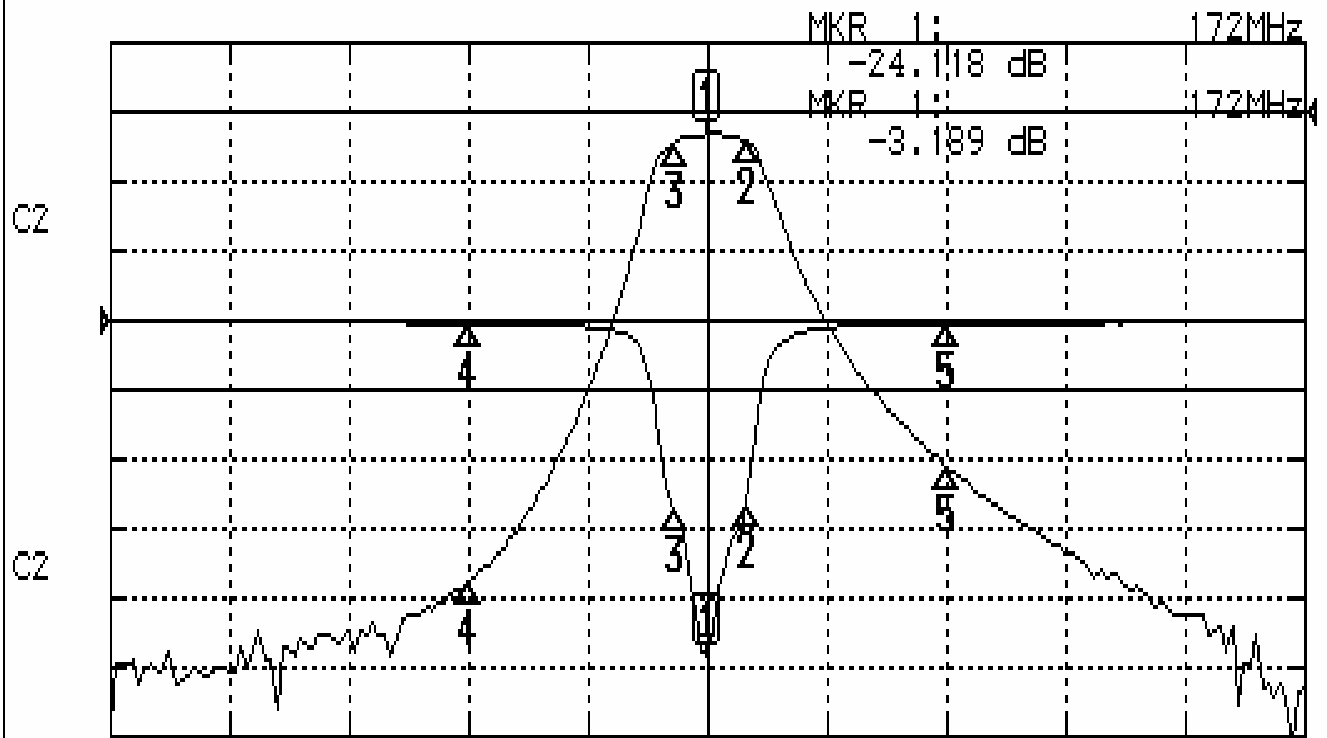


Approval	Supervisor	Designer	Aperture size
C.Y.Chang	C.S.Chang	P.H.Chiang	7H4(4*6.5F) 7H024LB4

Performance-TF64231F-172M

0804059CD

CH1 S11 LOG MAG REF 0.000 dB 5.000 dB/
CH2 S21 LOG MAG REF 0.000 dB 10.000 dB/



CENTER 172MHz

[10.00 dBm]

SPAN 100MHz

CH1 MARKER LIST

1	172.000MHz	-24.118 dB
2	175.250MHz	-13.272 dB
3	169.333MHz	-13.690 dB
4	152.000MHz	-0.168 dB
5	192.000MHz	-0.203 dB

CH2 MARKER LIST

1	172.000MHz	-3.189 dB
2	175.250MHz	-4.113 dB
3	169.333MHz	-4.158 dB
4	152.000MHz	-68.021 dB
5	192.000MHz	-50.960 dB