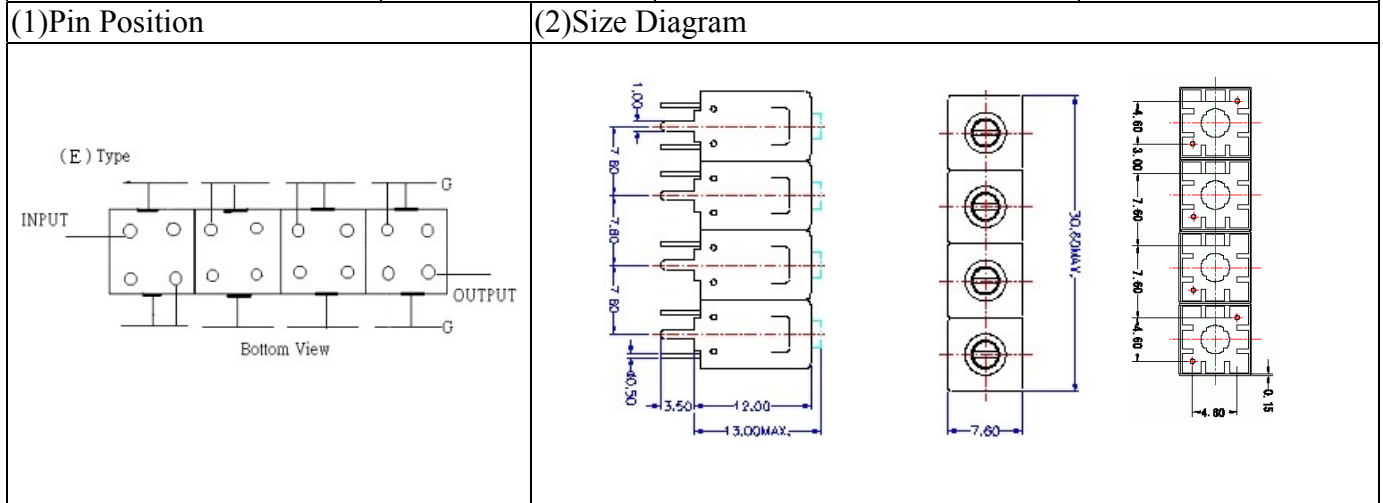


VHF UHF Helical Filter Specification Sheet

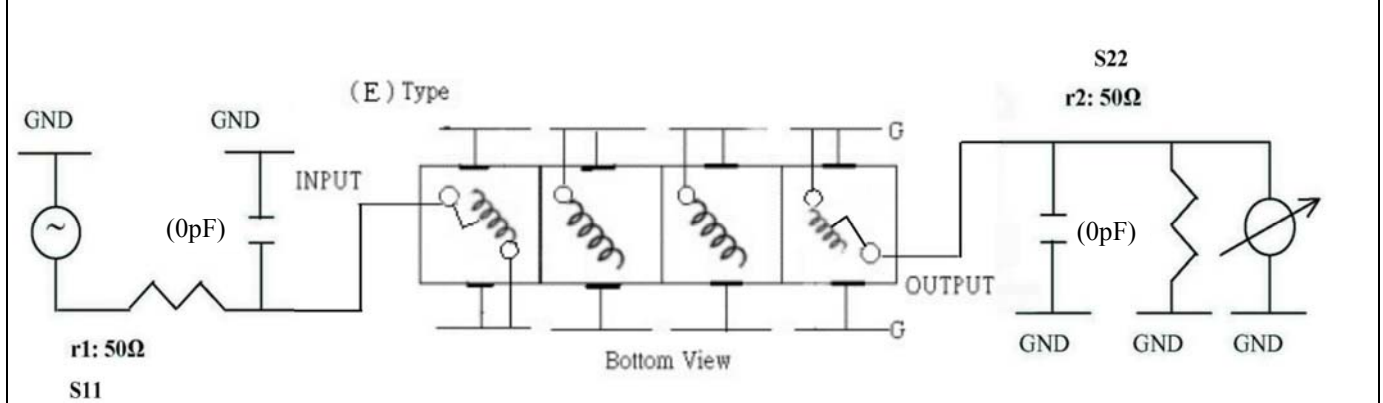
Customer Name		Temwell's Part No.	TF64232E-490M
Approval No. /dated	0803050APR	Acceptable Specify Fo Range	456~515MHz
Work Instruction No.	0803050CD	Date	Apr.17.2008



Item		Specify	Performance
Center Freq.(Fo) +/- 0.5 %		490 MHz	490 MHz
Insertion Loss		Typ. 3.5 dB	2.63 dB
-3 dB Bandwidth		Typ. 15 MHz	18.3 MHz
Sensitivity (Attenuation)	Fo - 30 MHz	Typ. 44 dBc	47 dBc
	Fo + 30 MHz	Typ. 42 dBc	45 dBc
	Fo - ()MHz	Typ. dBc	dBc
	Fo +()MHz	Typ. dBc	dBc
Return Loss		Min. 12 dB	31.0 dB
Ripple		< 1 dB	dB
Impedance		In / Out : 50 Ω	In / Out : 50 Ω

(4) Torque for Tuning Screw	> 100gf • cm
(5) Temperature Condition:	
Operating Temperature	0°C ~ +60°C
Storage Temperature	-20°C ~ +70°C
(6) Input Power	> 1Watt

(7) Measuring Circuit: ※Easy to match Impedance S11/S22 50Ω by parallel with about(0pF) / (0pF)



Approval	Supervisor	Designer	Aperture size
C.Y.Chang	C.S.Chang	P.H.Chiang	7H4(4*5.5)(4.0)B 7H046LB4 聚 3

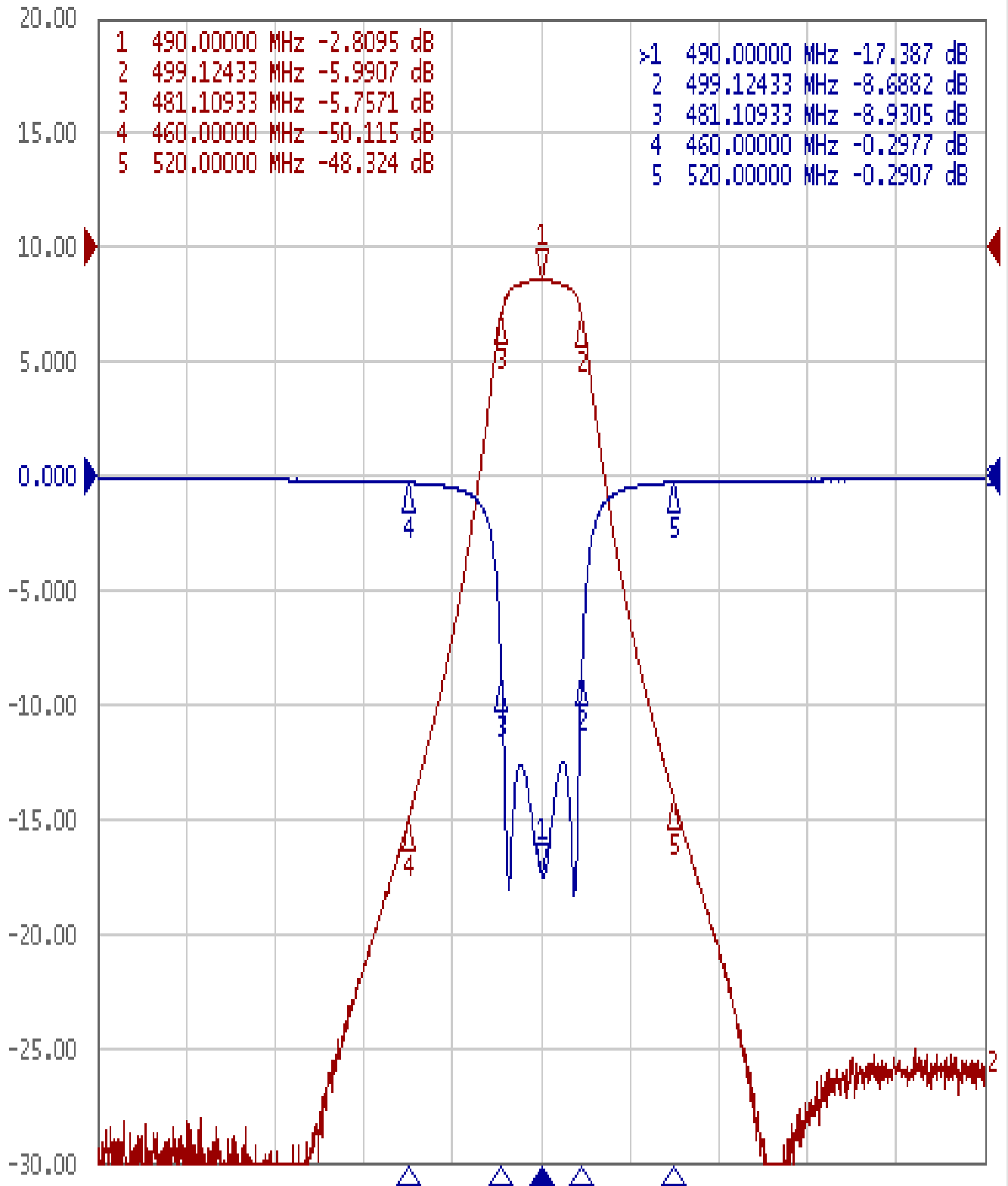
TEMWELL CORPORATION

Performance-TF64232E-490M

0803050CD

1 Active Ch/Trace 2 Response 3 Stimulus 4 Mkr/Analysis 5 Instr State

▶ Tr1 S11 Log Mag 5.000dB/ Ref 0.000dB [F2]
Tr2 S21 Log Mag 10.00dB/ Ref 0.000dB [F2]



1 Center 490 MHz

IFBW 10 kHz

Span 200 MHz Cor !

Meas Stop ExtRef Ready Sv