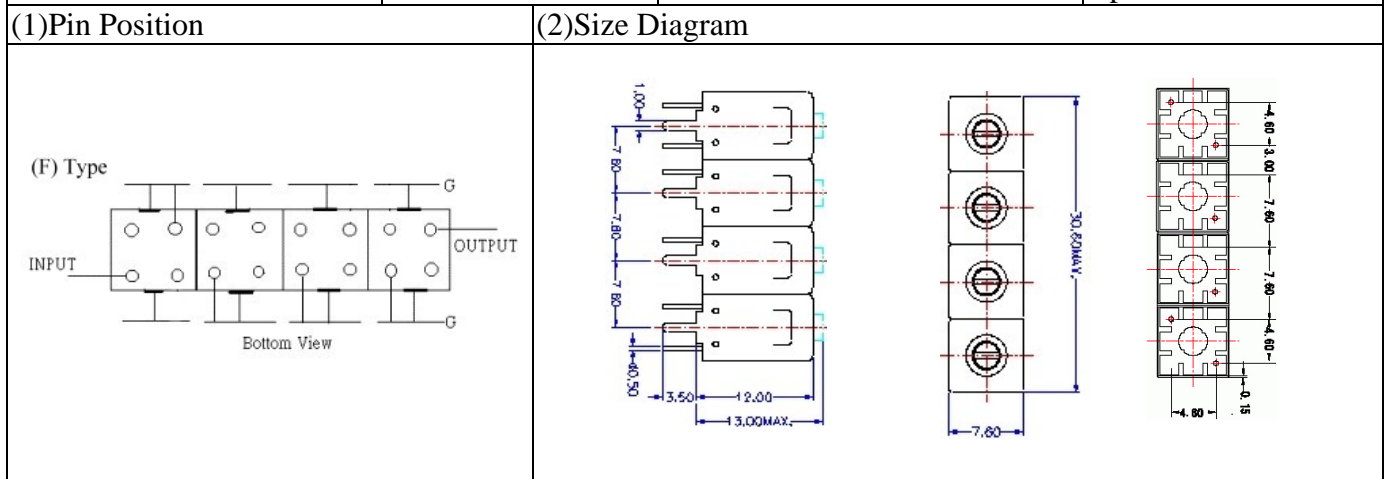
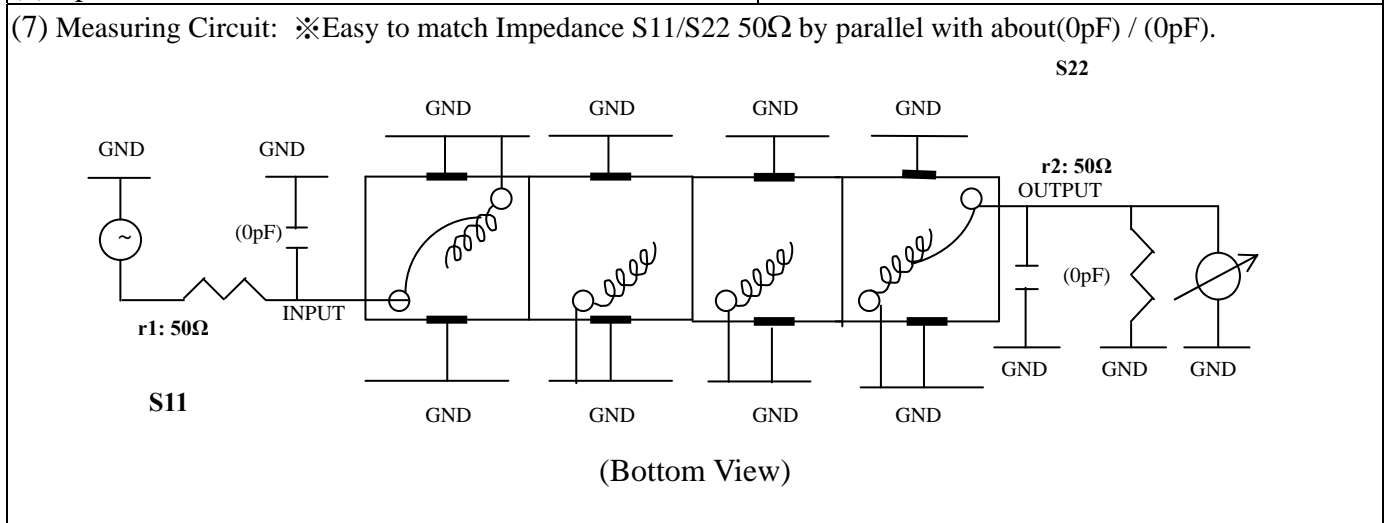


VHF UHF Helical Filter Specification Sheet

Customer Name		Temwell's Part No.	TF64233F-520M
Approval No. /dated	0803052APR	Acceptable Specify Fo Range	516~555MHz
Work Instruction No.	0803052CD	Date	Apr.18.2008



(3) Electric Characteristic			
Item	Specify	Performance	
Center Freq.(Fo) +/- 0.5 %	520 MHz	520 MHz	
Insertion Loss	Typ. 3.5 dB	2.74 dB	
-3 dB Bandwidth	Typ. 15 MHz	18.1 MHz	
Sensitivity (Attenuation)	Fo - (30) MHz	Typ. 46 dBc	49 dBc
	Fo + (30) MHz	Typ. 31 dBc	34 dBc
	Fo - (50) MHz	Typ. 65 dBc	70 dBc
	Fo + (50) MHz	Typ. 43 dBc	46 dBc
Return Loss	Min. 12 dB	17.8 dB	
Ripple	< 1 dB	dB	
Impedance	In / Out : 50 Ω	In / Out : 50 Ω	
(4) Torque for Tuning Screw	> 100gf · cm		
(5) Temperature Condition:			
Operating Temperature	0°C ~ +60°C		
Storage Temperature	-20°C ~ +70°C		
(6) Input Power	> 1Watt		



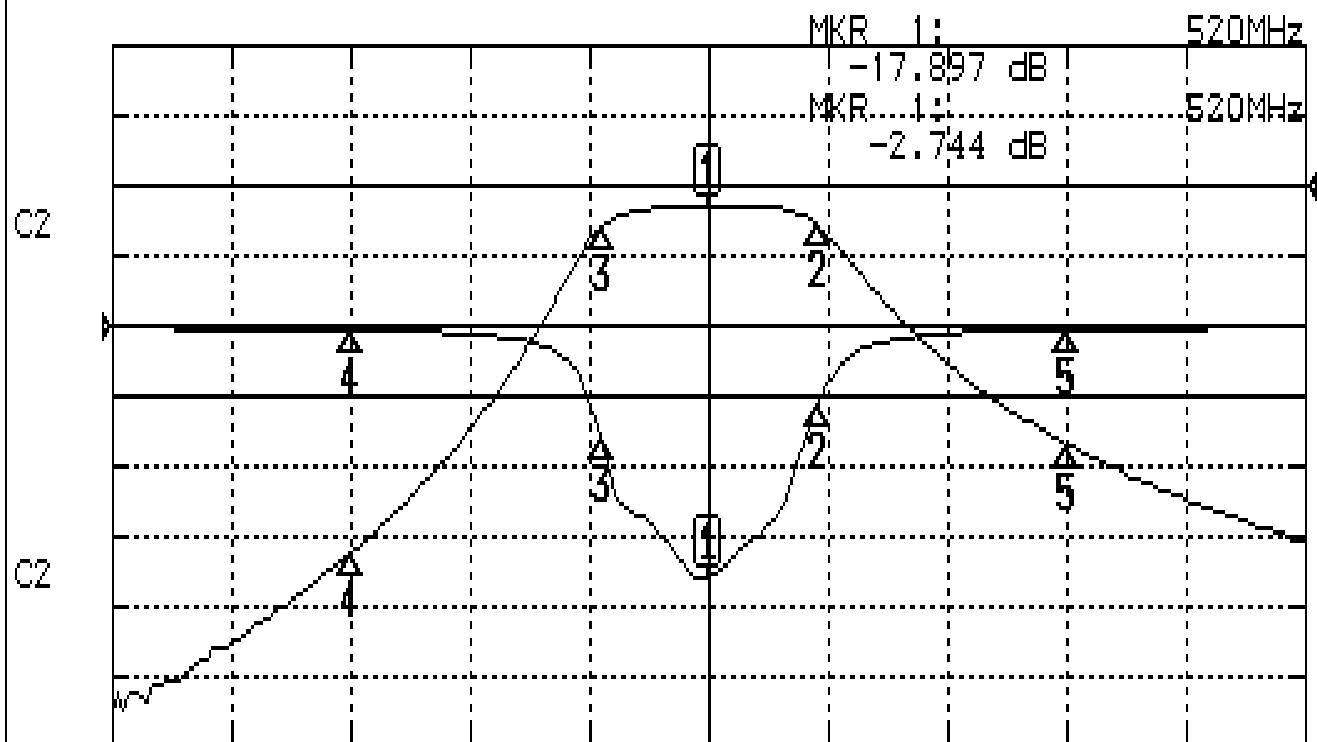
Approval	Supervisor	Designer	Aperture size
C.Y.Chang	C.S.Chang	P.H.Chiang	7H4(4*5.5)F(4.0B) 7H046LB4 聚 3

TEMWELL CORPORATION

Performance-TF64233F-520M

0803052CD

CH1 S11 LOG MAG REF 0.000 dB 5.000 dB/
CH2 S21 LOG MAG REF 0.000 dB 10.000 dB/



CENTER 520MHz

[10.00 dBm]

SPAN 100MHz

CH1 MARKER LIST

1:	520.000MHz	-17.899 dB
2:	529.166MHz	-5.683 dB
3:	511.000MHz	-8.003 dB
4:	490.000MHz	-0.264 dB
5:	550.000MHz	-0.241 dB

CH2 MARKER LIST

1:	520.000MHz	-2.744 dB
2:	529.166MHz	-5.731 dB
3:	511.000MHz	-5.782 dB
4:	490.000MHz	-52.471 dB
5:	550.000MHz	-36.767 dB