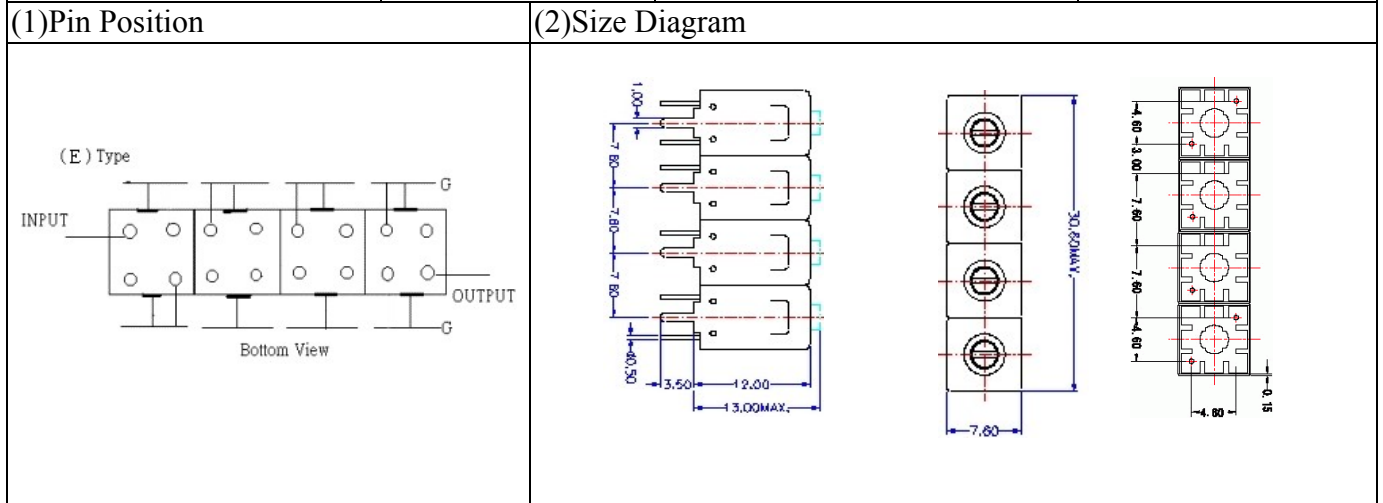


# VHF UHF Helical Filter Specification Sheet

Customer Name		Temwell's Part No.	TF64234E-450M
Approval No. /dated	0803054APR	Acceptable Specify Fo Range	401~455MHz
Work Instruction No.	0803054CD	Date	Apr.15.2008



### (3) Electric Characteristic

Item	Specify	Performance	
Center Freq.(Fo) +/- 0.5 %	450 MHz	450 MHz	
Insertion Loss	Typ. 3.5 dB	2.59 dB	
-3 dB Bandwidth	Typ. 15 MHz	18.5 MHz	
Sensitivity (Attenuation)	Fo - 30 MHz	Typ. 44 dBc	47 dBc
	Fo + 30 MHz	Typ. 40 dBc	43 dBc
	Fo - ( )MHz	Typ. dBc	dBc
	Fo + ( )MHz	Typ. dBc	dBc
Return Loss	Min. 12 dB	18.6 dB	
Ripple	< 1 dB	dB	
Impedance	In / Out : 50 Ω	In / Out : 50 Ω	
(4) Torque for Tuning Screw	> 100gf • cm		

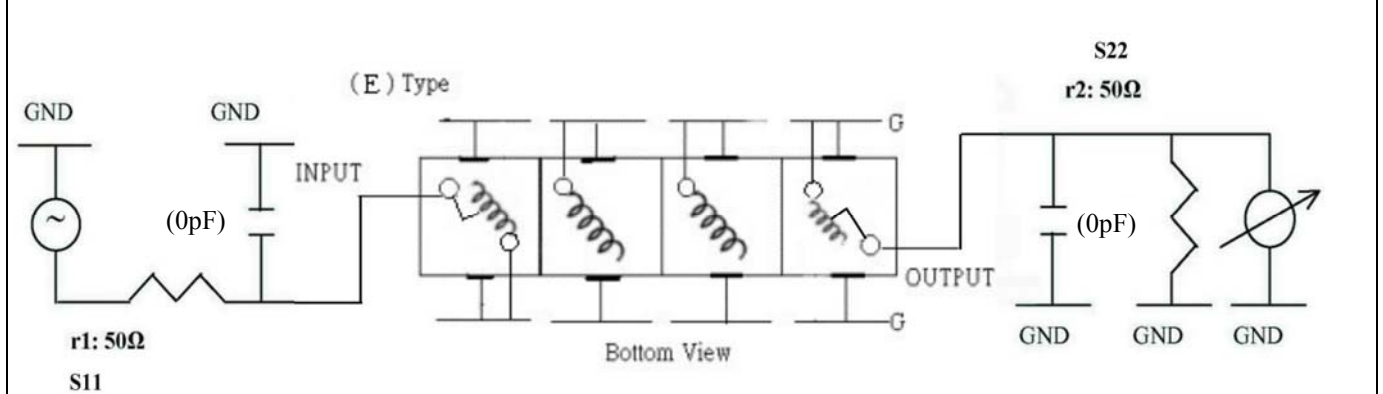
### (5) Temperature Condition:

Operating Temperature	0°C ~ +60°C
Storage Temperature	-20°C ~ +70°C

### (6) Input Power

> 1Watt

(7) Measuring Circuit: ※Easy to match Impedance S11/S22 50Ω by parallel with about (0pF) / ( 0pF)



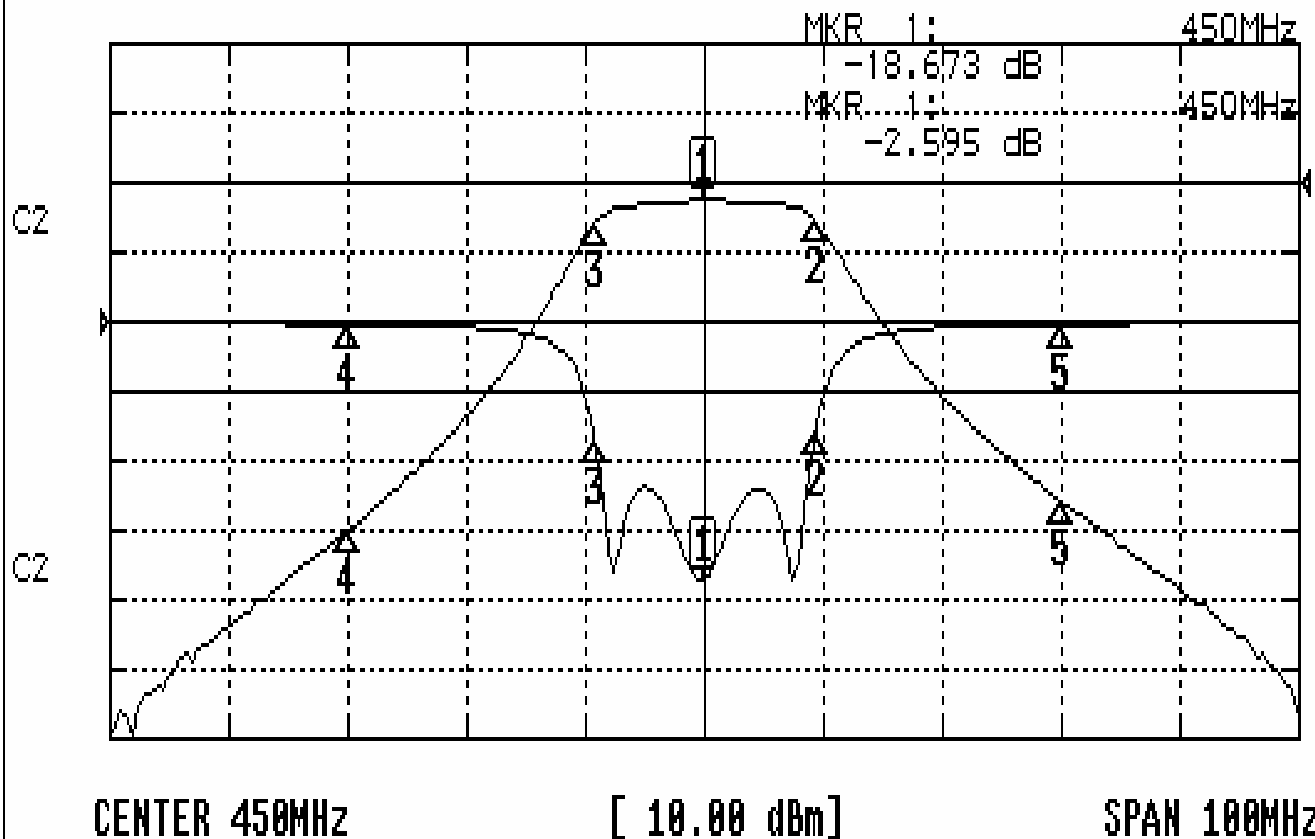
Approval	Supervisor	Designer	Aperture size
C.Y.Chang	C.S.Chang	P.H.Chiang	7H4(4*5.5)(4.0)B 7H046LB4 聚 3

TEMWELL CORPORATION

# Performance-TF64234E-450M

## 0803054CD

CH1 S11 LOG MAG REF 0.000 dB 5.000 dB/  
CH2 S21 LOG MAG REF 0.000 dB 10.000 dB/



### CH1 MARKER LIST

1:	450.000MHz	-18.664	dB
2:	459.416MHz	-7.881	dB
3:	440.916MHz	-8.824	dB
4:	420.000MHz	-0.190	dB
5:	480.000MHz	-0.191	dB

### CH2 MARKER LIST

1:	450.000MHz	-2.595	dB
2:	459.416MHz	-1.596	dB
3:	440.916MHz	-1.661	dB
4:	420.000MHz	-50.241	dB
5:	480.000MHz	-45.834	dB