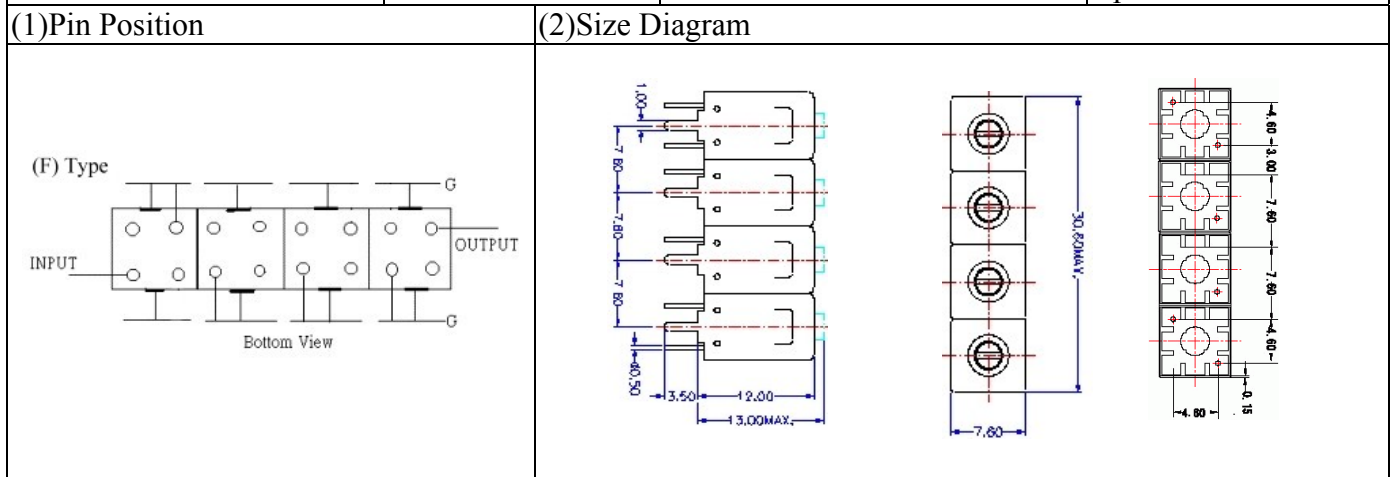


VHF UHF Helical Filter Specification Sheet

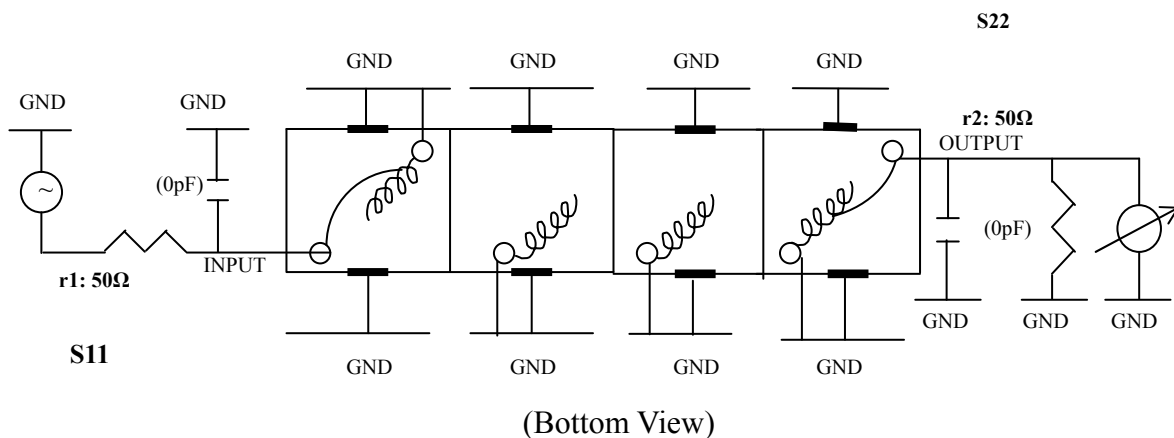
Customer Name		Temwell's Part No.	TF64236F-490M
Approval No. /dated	0803057APR	Acceptable Specify Fo Range	456~515MHz
Work Instruction No.	0803057CD	Date	Apr.17.2008



(3) Electric Characteristic

Item	Specify	Performance
Center Freq.(Fo) +/- 0.5 %	490 MHz	490 MHz
Insertion Loss	Typ. 3.5 dB	2.82 dB
-3 dB Bandwidth	Typ. 15 MHz	18.9 MHz
Sensitivity (Attenuation)	Fo - (30) MHz	Typ. 48 dBc
	Fo + (30) MHz	Typ. 30 dBc
	Fo - (50) MHz	Typ. 68 dBc
	Fo + (50) MHz	Typ. 45 dBc
Return Loss	Min. 12 dB	22.5 dB
Ripple	< 1 dB	
Impedance	In / Out : 50 Ω	In / Out : 50 Ω
(4) Torque for Tuning Screw	> 100gf • cm	
(5) Temperature Condition:		
Operating Temperature	0°C ~ +60°C	
Storage Temperature	-20°C ~ +70°C	
(6) Input Power	> 1Watt	

(7) Measuring Circuit: ※Easy to match Impedance S11/S22 50Ω by parallel with about(0pF) / (0pF).



Approval	Supervisor	Designer	Aperture size
C.Y.Chang	C.S.Chang	P.H.Chiang	7H4(4*6.5)F(4.0B) 7H046LB4 聚 3

TEMWELL CORPORATION

TEMWELL

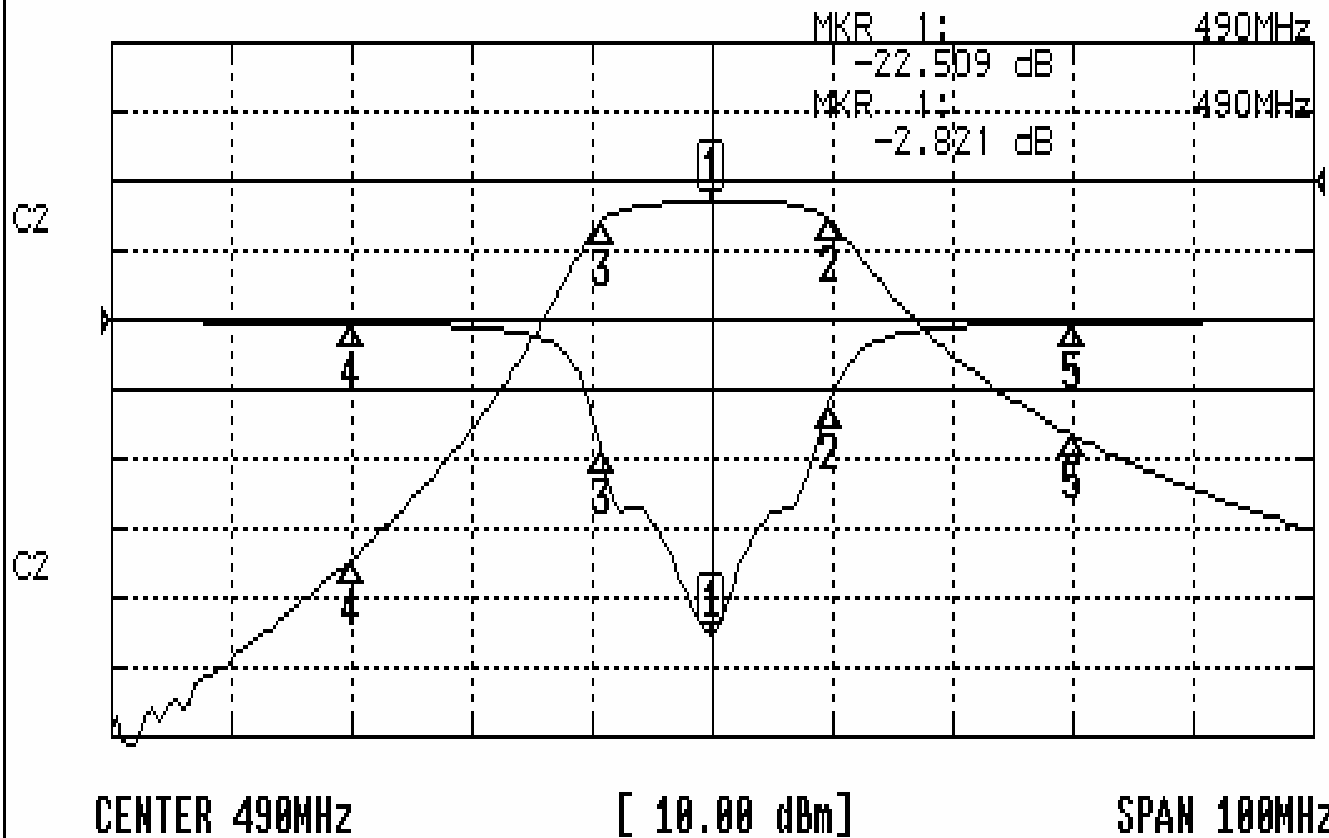
Form10-7H4F Vision D

RB:w.w.w

Performance-TF64236F-490M

0803057CD

CH1 S11 LOG MAG REF 0.000 dB 5.000 dB/
CH2 S21 LOG MAG REF 0.000 dB 10.000 dB/



CH1 MARKER LIST

1	490.000MHz	-22.510	dB
2	499.750MHz	-16.103	dB
3	480.833MHz	-10.526	dB
4	460.000MHz	-0.244	dB
5	520.000MHz	-0.229	dB

CH2 MARKER LIST

1	490.000MHz	-2.821	dB
2	499.750MHz	-1.179	dB
3	480.833MHz	-1.826	dB
4	460.000MHz	-14.340	dB
5	520.000MHz	-36.516	dB