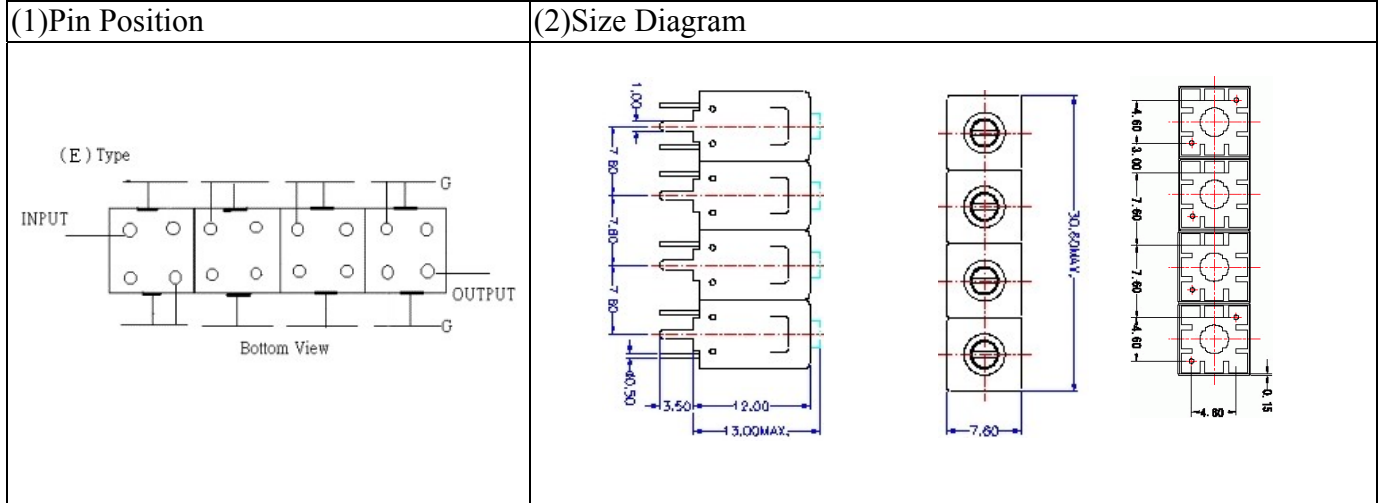


VHF UHF Helical Filter Specification Sheet

Customer Name		Temwell's Part No.	TF64237E-330M
Approval No. /dated	0803059APR	Acceptable Specify Fo Range	311~355MHz
Work Instruction No.	0803059CD	Date	Apr.16.2008



(3) Electric Characteristic

Item	Specify	Performance	
Center Freq.(Fo) +/- 0.5 %	330 MHz	330 MHz	
Insertion Loss	Typ. 3.0 dB	2.14 dB	
-3 dB Bandwidth	Typ. 18 MHz	20.1 MHz	
Sensitivity (Attenuation)	Fo - 30 MHz	Typ. 46 dBc	49 dBc
	Fo + 30 MHz	Typ. 38 dBc	41 dBc
	Fo - ()MHz	Typ. dBc	dBc
	Fo +()MHz	Typ. dBc	dBc
Return Loss	Min. 12 dB	14.6 dB	
Ripple	< 1 dB	dB	
Impedance	In / Out : 50 Ω	In / Out : 50 Ω	

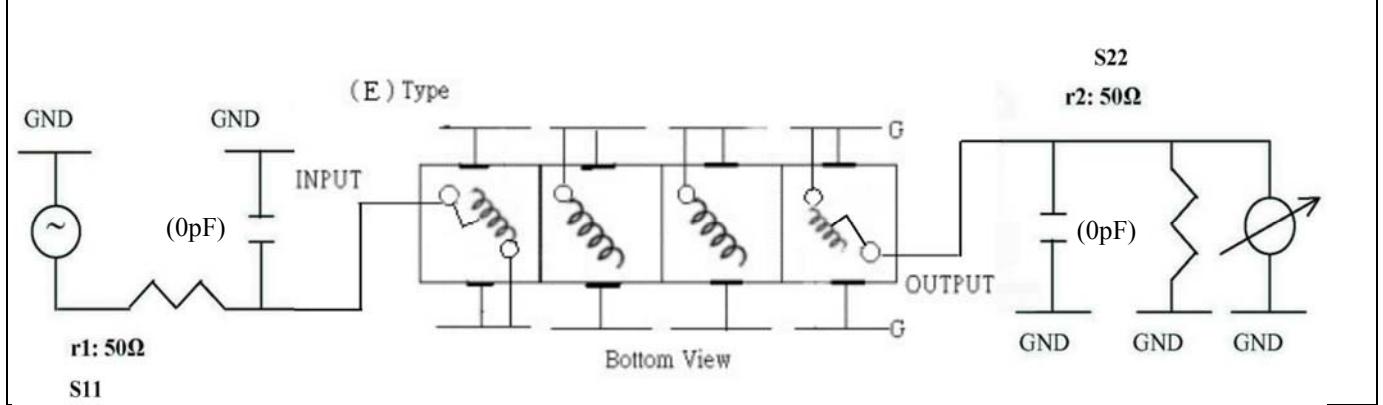
(4) Torque for Tuning Screw > 100gf · cm

(5) Temperature Condition:

Operating Temperature 0°C ~ +60°C

Storage Temperature -20°C ~ +70°C

(6) Input Power > 1 Watt



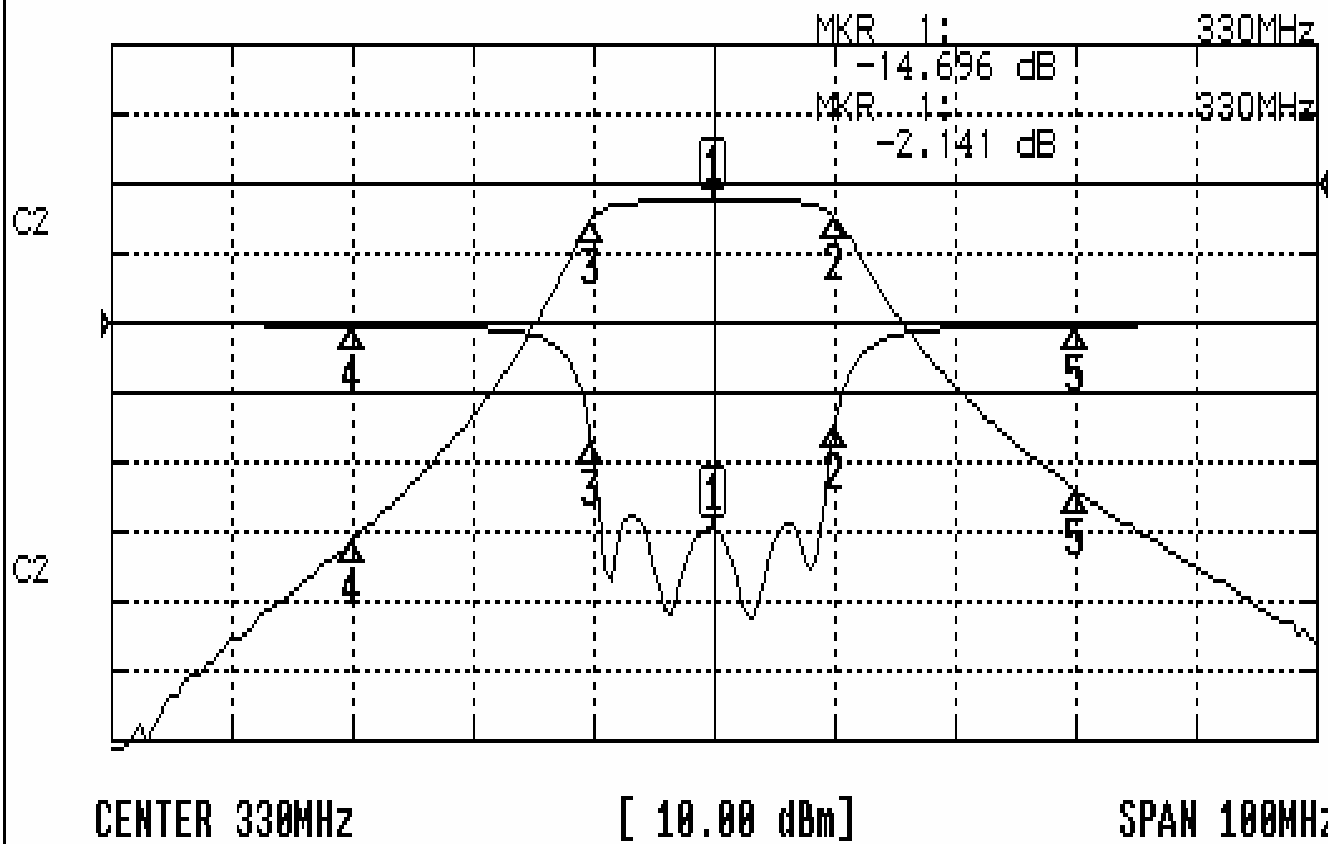
Approval	Supervisor	Designer	Aperture size
C.Y.Chang	C.S.Chang	P.H.Chiang	7H4(4*5.5F)*(5.0B) 7H046LB5

TEMWELL CORPORATION

Performance-TF64237E-330M

0803059CD

CH1 S11 LOG MAG REF 0.000 dB 5.000 dB/
CH2 S21 LOG MAG REF 0.000 dB 10.000 dB/



CH1 MARKER LIST

1	330.000MHz	-14.696	dB
2	340.083MHz	-7.300	dB
3	319.916MHz	-8.700	dB
4	300.000MHz	-0.182	dB
5	360.000MHz	-0.181	dB

CH2 MARKER LIST

1	330.000MHz	-2.141	dB
2	340.083MHz	-1.503	dB
3	319.916MHz	-1.506	dB
4	300.000MHz	-5.183	dB
5	360.000MHz	-43.882	dB