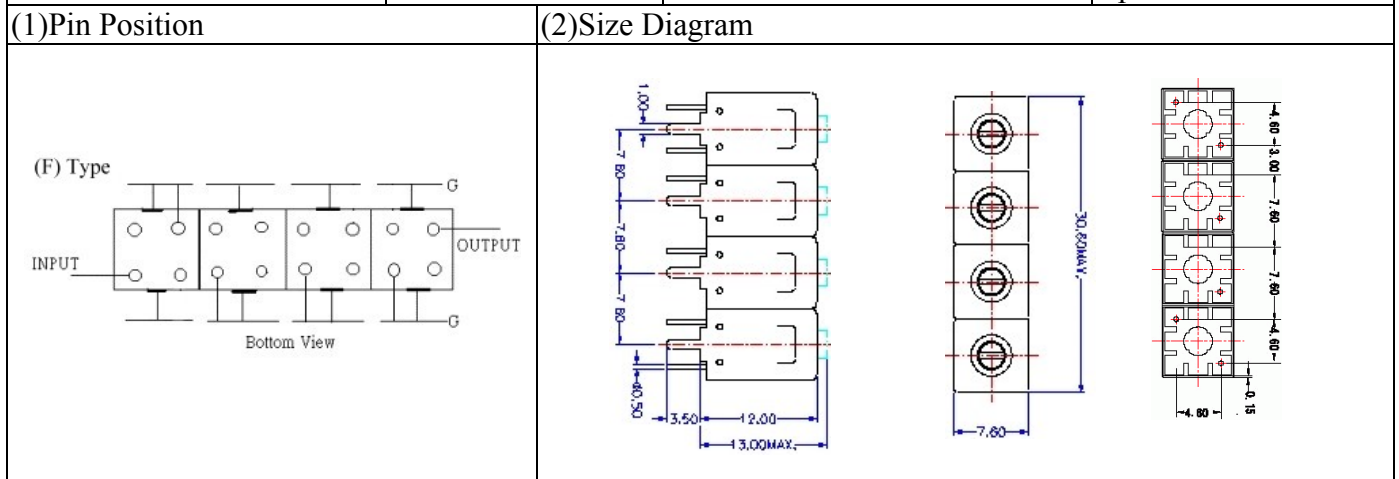
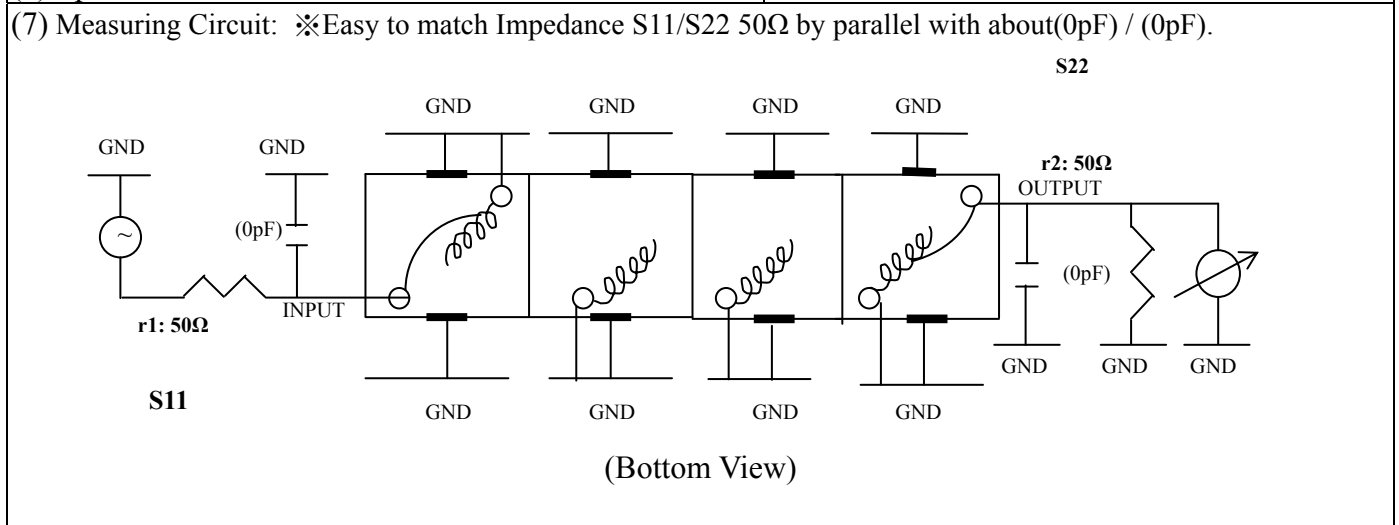


VHF UHF Helical Filter Specification Sheet

Customer Name		Temwell's Part No.	TF64240F-360M
Approval No. /dated	0803087APR	Acceptable Specify Fo Range	356~400MHz
Work Instruction No.	0803087CD	Date	Apr.16.2008



(3) Electric Characteristic		Item	Specify	Performance
		Center Freq.(Fo) +/- 0.5 %	360 MHz	360 MHz
		Insertion Loss	Typ. 3.0 dB	2.34 dB
		-3 dB Bandwidth	Typ. 15 MHz	19.0 MHz
Sensitivity (Attenuation)	Fo - (30) MHz	Typ. 51 dBc		54 dBc
	Fo + (30) MHz	Typ. 34 dBc		37 dBc
	Fo - () MHz	Typ. dBc		dBc
	Fo + () MHz	Typ. dBc		dBc
		Return Loss	Min. 12 dB	17.9 dB
		Ripple	< 1 dB	dB
		Impedance	In / Out : 50 Ω	In / Out : 50 Ω
(4) Torque for Tuning Screw			> 100gf • cm	
(5) Temperature Condition:				
Operating Temperature			0°C ~ +60°C	
Storage Temperature			-20°C ~ +70°C	
(6) Input Power			> 1Watt	

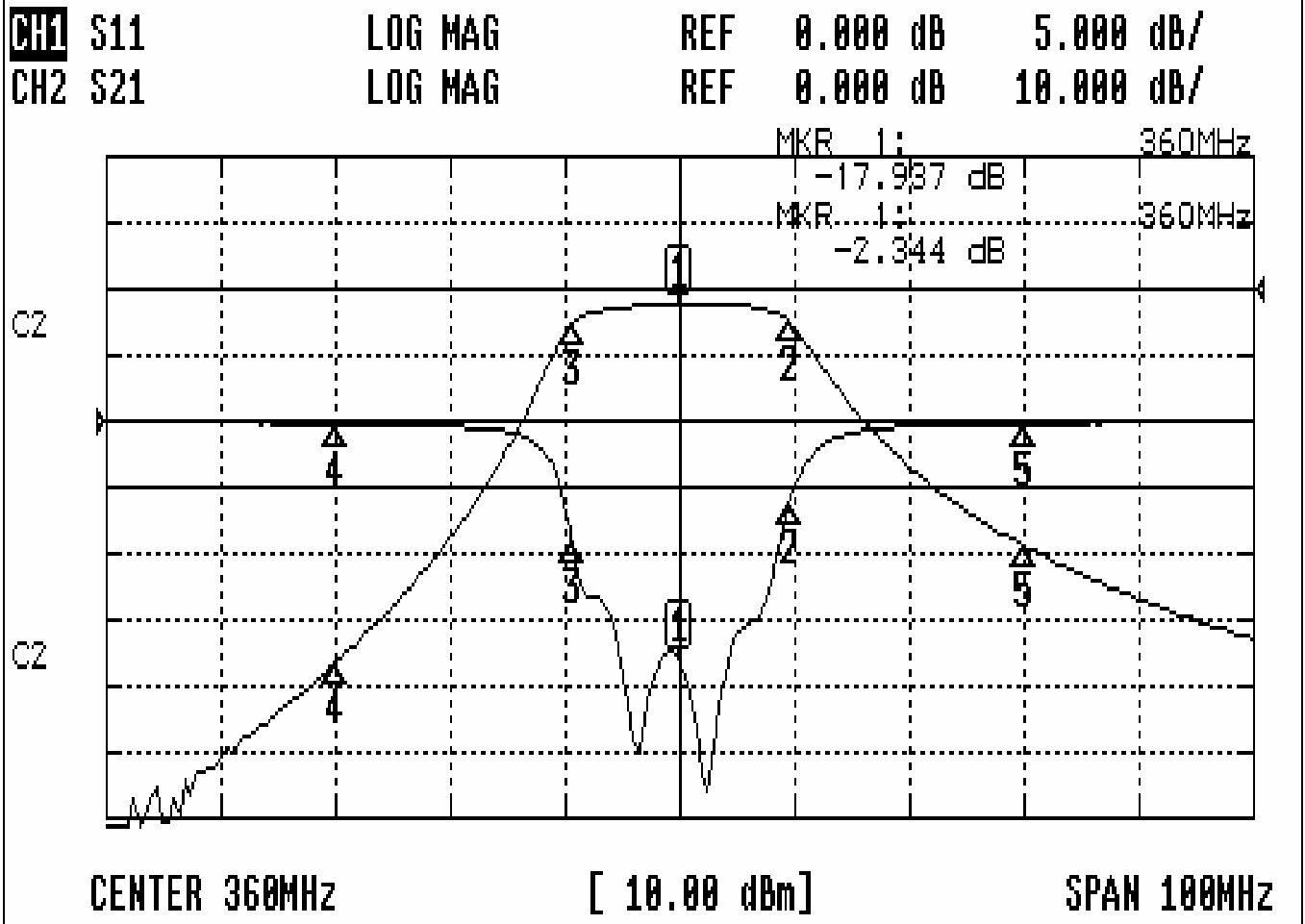


Approval	Supervisor	Designer	Aperture size
C.Y.Chang	C.S.Chang	P.H.Chiang	7H4(4*5.5F)*(5.0B) 7H046LB5

TEMWELL CORPORATION

Performance-TF64240F-360M

0803087CD



CH1 MARKER LIST

Marker	Frequency (MHz)	Amplitude (dB)
1	360.000	-17.934
2	369.666	-6.095
3	350.666	-9.121
4	330.000	-0.196
5	390.000	-0.191

CH2 MARKER LIST

Marker	Frequency (MHz)	Amplitude (dB)
1	360.000	-2.344
2	369.666	7.297
3	350.666	7.273
4	330.000	6.655
5	390.000	8.837