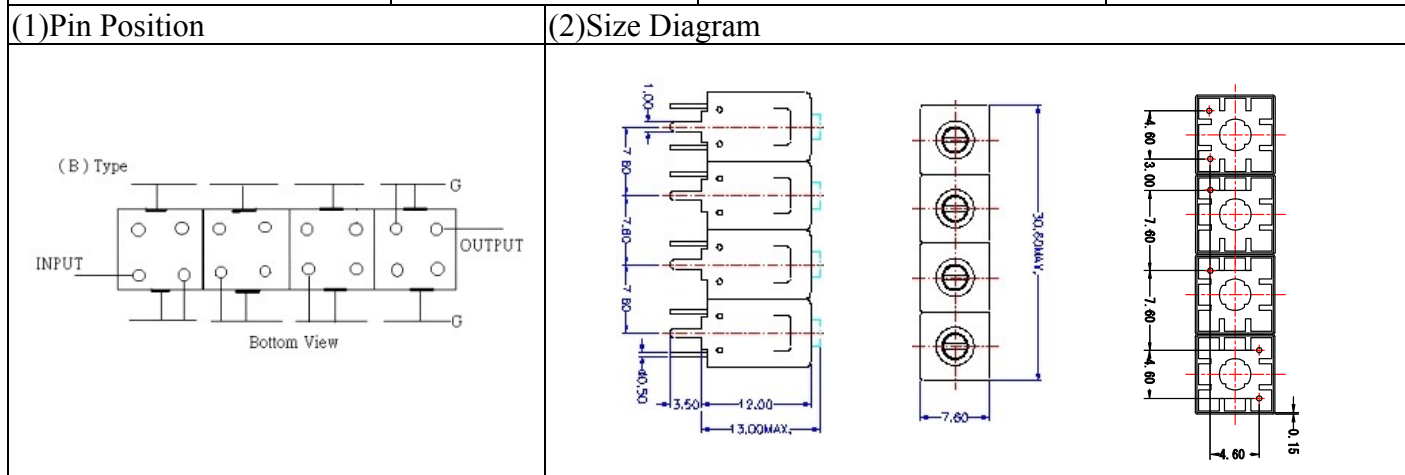


# VHF UHF Helical Filter Specification Sheet

|                      |             |                      |                |
|----------------------|-------------|----------------------|----------------|
| Customer Name        |             | Temwell's Part No.   | TF64324B-110M  |
| Approval No. /dated  | 201701039CD | Temwell's Print Name | 64324B<br>110M |
| Work Instruction No. | 201701039CD | Date                 | Jan.26.2017    |



### (3) Electric Characteristic

| Item                         | Specify         | Performance     |        |
|------------------------------|-----------------|-----------------|--------|
| Center Freq.(Fo) +/- 0.5 %   | 110 MHz         | 110 MHz         |        |
| Insertion Loss               | Typ. 4.0 dB     | 3.08 dB         |        |
| -3 dB Bandwidth              | Typ. 5 MHz      | 8.2 MHz         |        |
| Sensitivity<br>(Attenuation) | Fo - 20 MHz     | Typ. 54 dBc     | 59 dBc |
|                              | Fo + 20 MHz     | Typ. 56 dBc     | 61 dBc |
|                              | Fo - ( )MHz     | Typ. dBc        | dBc    |
|                              | Fo + ( )MHz     | Typ. dBc        | dBc    |
| Return Loss                  | Min. 12 dB      | 19.4 dB         |        |
| Ripple                       | < 1 dB          | dB              |        |
| Impedance                    | In / Out : 50 Ω | In / Out : 50 Ω |        |

(4) Torque for Tuning Screw > 60gf · cm

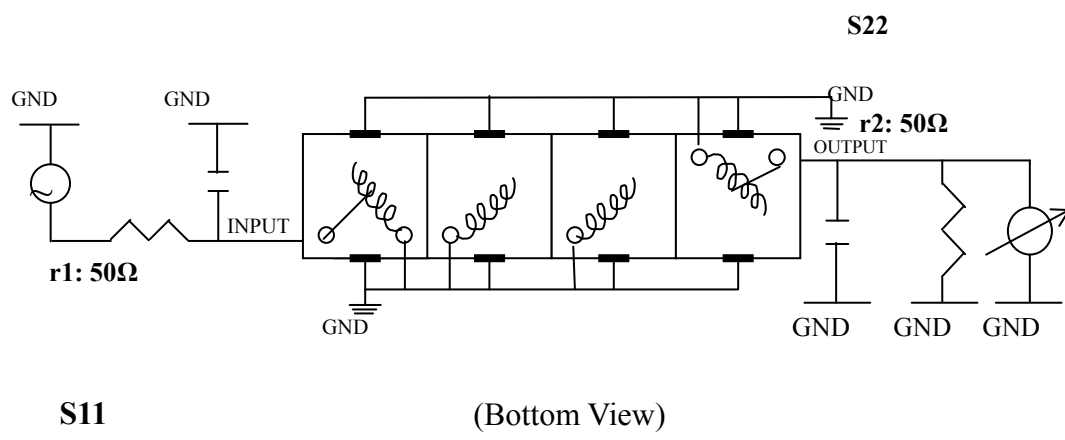
(5) Temperature Condition:

Operating Temperature 0°C ~ +60°C

Storage Temperature -20°C ~ +70°C

(6) Input Power > 1Watt

(7) Measuring Circuit: ※Easy to match Impedance S11/S22 50Ω by parallel with about(- -).



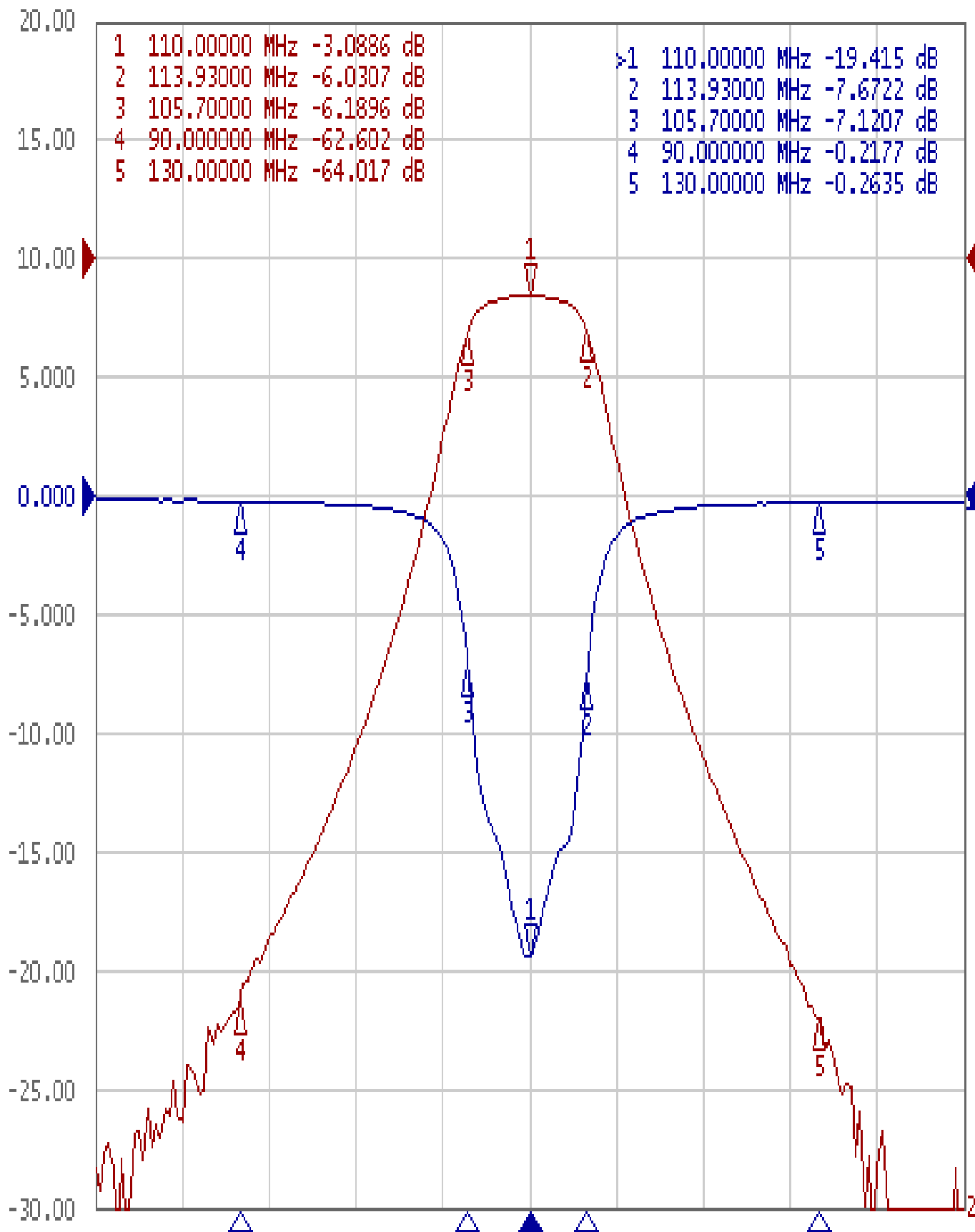
|           |            |          |                                  |
|-----------|------------|----------|----------------------------------|
| Approval  | Supervisor | Designer | Aperture size                    |
| C.Y.Chang | C.K.Chang  | W.W.Wang | 7H4S(4*4.65)(4.68)<br>7H024RB6.5 |

TEMWELL CORPORATION

# Performance-TF64324B-110M

## 201701039CD

Tr1 S11 Log Mag 5.000dB/ Ref 0.000dB [F2]  
Tr2 S21 Log Mag 10.00dB/ Ref 0.000dB [F2]



1 Center 110 MHz

IFBW 70 kHz

Span 60 MHz Cor !