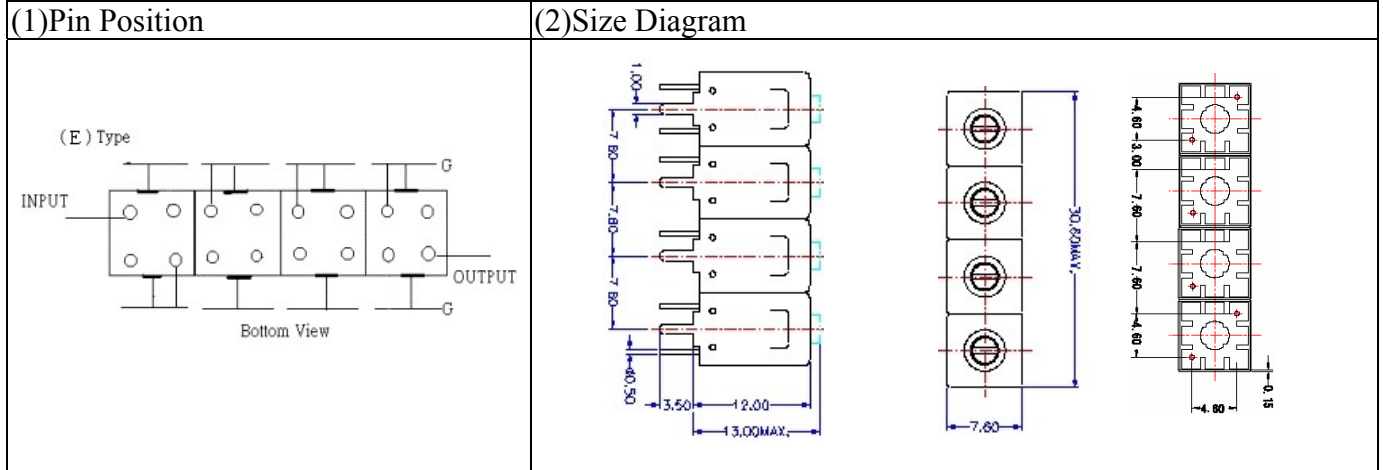


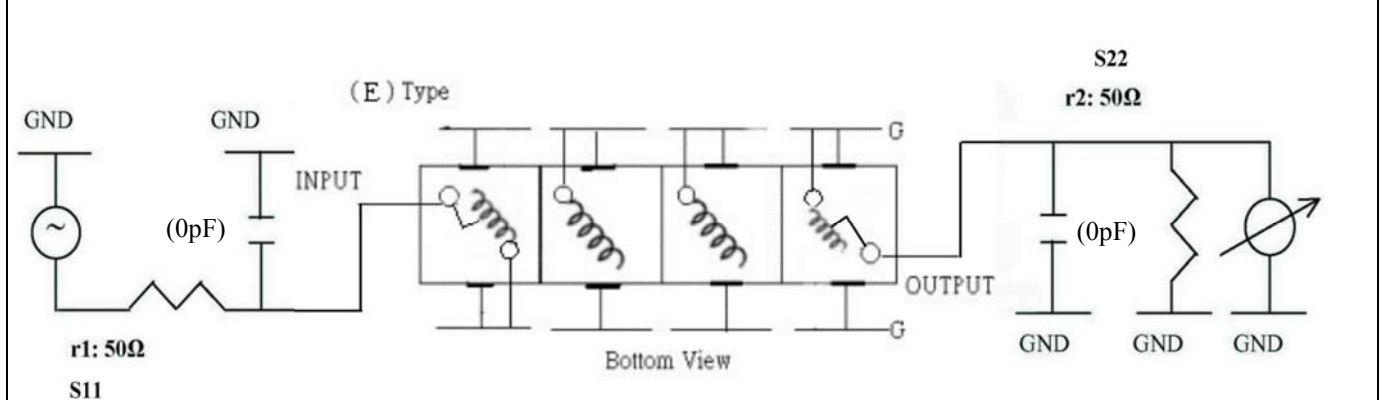
VHF UHF Helical Filter Specification Sheet

| | | | |
|----------------------|-------------|-----------------------------|----------------|
| Customer Name | | Temwell's Part No. | TF64327E-666M |
| Approval No. /dated | 0903082APR | Acceptable Specift Fo Range | 64325E 666M |
| Work Instruction No. | 200903082BD | Date | Mar.20.2009 |



| | | | |
|------------------------------|-------------|-----------------|-----------------|
| (3) Electric Charasteric | | | |
| Item | | Specify | Performance |
| Center Freq.(Fo) +/- 0.5 % | | 666 MHz | 666 MHz |
| Insertion Loss | | Typ. 2.5 dB | 1.65 dB |
| -1 dB Bandwidth | | Typ. 42 MHz | 43.1 MHz |
| -3 dB Bandwidth | | Typ. 50 MHz | 53.1 MHz |
| Sensitivity (Attenuation) | Fo - 54 MHz | Typ. 30 dB | 33 dB |
| | Fo +54 MHz | Typ. 24 dB | 27 dB |
| | Fo - ()MHz | Typ. dB | dB |
| | Fo +()MHz | Typ. dB | dB |
| Return Loss | | Min. 12 dB | 20.9 dB |
| Ripple | | < 1 dB | dB |
| Impedance | | In / Out : 50 Ω | In / Out : 50 Ω |
| (4) Torque for Tuning Screw | | > 100gf · cm | |
| (5) Temperature Condition: | | | |
| Operating Temperature | | 0°C ~ +60°C | |
| Storage Temperature | | -20°C ~ +70°C | |
| (6) Input Power | | > 1 Watt | |

(7) Measuring Circuit: ※Easy to match Impedance S11/S22 50Ω by parallel with about(0pF) / (0pF)

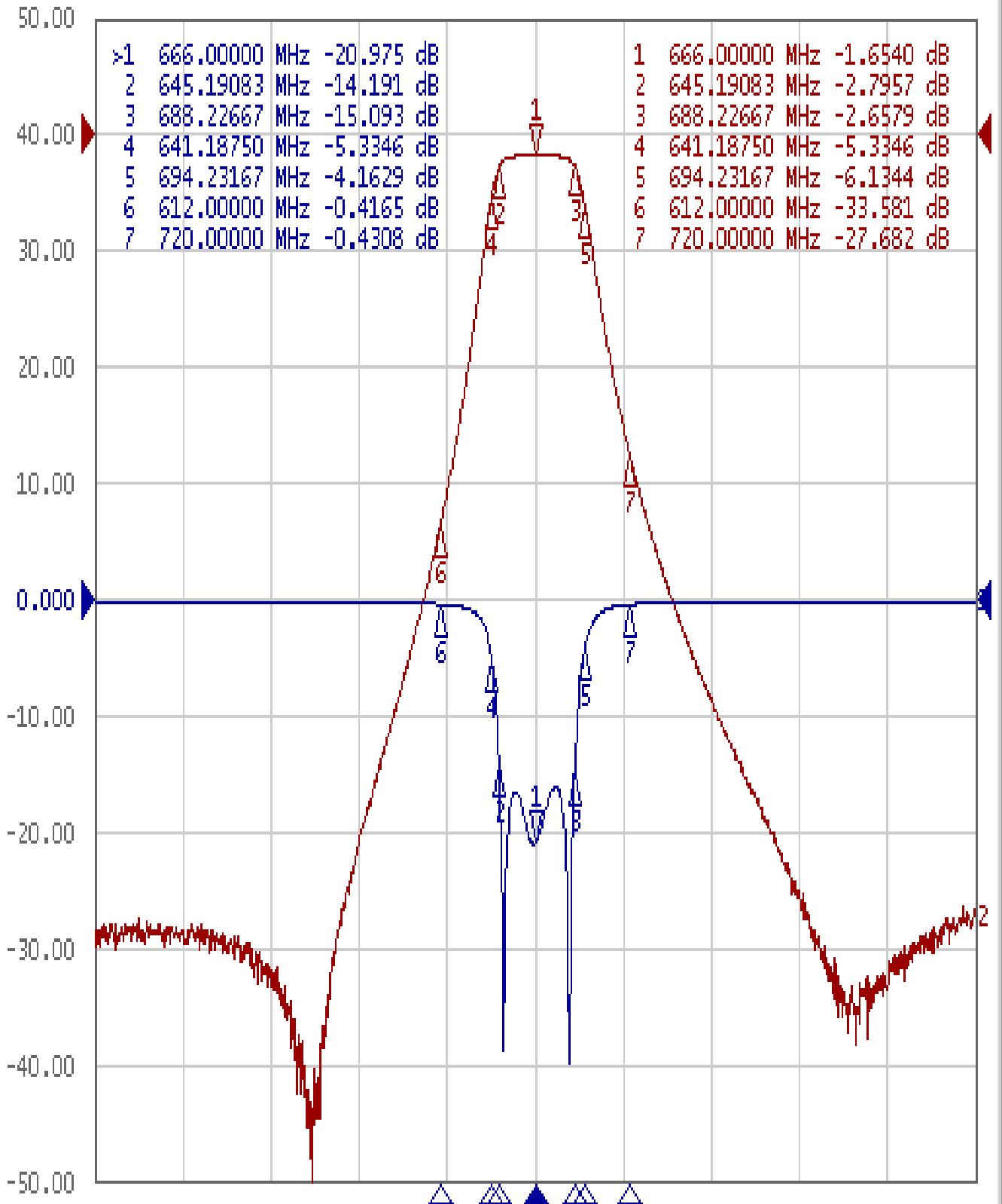


| | | | |
|---------------------|------------|------------|-------------------------------|
| Approval | Supervisor | Designer | Aperture size |
| C.Y.Chang | C.K.Chang | P.H.Chiang | 7H4S(4*5.5)(5.56) 7H046LB5 |
| TEMWELL CORPORATION | | | |

Performance-TF64327E-666M

200903082BD

▶ Tr1 S11 Log Mag 10.00dB/ Ref 0.000dB [F2]
Tr2 S21 Log Mag 10.00dB/ Ref 0.000dB [F2]



1 Center 666 MHz

IFBW 10 kHz

Span 500 MHz Cor |