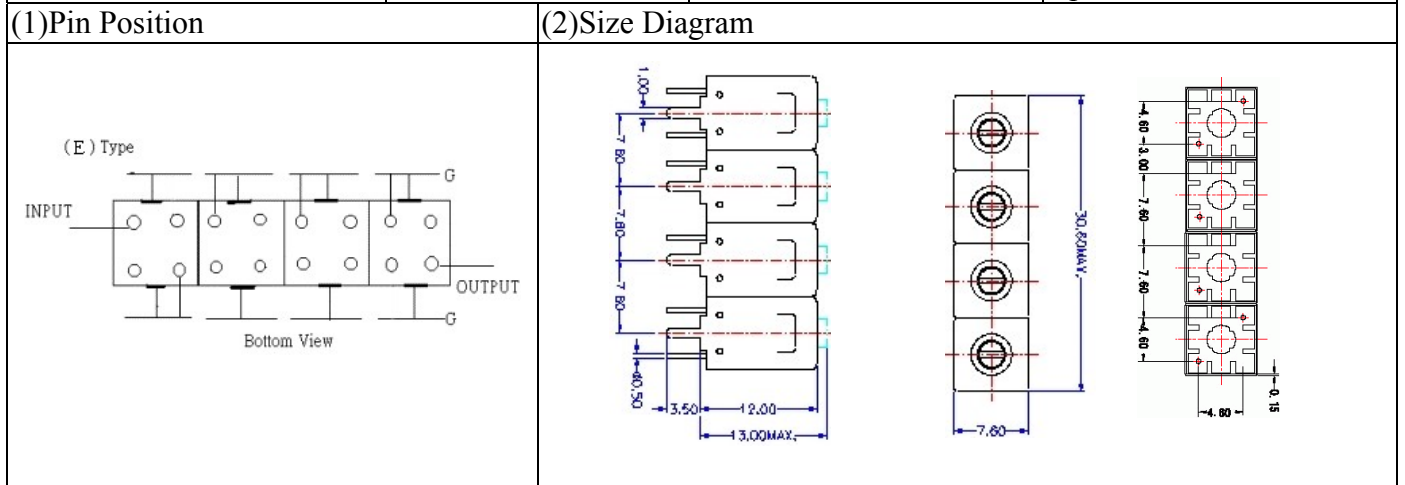


# VHF UHF Helical Filter Specification Sheet

Customer Name		Temwell's Part No.	TF64329E-666M
Approval No. /dated	0903086APR	Temwell's Print Name	64329E 666M
Work Instruction No.	200903086BD	Date	Apr.02.2009



(3) Electric Characteristic

Item	Specify	Performance	
Center Freq.(Fo ) +/- 0.5 %	666 MHz	666 MHz	
Insertion Loss	Typ. 2.0 dB	1.11 dB	
-1 dB Bandwidth	Typ. 66 MHz	70.1 MHz	
-3 dB Bandwidth	Typ. 76 MHz	80.3 MHz	
Sensitivity (Attenuation)	Fo - 78 MHz	Typ. 31 dB	34 dB
	Fo +78 MHz	Typ. 21 dB	24 dB
	Fo - ( )MHz	Typ. dB	dB
	Fo +( )MHz	Typ. dB	dB
Return Loss	Min. 12 dB	17.9 dB	
Ripple	< 1 dB	dB	
Impedance	In / Out : 50 Ω	In / Out : 50 Ω	
(4) Torque for Tuning Screw	> 100gf · cm		

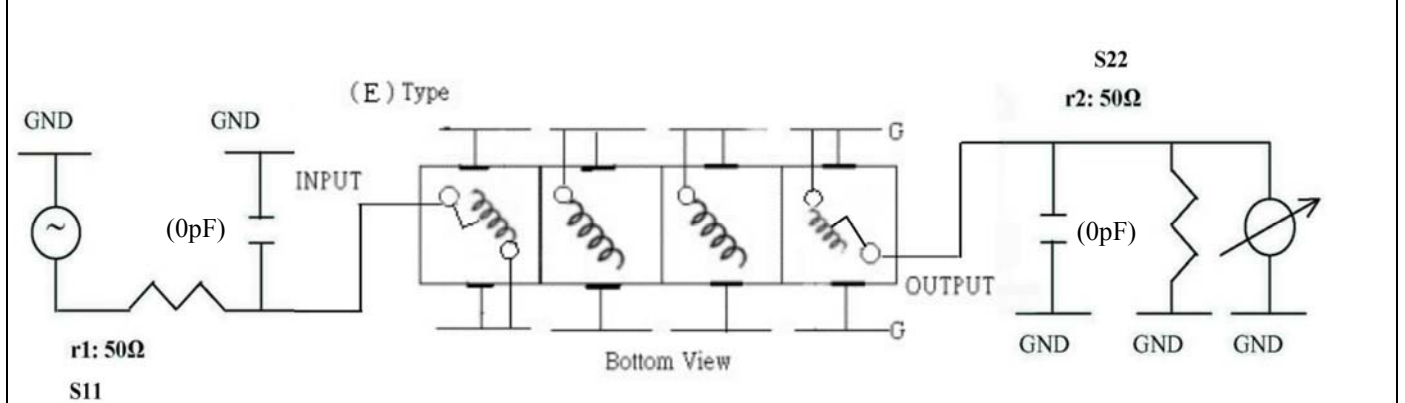
(5) Temperature Condition:

Operating Temperature	0°C ~ +60°C
Storage Temperature	-20°C ~ +70°C

(6) Input Power

	> 1Watt
--	---------

(7) Measuring Circuit: ※Easy to match Impedance S11/S22 50Ω by parallel with about( 0pF) / ( 0pF)



Approval	Supervisor	Designer	Aperture size
C.Y.Chang	C.K.Chang	C.S.Chang	7H4S(4*7.5)(7.52) 7H046LB5.5

TEMWELL CORPORATION

# Performance-TF64329E-666M

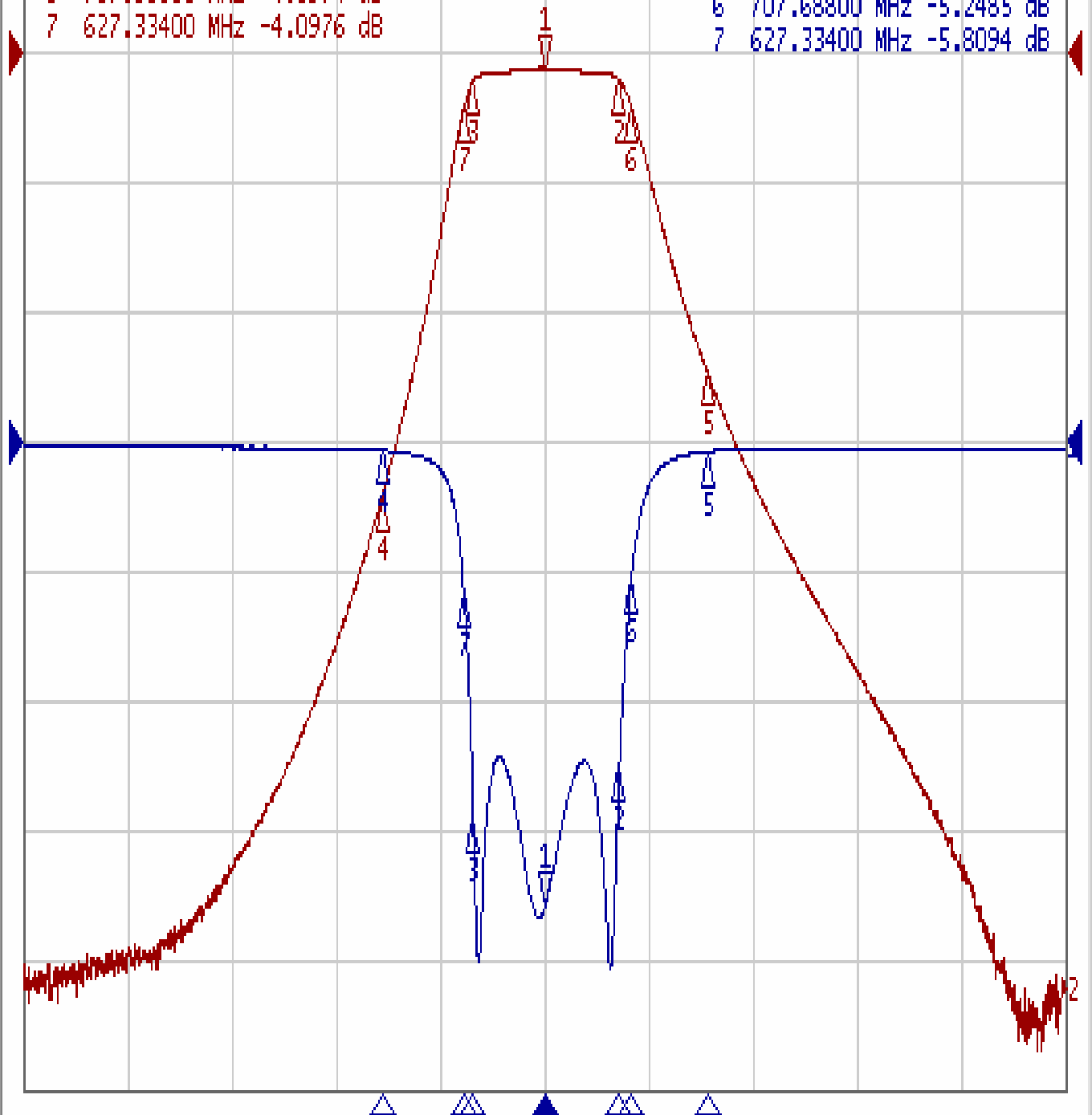
## 200903086BD

▶ Tr1 S11 Log Mag 5.000dB/ Ref 0.000dB [F3]

Tr2 S21 Log Mag 10.00dB/ Ref 0.000dB [F3]

1	666.00000 MHz	-1.1104 dB
2	701.98800 MHz	-2.1010 dB
3	631.87238 MHz	-2.0980 dB
4	588.00000 MHz	-34.245 dB
5	744.00000 MHz	-24.559 dB
6	707.68800 MHz	-4.0974 dB
7	627.33400 MHz	-4.0976 dB

>1	666.00000 MHz	-17.992 dB
2	701.98800 MHz	-12.586 dB
3	631.87238 MHz	-14.534 dB
4	588.00000 MHz	-0.3149 dB
5	744.00000 MHz	-0.3540 dB
6	707.68800 MHz	-5.2485 dB
7	627.33400 MHz	-5.8094 dB



1 Center 666 MHz

IFBW 10 kHz

Span 500 MHz

