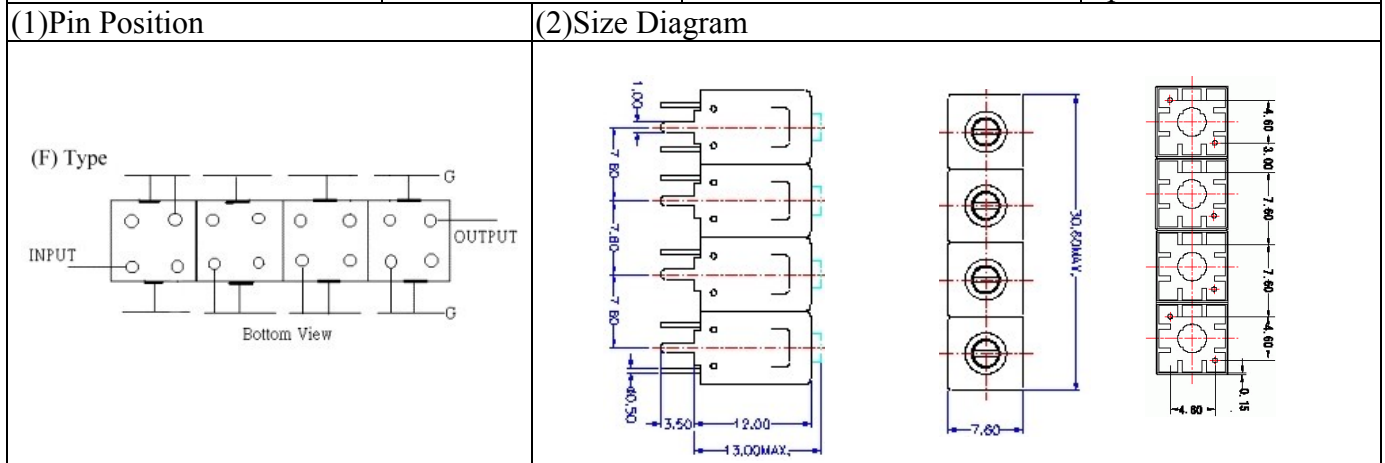
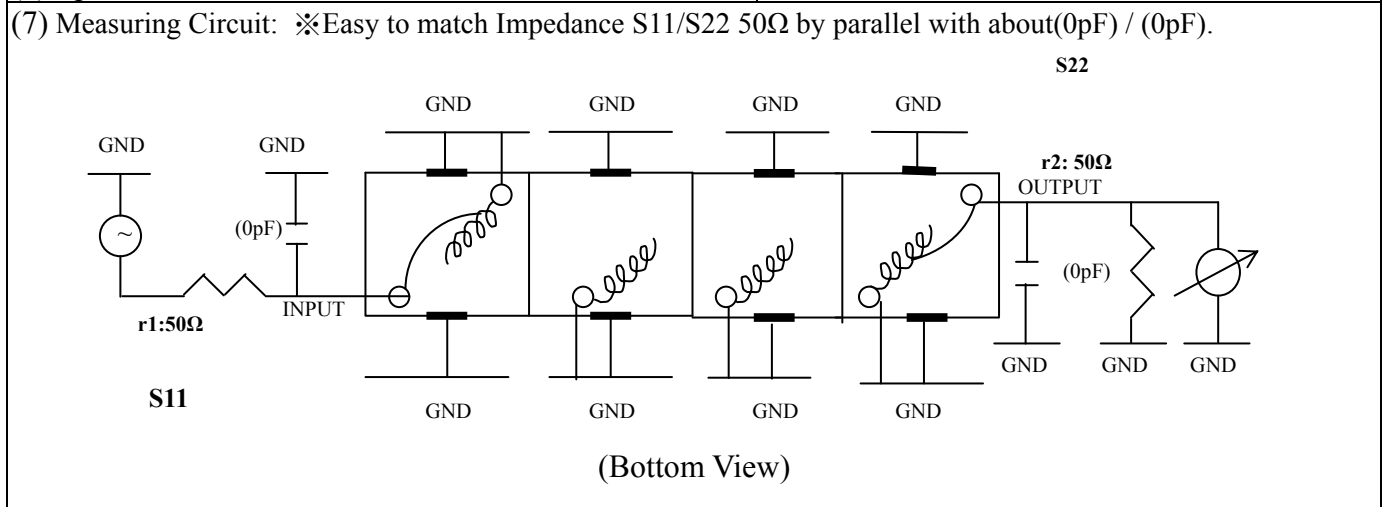


# VHF UHF Helical Filter Specification Sheet

Customer Name		Temwell's Part No.	TF64331F-666M
Approval No. /dated	200903092APR	Temwell's Print name	64331F 666M
Work Instruction No.	200903092BD	Date	Apr.09.2009



(3) Electric Characteristic			
Item		Specify	Performance
Center Freq.(Fo) +/- 0.5 %		666 MHz	666 MHz
Insertion Loss		Typ. 2.0 dB	0.98 dB
-1 dB Bandwidth		Typ. 90 MHz	97.4 MHz
-3 dB Bandwidth		Typ. 105 MHz	110.8 MHz
Sensitivity (Attenuation)	Fo - 102 MHz	Typ. 30 dB	33 dB
	Fo + 102 MHz	Typ. 22 dB	25 dB
	Fo - ( ) MHz	Typ. dBc	dBc
	Fo + ( ) MHz	Typ. dBc	dBc
Return Loss		Min. 12 dB	21.0 dB
Ripple		< 1 dB	dB
Impedance		In / Out : 50 Ω	In / Out : 50 Ω
(4) Torque for Tuning Screw		> 60gf · cm	
(5) Temperature Condition:			
Operating Temperature		0°C ~ +60°C	
Storage Temperature		-20°C ~ +70°C	
(6) Input Power		> 1 Watt	



Approval	Supervisor	Designer	Aperture size
C.Y.Chang	C.K.Chang	C.S.Chang	7H4(4*7.5F)(7.51) 7H046RB6.5

TEMWELL CORPORATION

# Performance-TF64331F-666M

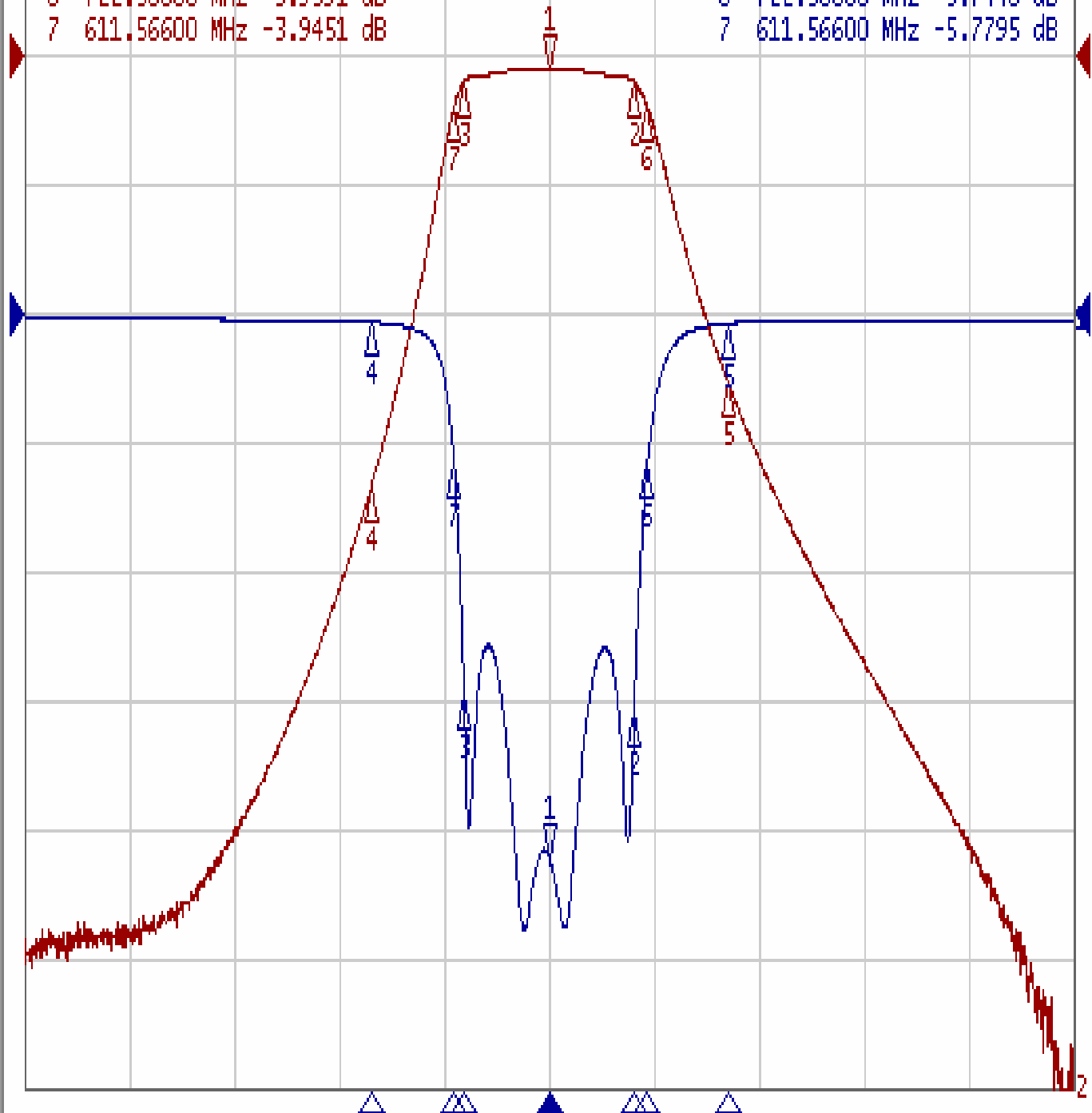
## 200903092BD

Tr1 S11 Log Mag 5.000dB/ Ref 0.000dB [F3]

Tr2 S21 Log Mag 10.00dB/ Ref 0.000dB [F3]

1	666.00000 MHz	-0.9846 dB
2	714.65500 MHz	-1.9565 dB
3	617.29450 MHz	-1.9466 dB
4	564.00000 MHz	-33.445 dB
5	768.00000 MHz	-25.199 dB
6	722.36000 MHz	-3.9591 dB
7	611.56600 MHz	-3.9451 dB

>1	666.00000 MHz	-21.064 dB
2	714.65500 MHz	-15.393 dB
3	617.29450 MHz	-14.812 dB
4	564.00000 MHz	-0.2944 dB
5	768.00000 MHz	-0.3354 dB
6	722.36000 MHz	-5.7446 dB
7	611.56600 MHz	-5.7795 dB



1 Center 666 MHz

IFBW 10 kHz

Span 600 MHz

