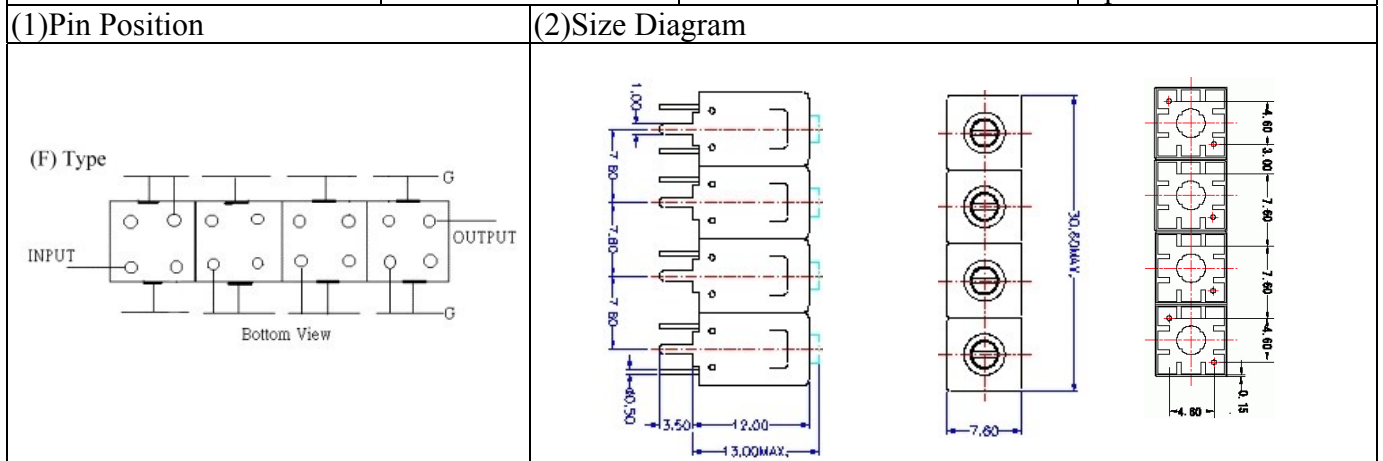


VHF UHF Helical Filter Specification Sheet

Customer Name		Temwell's Part No.	TF64332F-666M
Approval No. /dated	200903094APR	Temwell's Print name	64332F 666M
Work Instruction No.	200903094BD	Date	Apr.10.2009



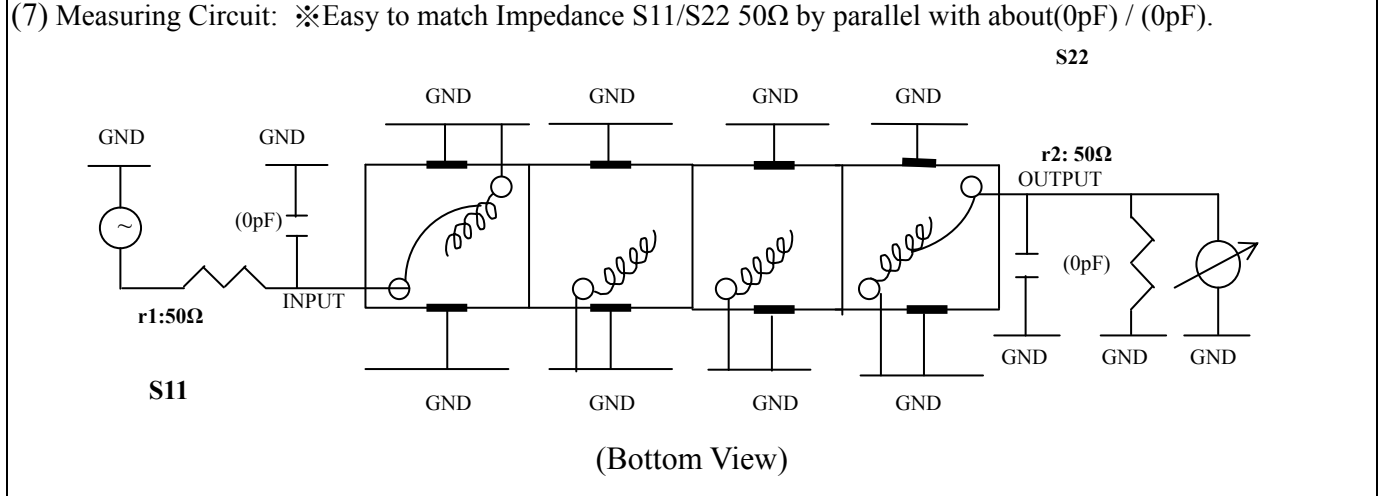
(3) Electric Characteristic		Item	Specify	Performance
Center Freq.(Fo) +/- 0.5 %			666 MHz	666 MHz
Insertion Loss		Typ.	2.0 dB	1.03 dB
-1 dB Bandwidth		Typ.	102 MHz	107.2 MHz
-3 dB Bandwidth		Typ.	115 MHz	119.1 MHz
Sensitivity (Attenuation)	Fo - 114 MHz	Typ.	35 dB	38 dB
	Fo + 114 MHz	Typ.	22 dB	25 dB
	Fo - () MHz	Typ.	dBc	dBc
	Fo + () MHz	Typ.	dBc	dBc
Return Loss		Min.	12 dB	17.1 dB
Ripple			< 1 dB	dB
Impedance			In / Out : 50 Ω	In / Out : 50 Ω

(4) Torque for Tuning Screw > 60gf · cm

(5) Temperature Condition:

Operating Temperature	0°C ~ +60°C
Storage Temperature	-20°C ~ +70°C

(6) Input Power > 1Watt



Approval	Supervisor	Designer	Aperture size
C.Y.Chang	C.K.Chang	C.S.Chang	7H4(4*7.5F)(7.52) 7H046RB6.5

TEMWELL CORPORATION

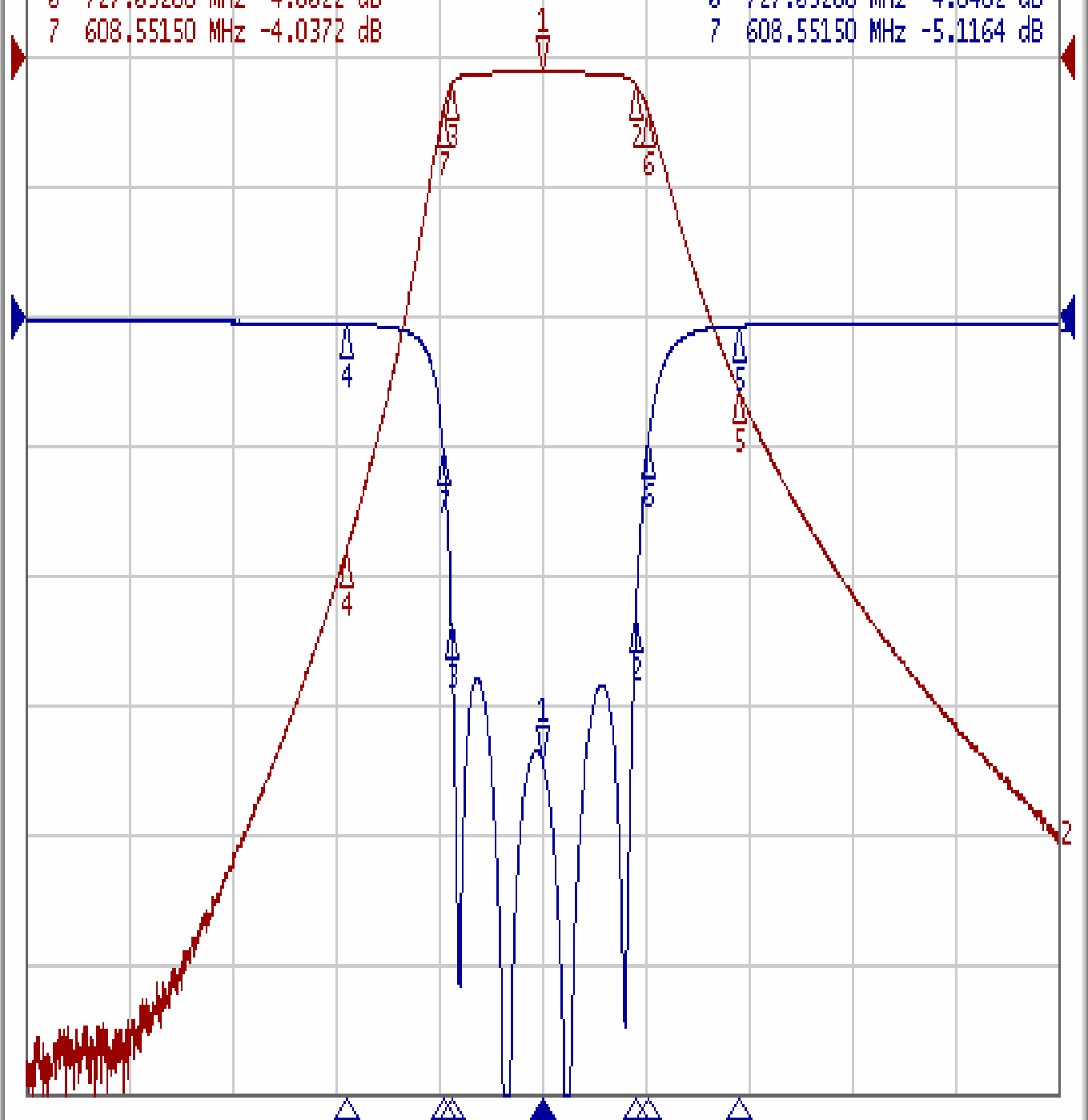
Performance-TF64332F-666M

200903094BD

Tr1 S11 Log Mag 5.000dB/ Ref 0.000dB [F3]
Tr2 S21 Log Mag 10.000dB/ Ref 0.000dB [F3]

1	666.00000 MHz	-1.0334 dB
2	720.59900 MHz	-2.0403 dB
3	613.35450 MHz	-2.0474 dB
4	552.00000 MHz	-38.168 dB
5	780.00000 MHz	-25.575 dB
6	727.65200 MHz	-4.0622 dB
7	608.55150 MHz	-4.0372 dB

>1	666.00000 MHz	-17.103 dB
2	720.59900 MHz	-11.581 dB
3	613.35450 MHz	-11.912 dB
4	552.00000 MHz	-0.2396 dB
5	780.00000 MHz	-0.3268 dB
6	727.65200 MHz	-4.8402 dB
7	608.55150 MHz	-5.1164 dB



1 Center 666 MHz

IFBW 10 kHz

Span 600 MHz

