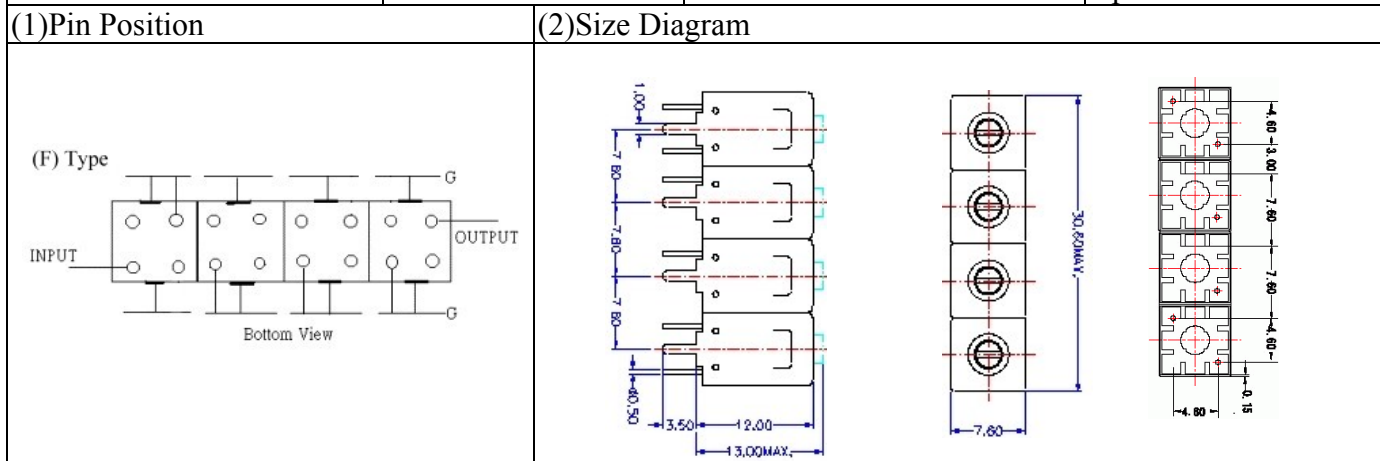


VHF UHF Helical Filter Specification Sheet

Customer Name		Temwell's Part No.	TF64333F-666M
Approval No. /dated	200903096APR	Temwell's Print name	64333F 666M
Work Instruction No.	200903096BD	Date	Apr.14.2009



(3) Electric Characteristic

Item	Specify	Performance
Center Freq.(Fo) +/- 0.5 %	666 MHz	666 MHz
Insertion Loss	Typ. 2.0 dB	0.83 dB
-1 dB Bandwidth	Typ. 114 MHz	118.1 MHz
-3 dB Bandwidth	Typ. 125 MHz	132.0 MHz
Sensitivity (Attenuation)	Fo - 126 MHz	Typ. 33 dB
	Fo + 126 MHz	Typ. 23 dB
	Fo - () MHz	Typ. dBc
	Fo + () MHz	Typ. dBc
Return Loss	Min. 12 dB	22.1 dB
Ripple	< 1 dB	dB
Impedance	In / Out : 50 Ω	In / Out : 50 Ω

(4) Torque for Tuning Screw > 60gf · cm

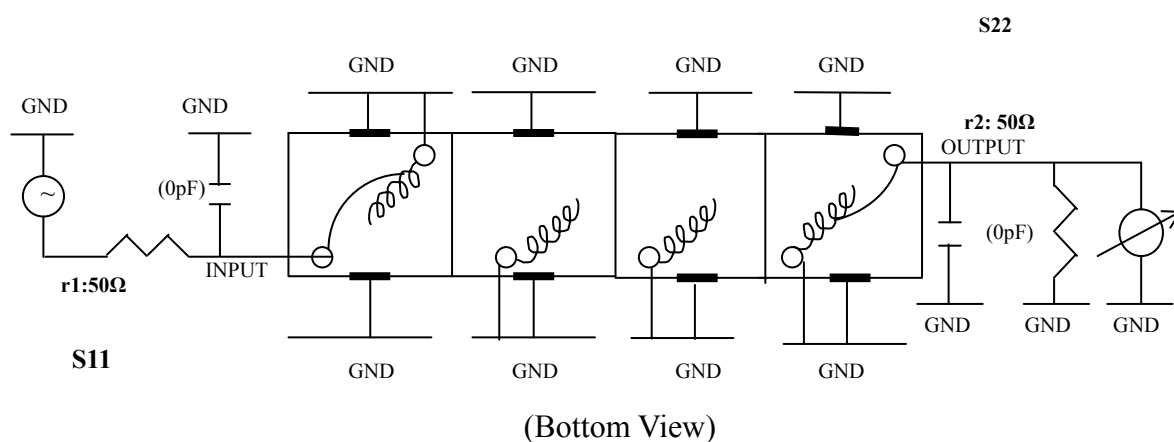
(5) Temperature Condition:

Operating Temperature 0°C ~ +60°C

Storage Temperature -20°C ~ +70°C

(6) Input Power > 1Watt

(7) Measuring Circuit: ※Easy to match Impedance S11/S22 50Ω by parallel with about(0pF) / (0pF).



Approval	Supervisor	Designer	Aperture size
C.Y.Chang	C.K.Chang	C.S.Chang	7H4(4*7.5F)(7.52) 7H046RB6.5

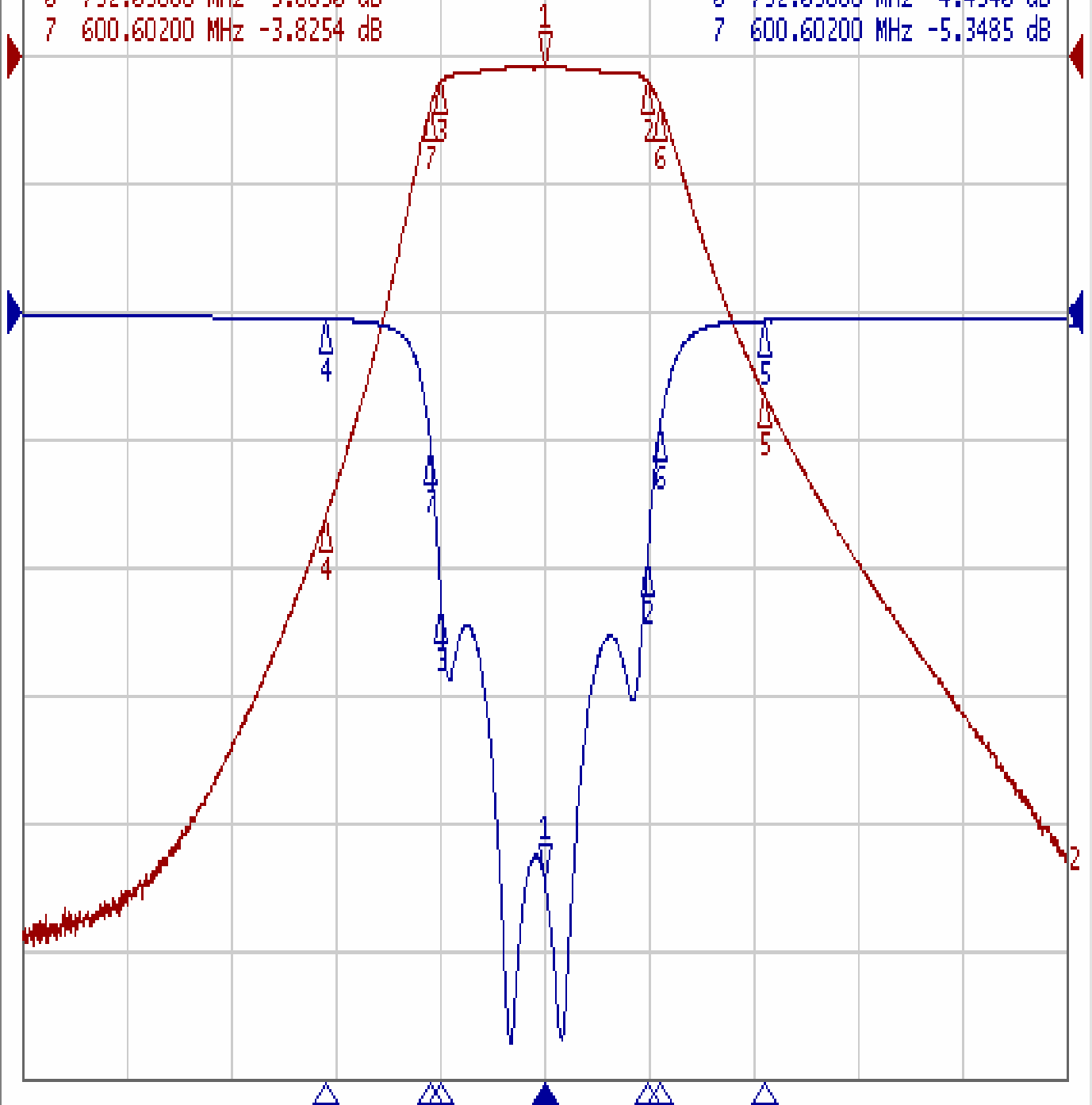
TEMWELL CORPORATION

Performance-TF64333F-666M

200903096BD

Tr1 S11 Log Mag 5.000dB/ Ref 0.000dB [F3]
Tr2 S21 Log Mag 10.000dB/ Ref 0.000dB [F3]

1	666.00000 MHz	-0.8361 dB	>1	666.00000 MHz	-22.195 dB
2	725.01200 MHz	-1.8692 dB	2	725.01200 MHz	-9.7853 dB
3	606.92100 MHz	-1.8940 dB	3	606.92100 MHz	-11.644 dB
4	540.00000 MHz	-36.160 dB	4	540.00000 MHz	-0.2632 dB
5	792.00000 MHz	-26.360 dB	5	792.00000 MHz	-0.3187 dB
6	732.65800 MHz	-3.8036 dB	6	732.65800 MHz	-4.4546 dB
7	600.60200 MHz	-3.8254 dB	7	600.60200 MHz	-5.3485 dB



1 Center 666 MHz

IFBW 10 kHz

Span 600 MHz

C?