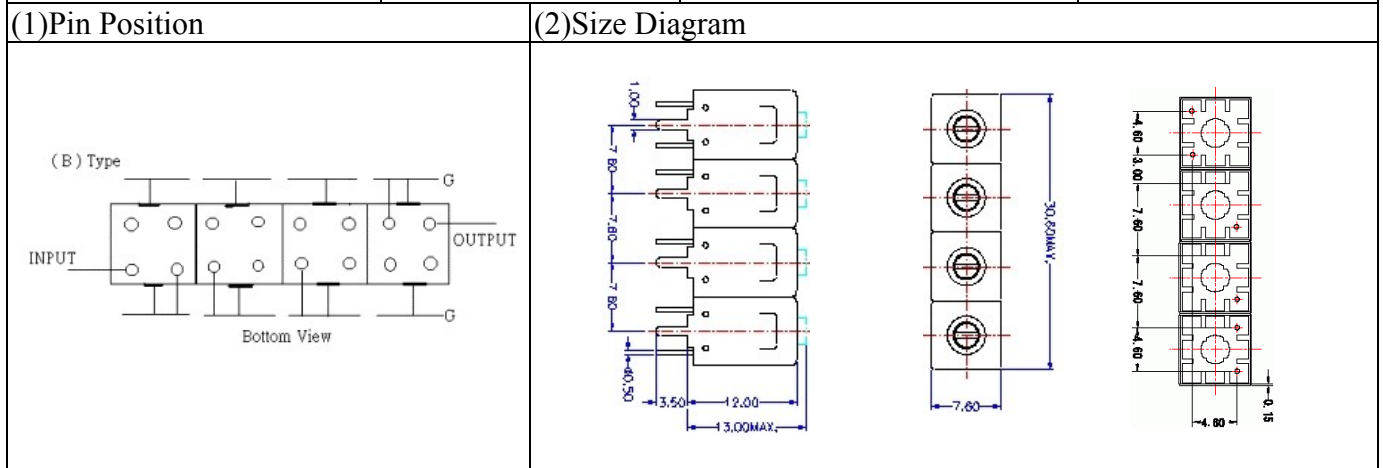


VHF UHF Helical Filter Specification Sheet

Customer Name		Temwell's Part No.	TF64334B-325M
Approval No. /dated	0904100ED	Temwell's Print Name	64334B 325M
Work Instruction No.	200904100ED	Date	APR.09.2009



(3) Electric Characteristic

Item	Specify	Performance	
Center Freq.(Fo) +/- 0.5 %	325 MHz	325 MHz	
Insertion Loss	Typ. 4.5 dB	3.10 dB	
-3 dB Bandwidth	Typ. 10 MHz	12.5 MHz	
Sensitivity (Attenuation)	Fo - 20 MHz	Typ. 46 dBc	49 dBc
	Fo + 20 MHz	Typ. 33 dBc	35 dBc
	Fo - ()MHz	Typ. dBc	dBc
	Fo +()MHz	Typ. dBc	dBc
Return Loss	Min. 12 dB	43.1 dB	
Ripple	< 1 dB	dB	
Impedance	In / Out : 50 Ω	In / Out : 50 Ω	
(4) Torque for Tuning Screw	> 100gf · cm		

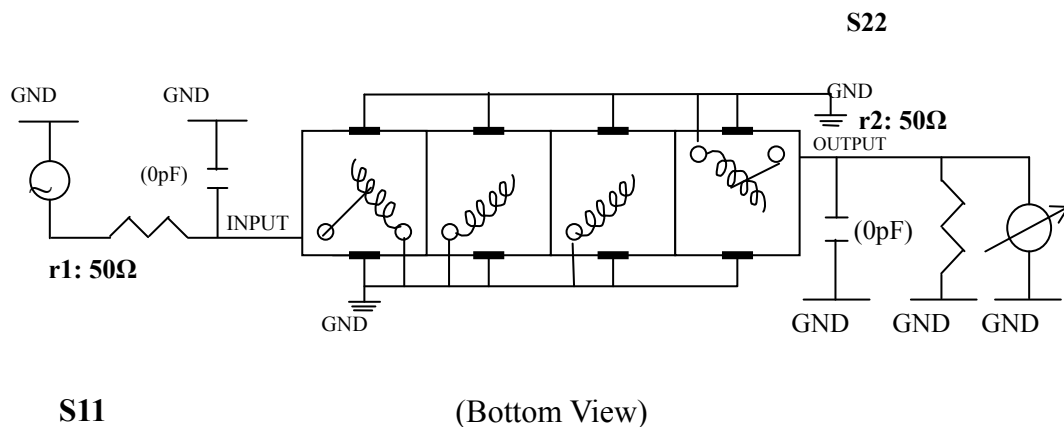
(5) Temperature Condition:

Operating Temperature	0°C ~ +60°C
Storage Temperature	-20°C ~ +70°C

(6) Input Power

> 1 Watt

(7) Measuring Circuit: ※Easy to match Impedance S11/S22 50Ω/ by parallel with about(0pF) / (0 pF).



Approval	Supervisor	Designer	Aperture size
C.Y.Chang	C.K.Chang	J.F.Lin	7H4(4*6.5F) (7H046LB4.3)聚 3

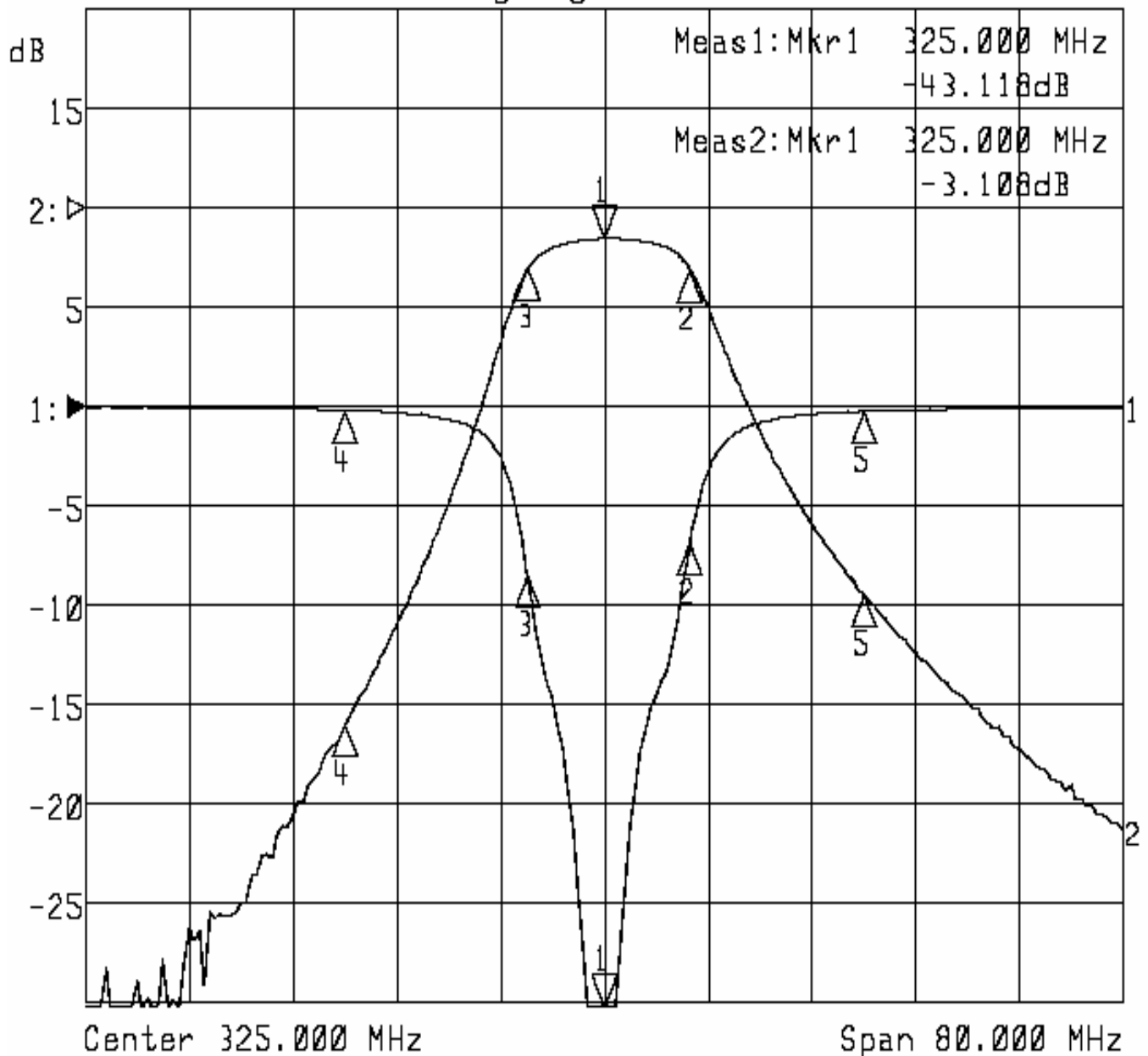
TEMWELL CORPORATION

Performance-TF64334B-325M

200904100ED

►1:S11 Refl Port1 Log Mag 5.0 dB/ Ref 0.00 dB C

►2:S21 Fwd Trans Log Mag 10.0 dB/ Ref 0.00 dB C



1: Mkr (MHz)	dB	2: Mkr (MHz)	dB
1> 325.0000	-43.118	1> 325.0000	-3.108
2: 331.6133	-6.869	2: 331.6133	-6.142
3: 319.1067	-8.539	3: 319.1067	-6.122
4: 305.0000	-0.264	4: 305.0000	-52.048
5: 345.0000	-0.251	5: 345.0000	-38.935