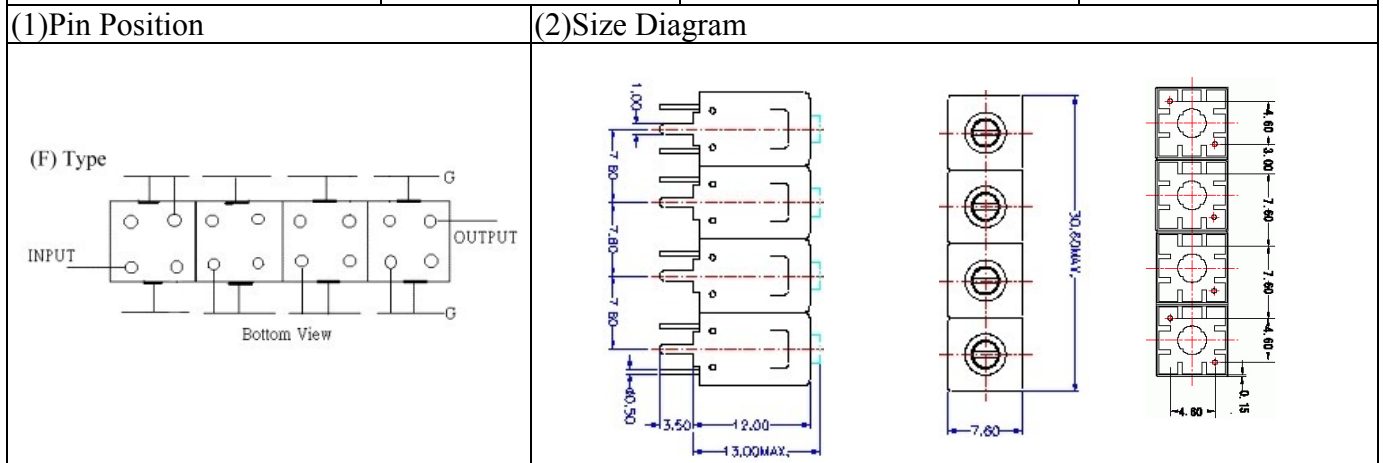


# VHF UHF Helical Filter Specification Sheet

Customer Name		Temwell's Part No.	TF64336F-575M
Approval No. /dated	201206075CD	Temwell's Print Name	64336F 575M
Work Instruction No.	201206075CD	Date	Jun.25.2012



(3) Electric Characteristic

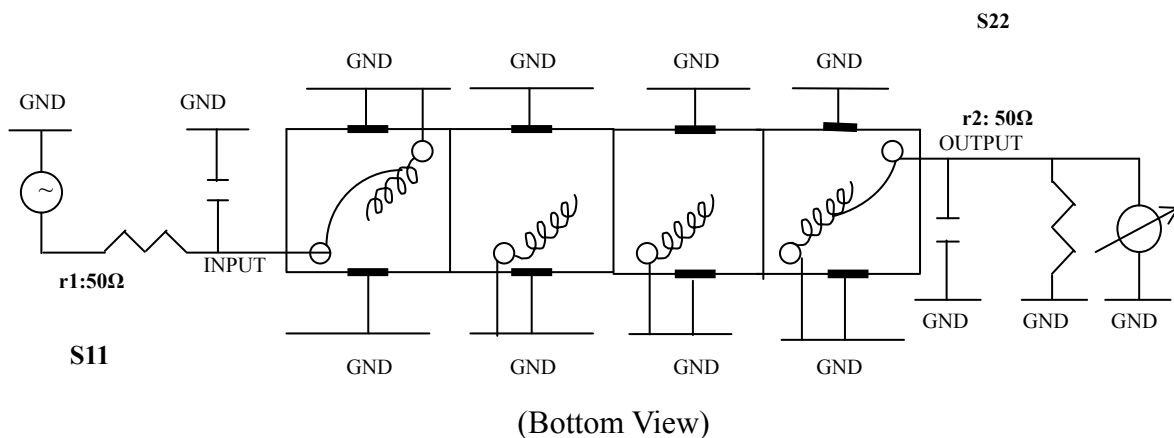
Item	Specify	Performance	
Center Freq.(Fo) +/- 0.5 %	575 MHz	575 MHz	
Insertion Loss	Typ. 2.0 dB	0.98 dB	
-3 dB Bandwidth	Typ. 120 MHz	125.1 MHz	
Sensitivity (Attenuation)	Fo - (150) MHz	Typ. 45 dBc	48 dBc
	Fo + (150) MHz	Typ. 30 dBc	33 dBc
	Fo - ( ) MHz	Typ. dBc	dBc
	Fo + ( ) MHz	Typ. dBc	dBc
Return Loss	Min. 12 dB	21.1 dB	
Ripple	< 1 dB	dB	
Impedance	In / Out : 50 Ω	In / Out : 50 Ω	
(4) Torque for Tuning Screw	> 60gf • cm		

(5) Temperature Condition:

Operating Temperature	0°C ~ +60°C
Storage Temperature	-20°C ~ +70°C

(6) Input Power > 1Watt

(7) Measuring Circuit: ※Easy to match Impedance S11/S22 50Ω by parallel with about( -- ).



Approval	Supervisor	Designer	Aperture size
C.Y.Chang	C.K.Chang	C.S.Chang	7H4S(4*8.0)(8.04) 7H046RB6.5(J1)

TEMWELL CORPORATION

# Performance-TF64336F-575M

## 201206075CD

