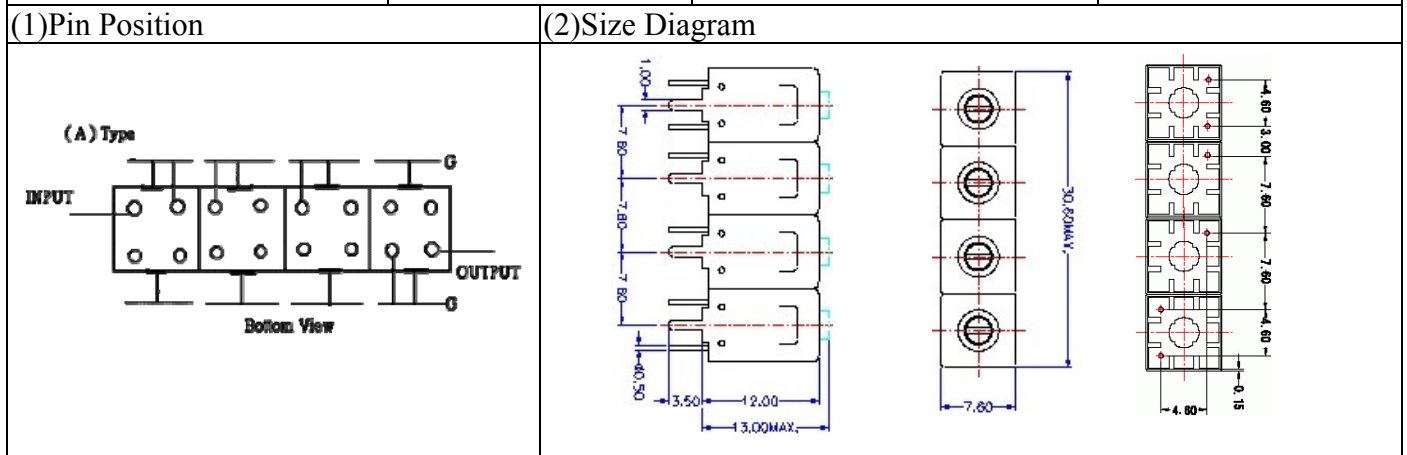


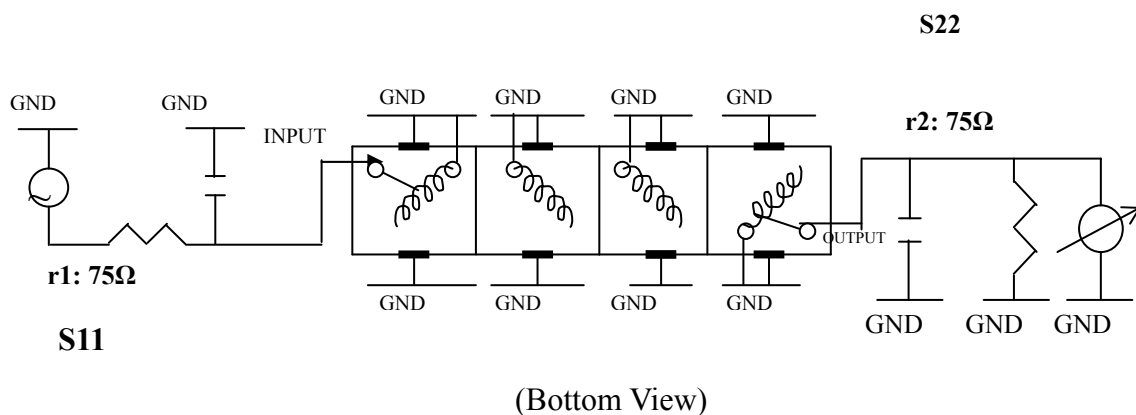
# VHF UHF Helical Filter Specification Sheet

Customer Name		Temwell's Part No.	TF64344A-577M
Approval No. /dated	201703061CD	Temwell's Print Name	64344A 577M
Work Instruction No.	201703061CD	Date	Jun.5.2017



(3) Electric Characteristic			
Item		Specify	Performance
Center Freq.(Fo) +/- 0.5 %		577 MHz	577 MHz
Insertion Loss		Typ. 2.5 dB	1.79 dB
-3 dB Bandwidth		Typ. 35 MHz	41.8 MHz
Sensitivity (Attenuation)	Fo - 100 MHz	Typ. 75 dBc	88 dBc
	Fo + 100 MHz	Typ. 40 dBc	48 dBc
	Fo - ( )MHz	Typ. dBc	dBc
	Fo +( )MHz	Typ. dBc	dBc
Return Loss		Min. 12 dB	19.6 dB
Ripple		< 1 dB	dB
Impedance		In / Out : 50 Ω	In / Out : 50 Ω
(4) Torque for Tuning Screw		> 60gf • cm	
(5) Temperature Condition:			
Operating Temperature		0°C ~ +60°C	
Storage Temperature		-20°C ~ +70°C	
(6) Input Power		> 1Watt	

(7) Measuring Circuit: ※Easy to match Impedance S11/S22 /50Ω by parallel with about(- -).



Approval	Supervisor	Designer	Aperture size
C.Y.Chang	C.K.Chang	C.S.Chang	7H4S(4*5.5)(5.56) 7H046LB5(J1)
TEMWELL CORPORATION			

# Performance-TF64344A-577M

## 201703061CD

Tr1 S11 Log Mag 5.000dB/ Ref 0.000dB [F2]  
Tr2 S21 Log Mag 10.00dB/ Ref 0.000dB [F2]

