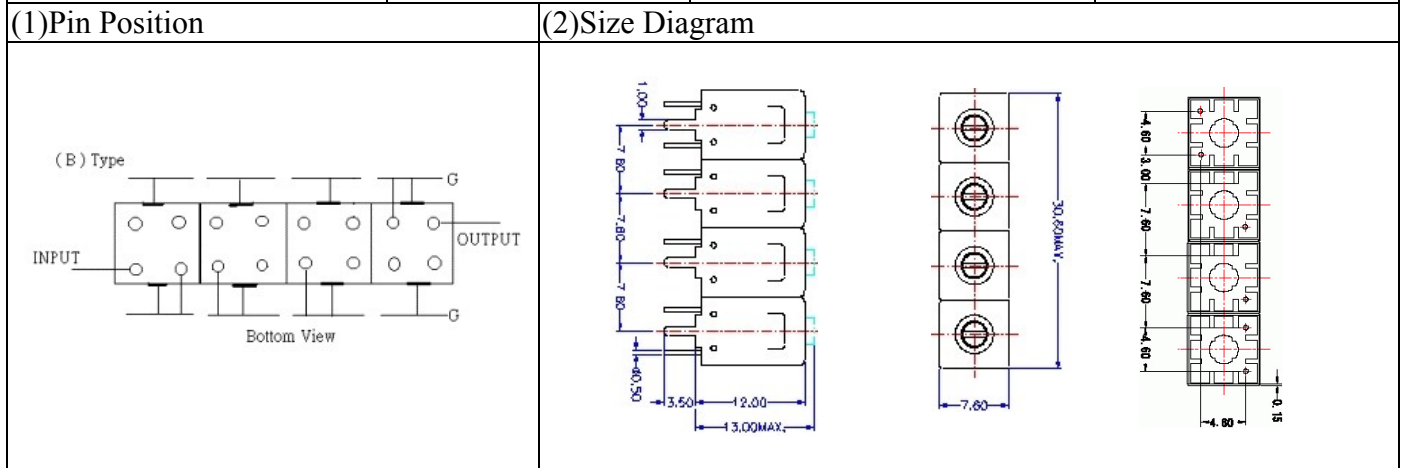


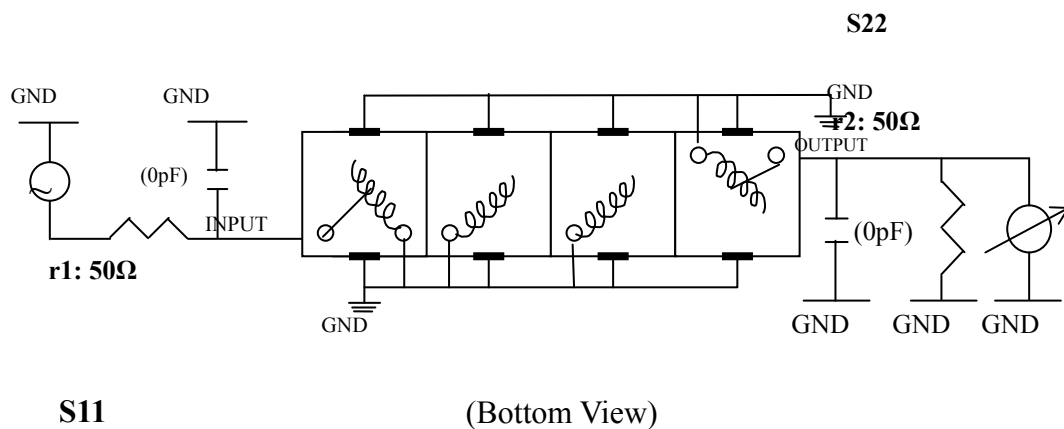
VHF UHF Helical Filter Specification Sheet

Customer Name		Temwell's Part No.	TF64347B-465M
Approval No. /dated	0906137CD	Temwell's Print Name	64347B 465M
Work Instruction No.	200906137CD	Date	Jun.26.2009



(3) Electric Characteristic			
Item		Specify	Performance
Center Freq.(Fo) +/- 0.5 %		465 MHz	465 MHz
Insertion Loss		Typ. 4.0 dB	3.75 dB
-3 dB Bandwidth		Typ. 12 MHz	14.0 MHz
Sensitivity (Attenuation)	Fo - 30 MHz	Typ. 60 dBc	63 dBc
	Fo + 30 MHz	Typ. 41 dBc	44 dBc
	Fo - ()MHz	Typ. dBc	dBc
	Fo +()MHz	Typ. dBc	dBc
Return Loss		Min. 12 dB	32.5 dB
Ripple		< 1 dB	dB
Impedance		In / Out : 50 Ω	In / Out : 50 Ω
(4) Torque for Tuning Screw		> 100gf · cm	
(5) Temperature Condition:			
Operating Temperature		0°C ~ +60°C	
Storage Temperature		-20°C ~ +70°C	
(6) Input Power		> 1 Watt	

(7) Measuring Circuit: ※Easy to match Impedance S11/S22 50Ω/ by parallel with about(0pF) / (0 pF).



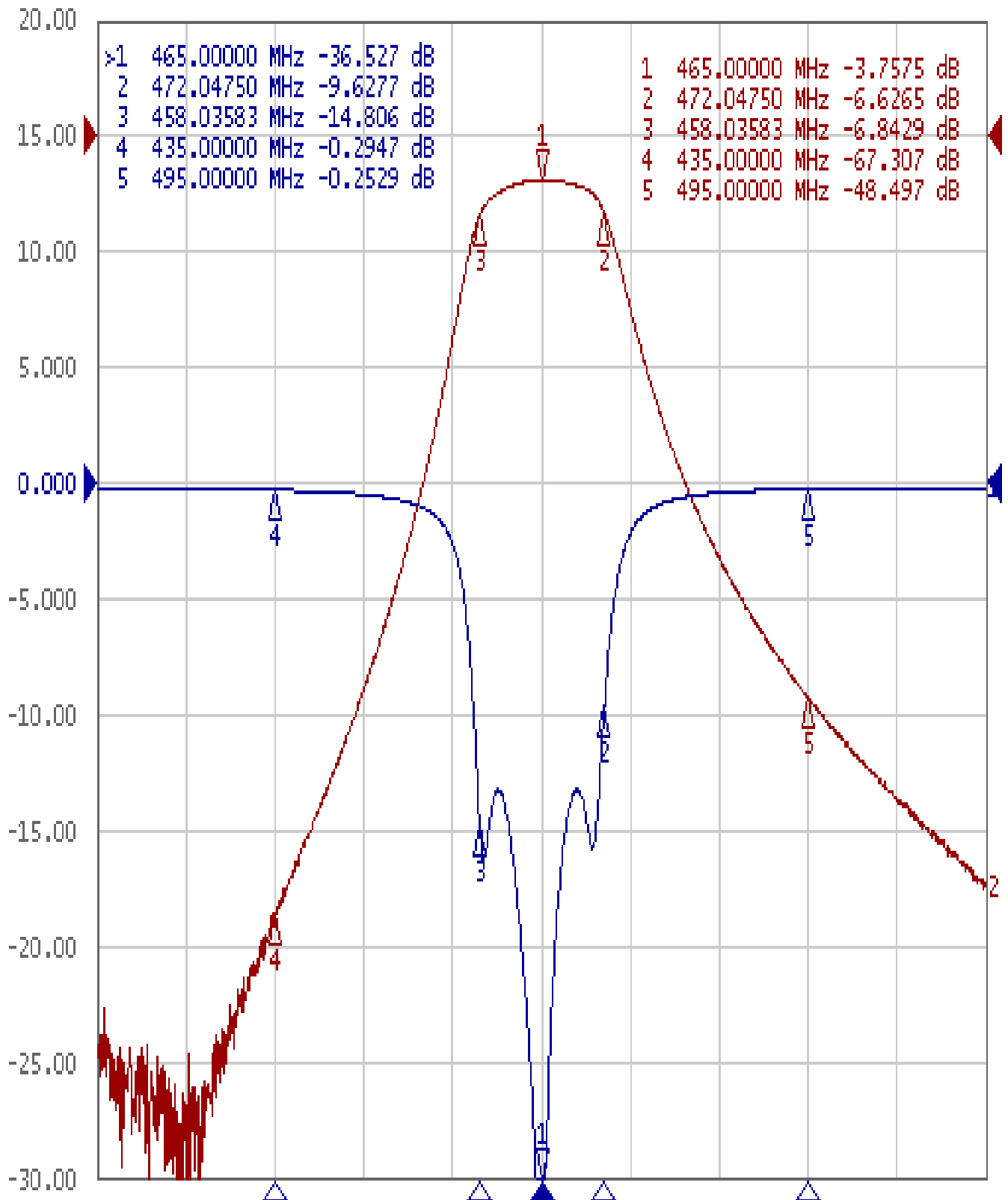
Approval	Supervisor	Designer	Aperture size
C.Y.Chang	C.K.Chang	P.H.Chiang	7H4S(4*5.5)(5.56) 7H046RB4

TEMWELL CORPORATION

Performance-TF64347B-465M

200906137CD

▶ Tr1 S11 Log Mag 5.000dB/ Ref 0.000dB [F2]
Tr2 S21 Log Mag 10.00dB/ Ref 0.000dB [F2]



1 Center 465 MHz

IFBW 10 kHz

Span 100 MHz Cor !