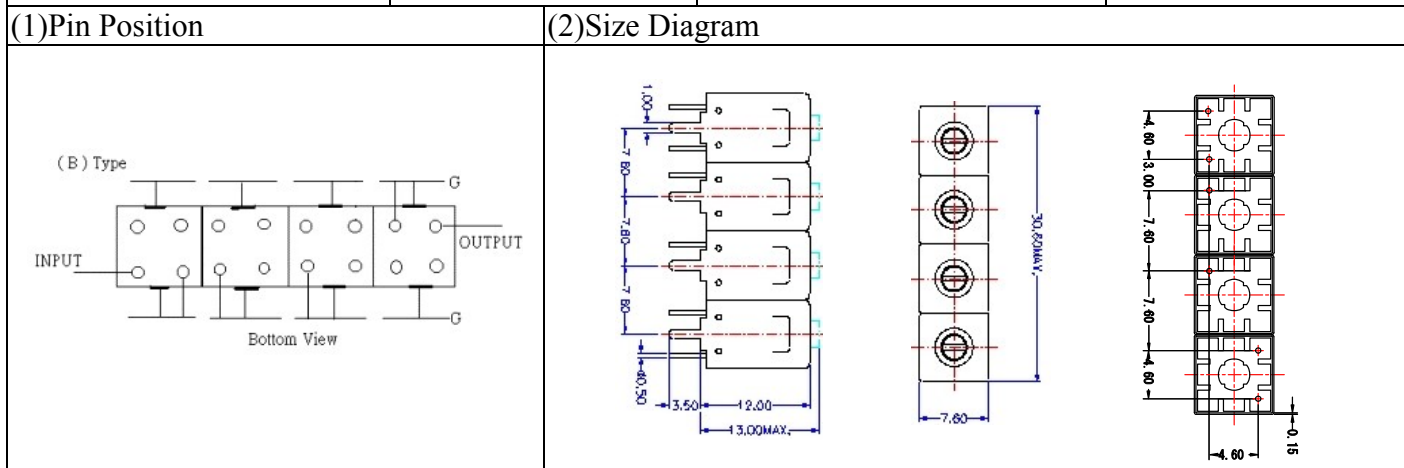


VHF UHF Helical Filter Specification Sheet

Customer Name		Temwell's Part No.	TF6434B-223.5M
Approval No. /dated	201803023CD	Temwell's Print Name	6434B 223.5M
Work Instruction No.	201803023CD	Date	Mar.22.2018



(3) Electric Characteristic

Item	Specify	Performance	
Center Freq.(Fo) +/- 0.5 %	223.5 MHz	223.5 MHz	
Insertion Loss	Typ. 4.0 dB	3.01 dB	
-3 dB Bandwidth	Typ. 8 MHz	9.8 MHz	
Sensitivity (Attenuation)	Fo - 50 MHz	Typ. 65 dBc	77 dBc
	Fo + 50 MHz	Typ. 68 dBc	80 dBc
	Fo - ()MHz	Typ. dBc	dBc
	Fo + ()MHz	Typ. dBc	dBc
Return Loss	Min. 12 dB	38.8 dB	
Ripple	< 1 dB	dB	
Impedance	In / Out : 50 Ω	In / Out : 50 Ω	
(4) Torque for Tuning Screw	> 60gf · cm		

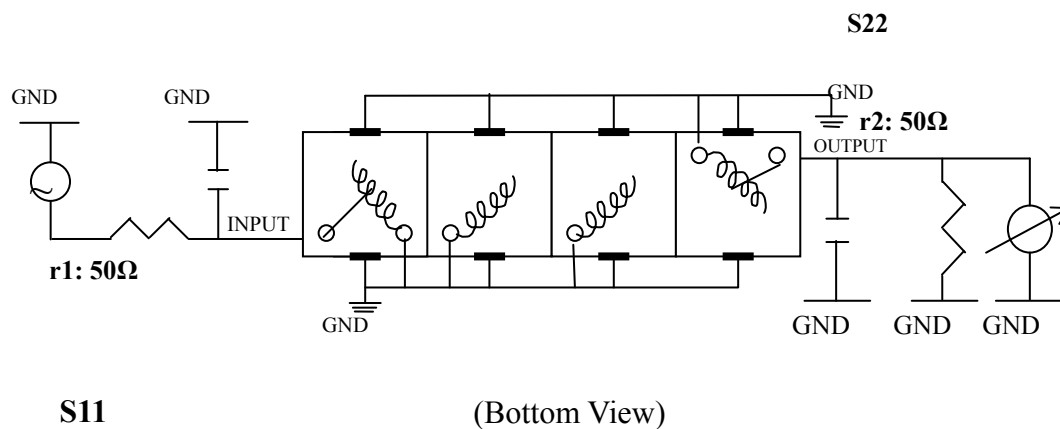
(5) Temperature Condition:

Operating Temperature	0°C ~ +60°C
Storage Temperature	-20°C ~ +70°C

(6) Input Power

> 1Watt

(7) Measuring Circuit: ※Easy to match Impedance S11/S22 50Ω by parallel with about(- -).

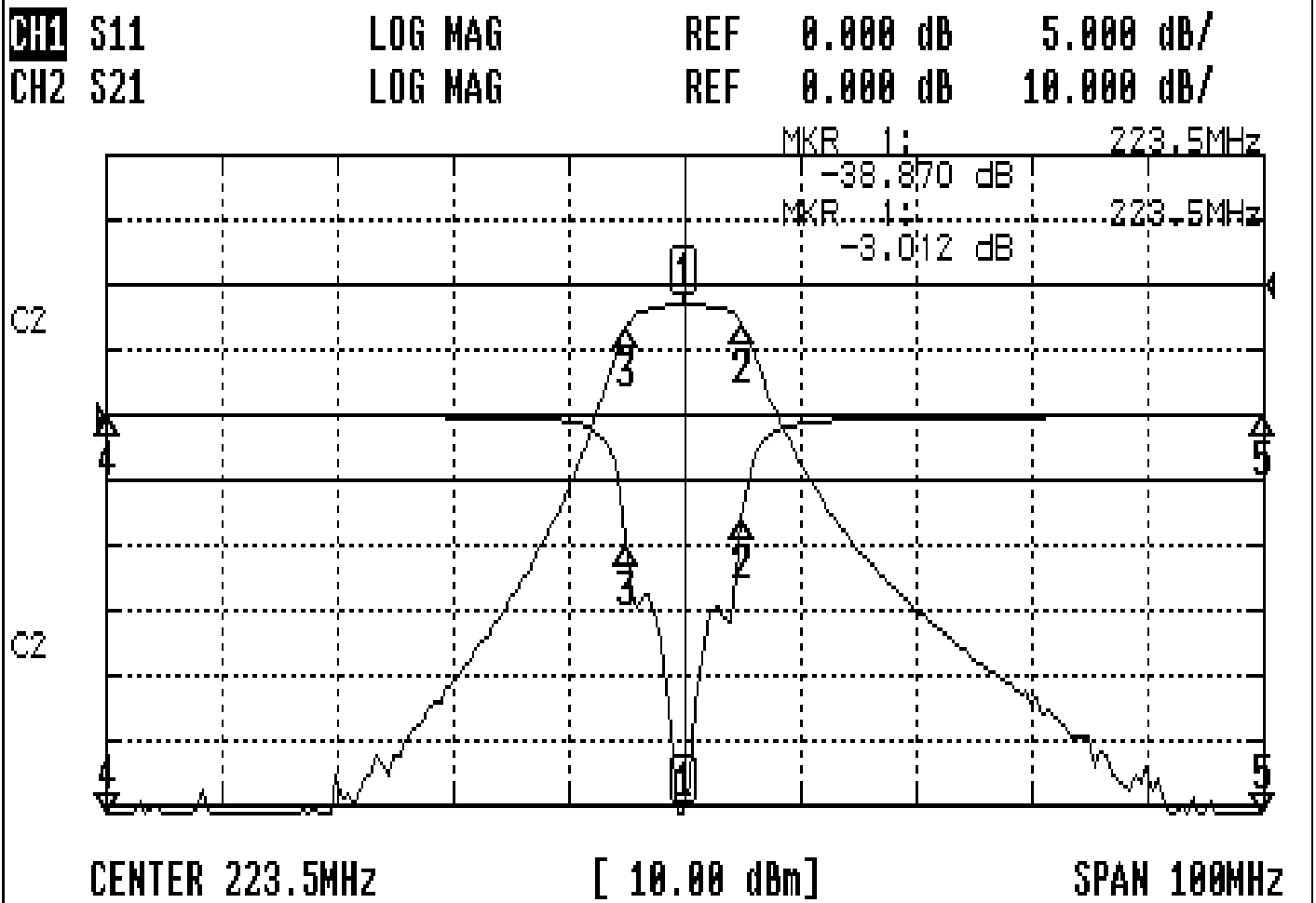


Approval	Supervisor	Designer	Aperture size
C.Y.Chang	C.K.Chang	M.Y.Kang	7H4S(4*5.6)(5.66) 7H024LB4

TEMWELL CORPORATION

Performance-TF6434B-223.5M

201803023CD



CH1 MARKER LIST

1:	223.500MHz	-38.870	dB
2:	228.480MHz	-8.256	dB
3:	218.600MHz	-10.305	dB
4:	173.500MHz	-0.083	dB
5:	273.500MHz	-0.089	dB
6:			
7:			
8:			
9:			
10:			

CH2 MARKER LIST

1:	223.500MHz	-3.014	dB
2:	228.480MHz	-6.050	dB
3:	218.600MHz	-6.043	dB
4:	173.500MHz	-80.967	dB
5:	273.500MHz	-83.854	dB
6:			
7:			
8:			
9:			
10:			