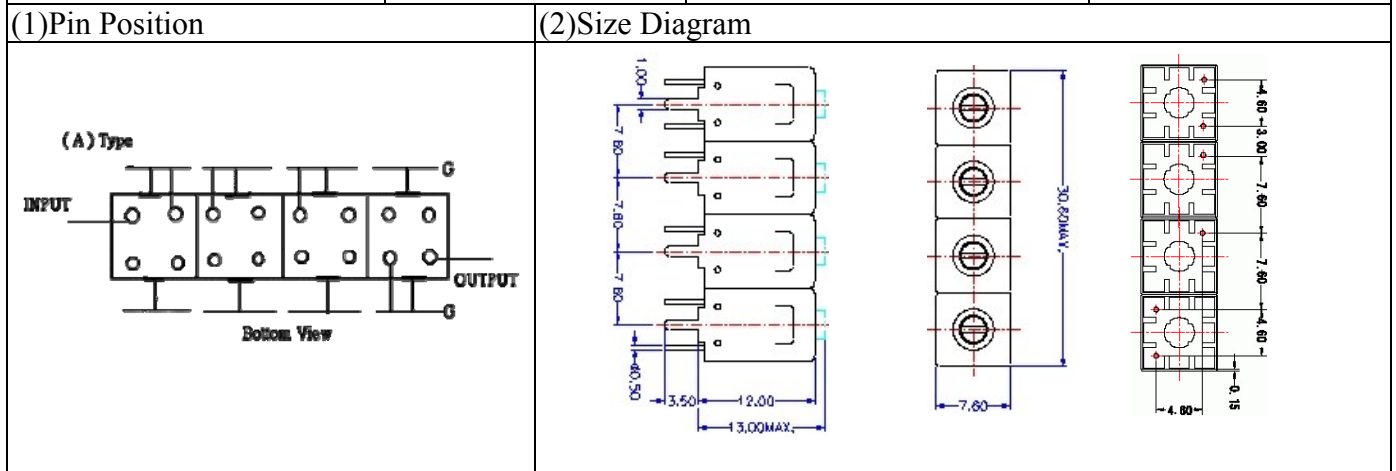


VHF UHF Helical Filter Specification Sheet

Customer Name		Temwell's Part No.	TF64358A-1150M
Approval No. /dated	0911101APR	Temwell's Print Name	64358A 1150M
Work Instruction No.	200911101BD	Date	Dec.02.2009



(3) Electric Characteristic

Item	Specify	Performance	
Center Freq.(Fo) +/- 0.75 %	1150 MHz	1150 MHz	
Insertion Loss	Typ. 6.0 dB	5.27 dB	
-3 dB Bandwidth	Typ. 15 MHz	22.8 MHz	
Sensitivity (Attenuation)	Fo - 100 MHz	Typ. 50 dBc	59 dBc
	Fo + 100 MHz	Typ. 45 dBc	55 dBc
	Fo - ()MHz	Typ. dBc	dBc
	Fo +()MHz	Typ. dBc	dBc
Return Loss	Min. 12 dB	19.5 dB	
Ripple	< 1 dB	dB	
Impedance	In / Out : 50 Ω	In / Out : 50 Ω	

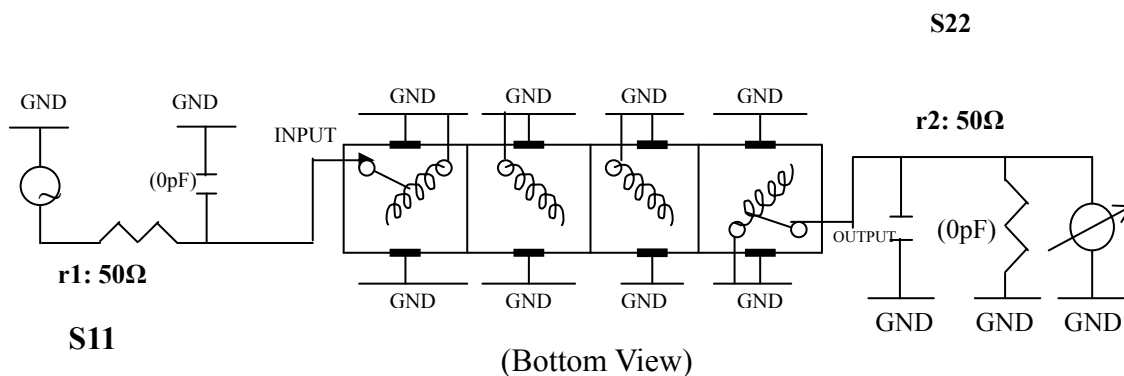
(4) Torque for Tuning Screw > 100gf • cm

(5) Temperature Condition:

Operating Temperature	-30°C ~ +70°C
Storage Temperature	-30°C ~ +80°C

(6) Input Power > 1Watt

(7) Measuring Circuit: ※Easy to match Impedance S11/S22 50Ω by parallel with about(0pF) / (0pF).



Approval	Supervisor	Designer	Aperture size
C.Y.Chang	C.K.Chang	C.S.Chang	7H4S(4*4.65)(4.71) (7H046LB4.3 聚 3)

TEMWELL CORPORATION

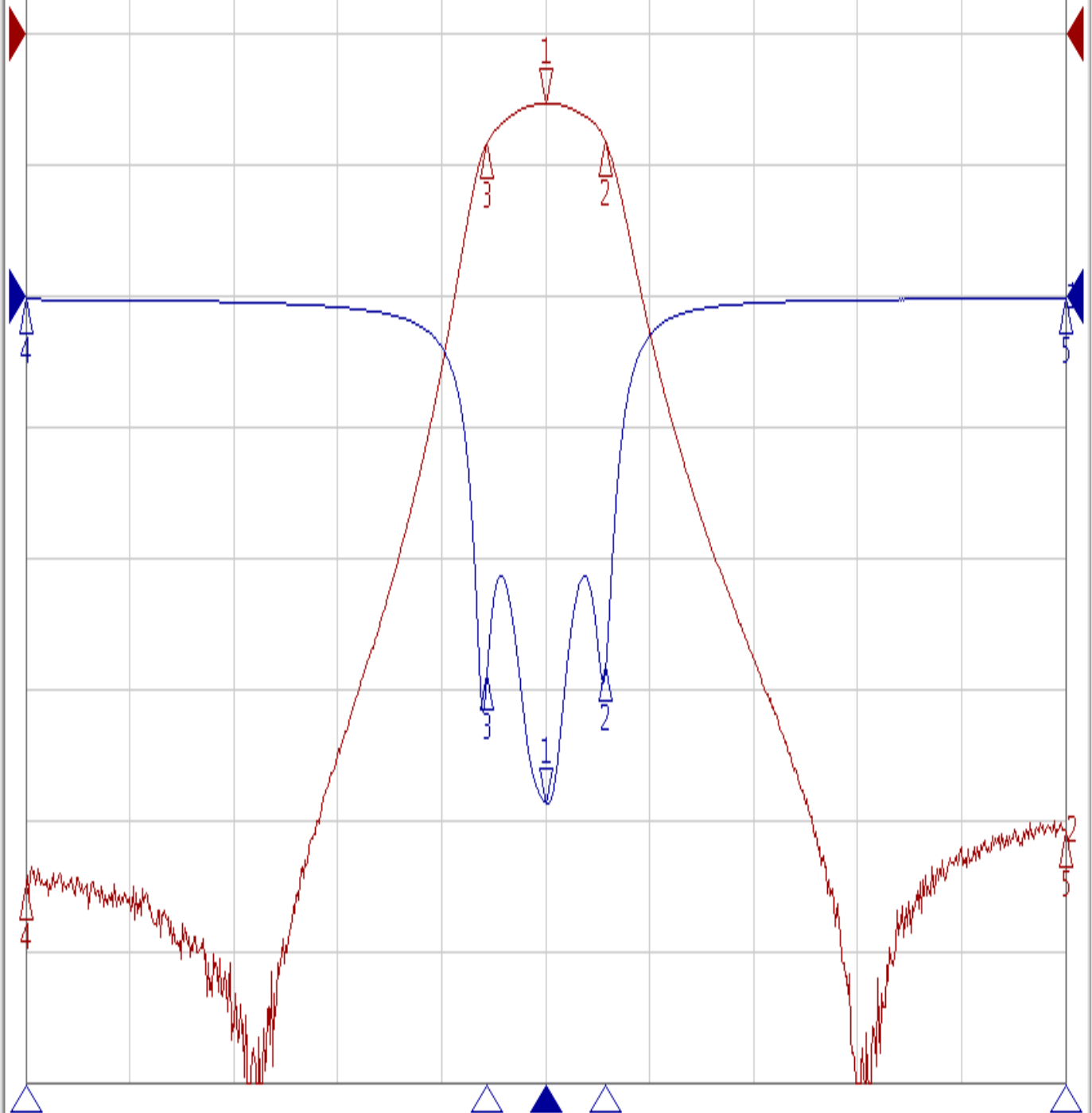
Performance-TF64358A-1150M

20091101BD

Tr1 S11 Log Mag 5.000dB/ Ref -200.0mdB [F2]
Tr2 S21 Log Mag 10.00dB/ Ref 0.000dB [F2]

1	1.150000	GHz	-5.2719	dB
2	1.161589	GHz	-8.2136	dB
3	1.138790	GHz	-8.2691	dB
4	1.050000	GHz	-64.911	dB
5	1.250000	GHz	-60.931	dB

>1	1.150000	GHz	-19.559	dB
2	1.161589	GHz	-14.258	dB
3	1.138790	GHz	-14.624	dB
4	1.050000	GHz	-0.3129	dB
5	1.250000	GHz	-0.2998	dB



1 Center 1.15 GHz

IFBW 10 kHz

Span 200 MHz Cor !