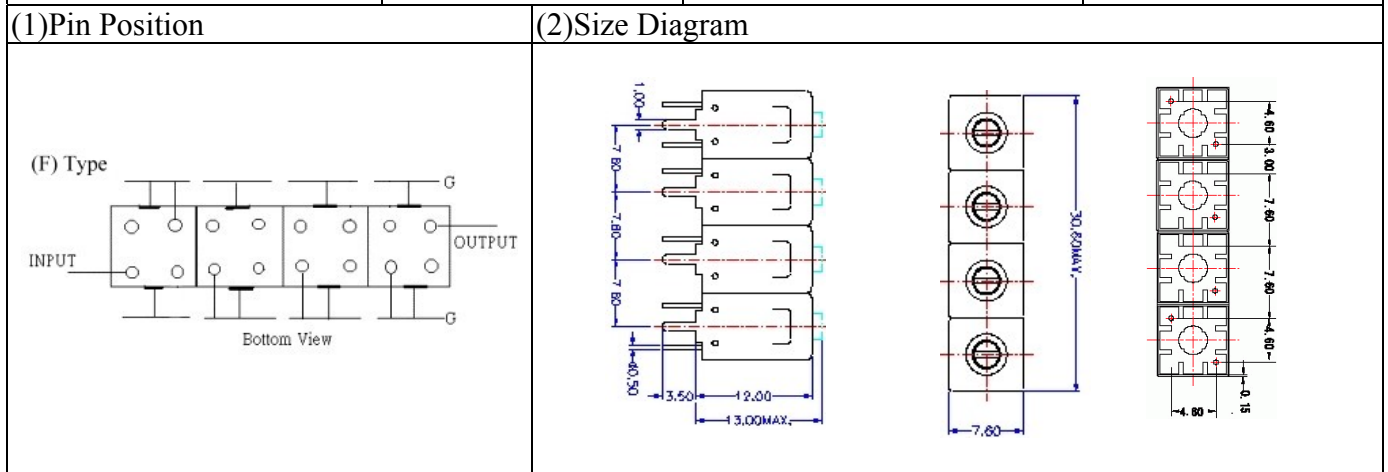
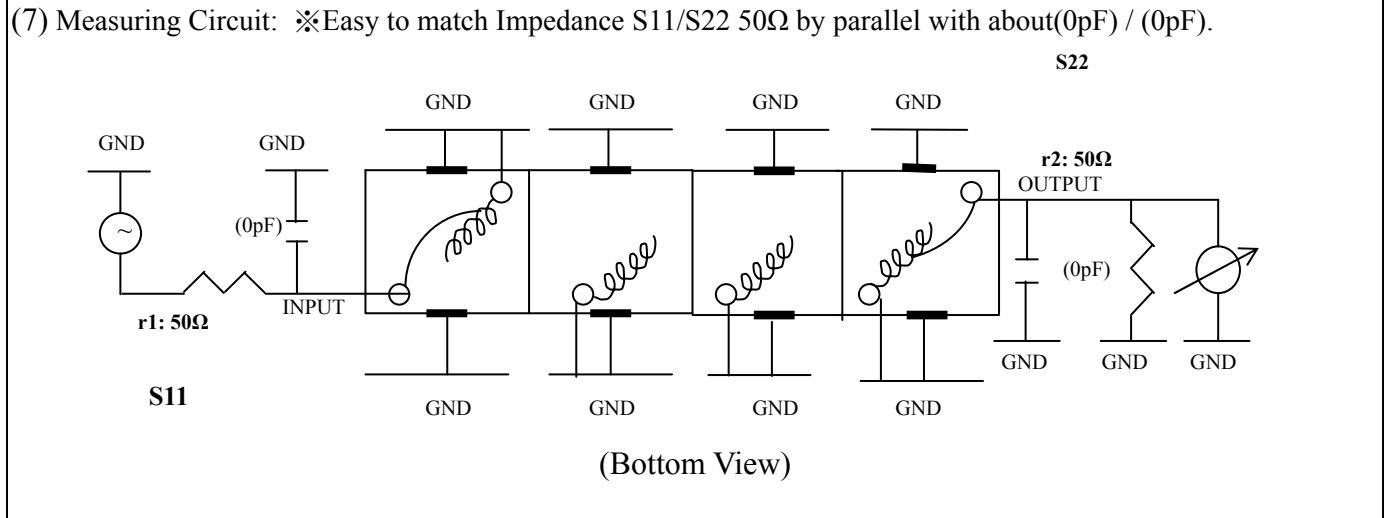


VHF UHF Helical Filter Specification Sheet

Customer Name		Temwell's Part No.	TF64326F-1300M
Approval No. /dated		Temwell's Print Name	64326F 1300M
Work Instruction No.	200912056CD	Date	Jan.15.2009



Item		Specify		Performance	
Center Freq.(Fo) +/- 0.5 %		1300	MHz	1300	MHz
Insertion Loss		Typ. 2.0	dB	1.73	dB
-3 dB Bandwidth		Typ. 200	MHz	218.6	MHz
Sensitivity (Attenuation)	Fo - (300) MHz	Typ. 51	dB	54	dB
	Fo + (300) MHz	Typ. 28	dB	31	dB
	Fo - () MHz	Typ.	dBc		dBc
	Fo + () MHz	Typ.	dBc		dBc
Return Loss		Min. 12	dB	22.6	dB
Ripple		< 1	dB		dB
Impedance		In / Out : 50 Ω		In / Out : 50 Ω	
(4) Torque for Tuning Screw		> 100gf · cm			
(5) Temperature Condition:					
Operating Temperature		0°C ~ +60°C			
Storage Temperature		-20°C ~ +70°C			
(6) Input Power		> 1Watt			



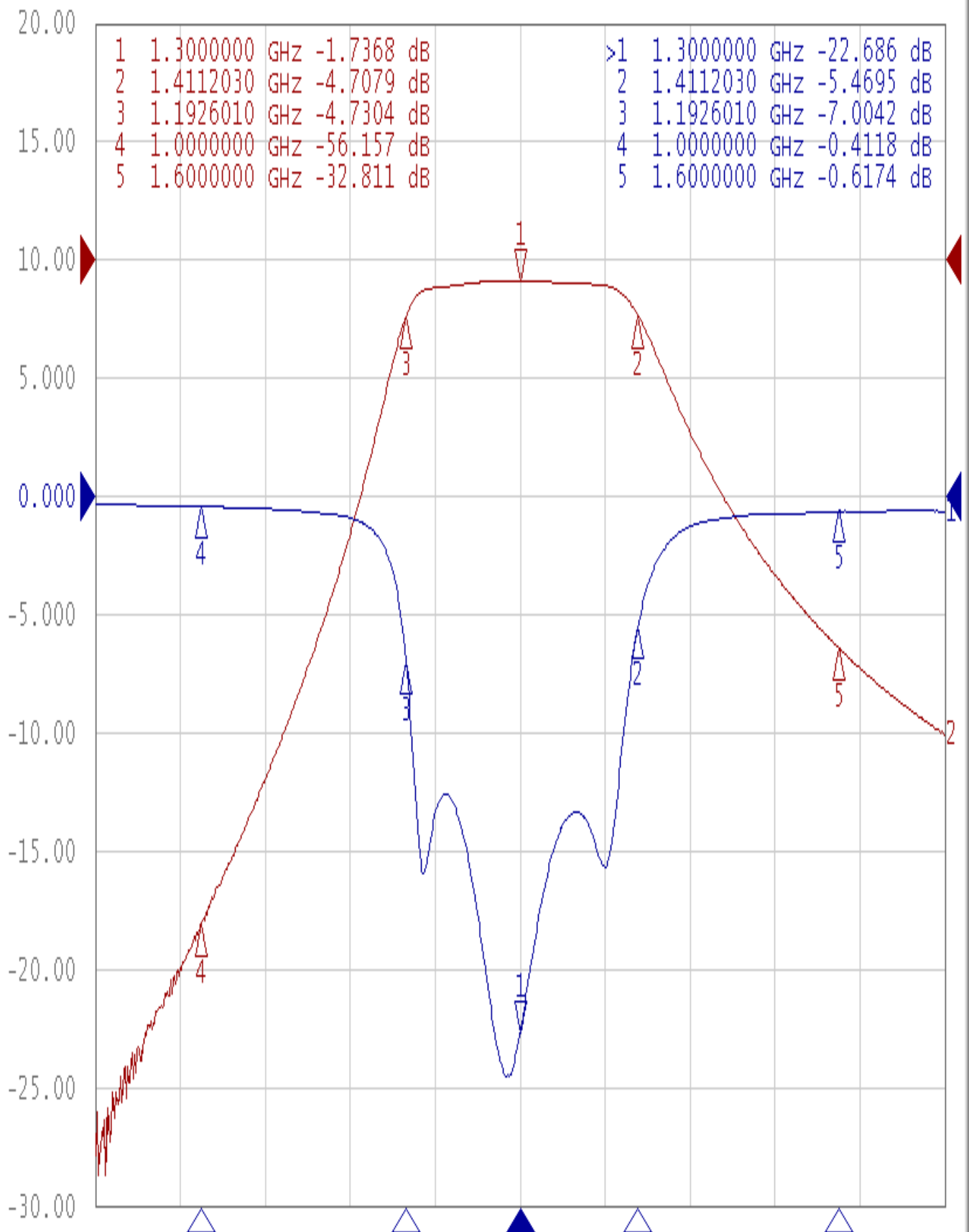
Approval	Supervisor	Designer	Aperture size
C.Y.Chang	C.K.Chang	C.S.Chang	7H4S(4*8.0)(8.04) 7H046RB6.5

TEMWELL CORPORATION

Performance-TF64362F-1300M

200912056CD

Tr1 S11 Log Mag 5.000dB/ Ref 0.000dB [F2]
Tr2 S21 Log Mag 10.00dB/ Ref 0.000dB [F2]



1 Center 1.3 GHz

IFBW 10 kHz

Span 800 MHz Cor !