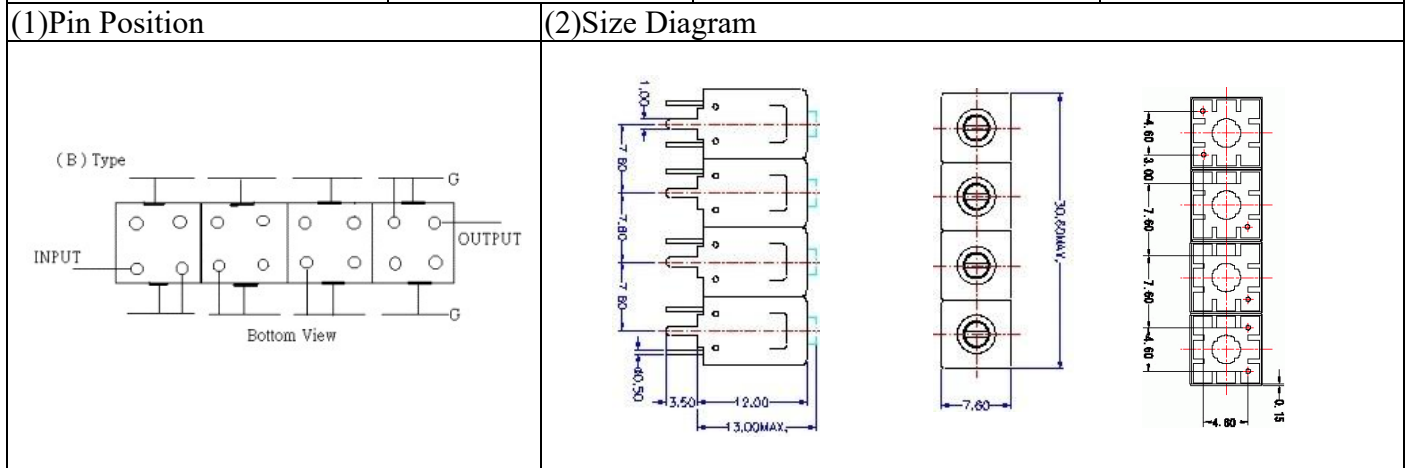


VHF UHF Helical Filter Specification Sheet

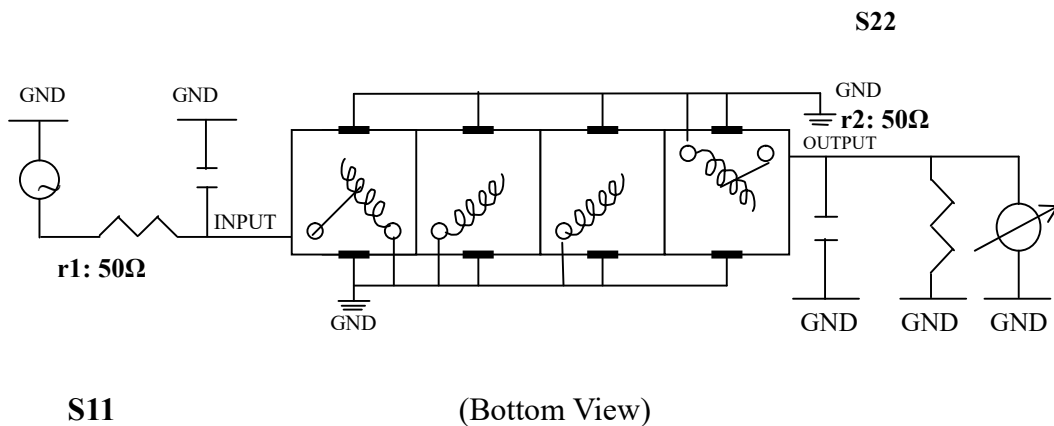
Customer Name		Temwell's Part No.	TF64366B-650M
Approval No. /dated	201206077CD	Temwell's Print Name.	64366B 650M
Work Instruction No.	201206077CD	Date	Jul.10.2012



(3) Electric Characteristic

Item	Specify	Performance	
Center Freq.(Fo) +/- 0.5 %	650 MHz	650 MHz	
Insertion Loss	Typ. 2.0 dB	0.99 dB	
-3 dB Bandwidth	Typ. 120 MHz	128.8 MHz	
Sensitivity (Attenuation)	Fo - 150 MHz	Typ. 44 dBc	47 dBc
	Fo + 150 MHz	Typ. 28 dBc	31 dBc
	Fo - ()MHz	Typ. dBc	dBc
	Fo +()MHz	Typ. dBc	dBc
Return Loss	Min. 12 dB	20.4 dB	
Ripple	< 1 dB	dB	
Impedance	In / Out : 50 Ω	In / Out : 50 Ω	
(4) Torque for Tuning Screw	> 60gf · cm		
(5) Temperature Condition:			
Operating Temperature	0°C ~ +60°C		
Storage Temperature	-20°C ~ +70°C		
(6) Input Power	> 1 Watt		

(7) Measuring Circuit: ※ Easy to match Impedance S11/S22 50Ω/ by parallel with about(--)



Approval	Supervisor	Designer	Aperture size
C.Y.Chang	C.K.Chang	C.S.Chang	7H4S(4*8.0)(8.02) 7H046LB6.6
TEMWELL CORPORATION			

Performance-TF64366B-650M

201206077CD

