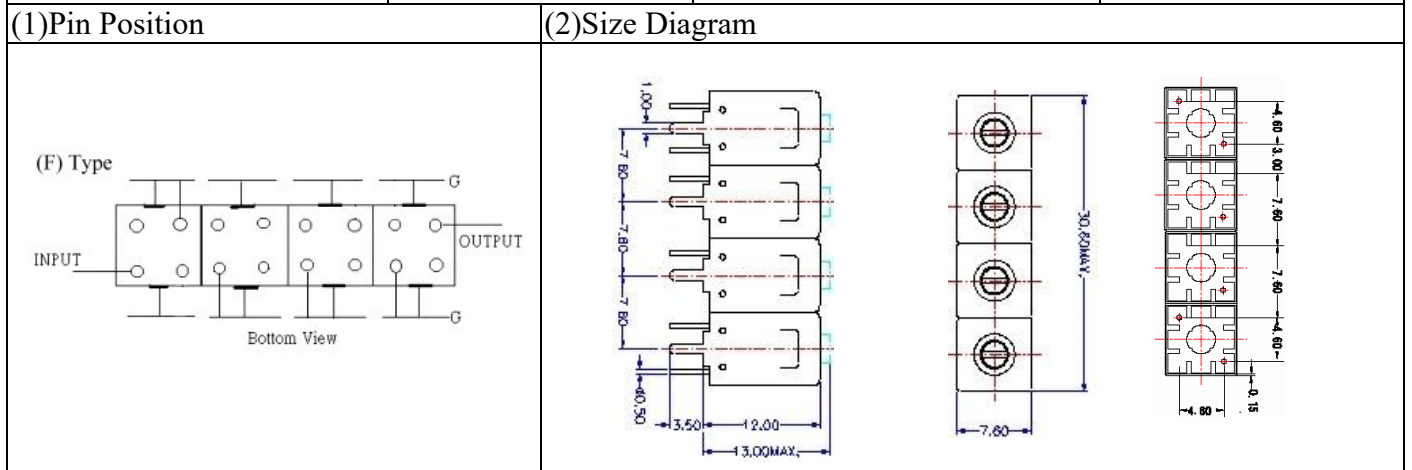


VHF UHF Helical Filter Specification Sheet

Customer Name		Temwell's Part No.	TF64369F-455M
Approval No. /dated	1002087CD	Temwell's Print name	64369F 455M
Work Instruction No.	201002087CD	Date	Feb.08.2010



(3) Electric Characteristic		Item	Specify	Performance
		Center Freq.(Fo) +/- 0.5 %	455 MHz	455 MHz
		Insertion Loss	Typ. 3.5 dB	2.87 dB
		-3 dB Bandwidth	Typ. 15 MHz	17.7 MHz
Sensitivity (Attenuation)	Fo - (30) MHz	Typ. 40 dBc		46 dBc
	Fo + (30) MHz	Typ. 35 dBc		39 dBc
	Fo - () MHz	Typ. dBc		dBc
	Fo + () MHz	Typ. dBc		dBc
		Return Loss	Min. 12 dB	20.0 dB
		Ripple	< 1 dB	dB
		Impedance	In / Out : 50 Ω	In / Out : 50 Ω

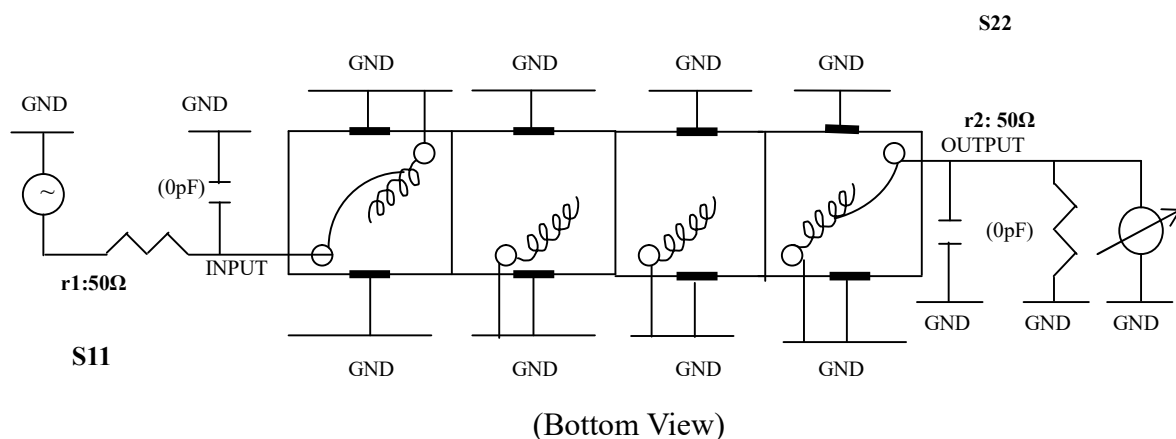
(4) Torque for Tuning Screw > 60gf · cm

(5) Temperature Condition:

Operating Temperature	0°C ~ +60°C
Storage Temperature	-20°C ~ +70°C

(6) Input Power > 1 Watt

(7) Measuring Circuit: ※ Easy to match Impedance S11/S22 50Ω by parallel with about(0pF) / (0pF).



Approval	Supervisor	Designer	Aperture size
C.Y.Chang	C.K.Chang	P.H.Chiang	7H3S(4*6.5)(6.54) 7H046RB4

TEMWELL CORPORATION

Performance-TF64369F-455M

201002087CD

▶ Tr1 S11 Log Mag 5.000dB/ Ref 0.000dB [F2]
Tr2 S21 Log Mag 10.00dB/ Ref 0.000dB [F2]

