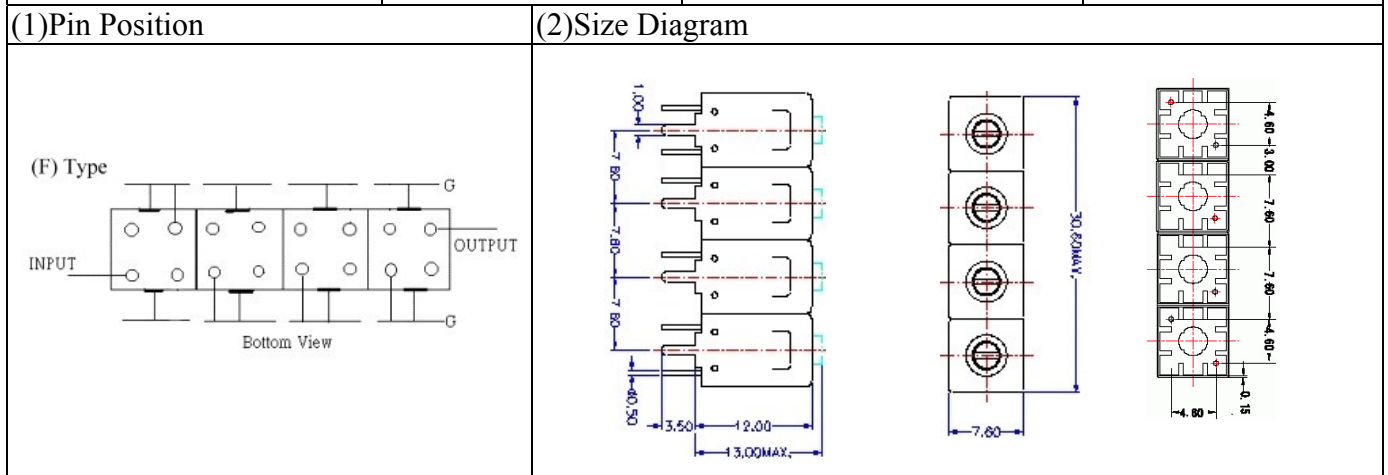


# VHF UHF Helical Filter Specification Sheet

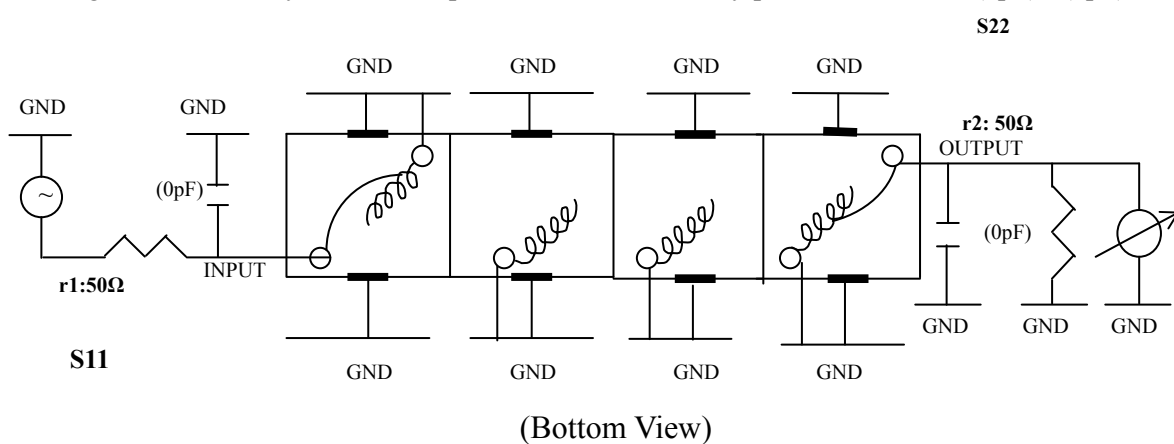
Customer Name		Temwell's Part No.	TF64372F-485M
Approval No. /dated	1002068CD	Temwell's Print name	64370F 485M
Work Instruction No.	201002068CD	Date	Feb.09.2010



### (3) Electric Characteristic

Item	Specify	Performance	
Center Freq.(Fo ) +/- 0.75 %	485 MHz	485 MHz	
Insertion Loss	Typ. 4.0 dB	2.73 dB	
-3 dB Bandwidth	Typ. 14 MHz	18.5 MHz	
Sensitivity (Attenuation)	Fo - (50) MHz	Typ. 60 dBc	90 dBc
	Fo + (50) MHz	Typ. 52 dBc	49 dBc
	Fo - ( ) MHz	Typ. dBc	dBc
	Fo + ( ) MHz	Typ. dBc	dBc
Return Loss	Min. 12 dB	20.7 dB	
Ripple	< 1 dB	dB	
Impedance	In / Out : 50 Ω	In / Out : 50 Ω	
(4) Torque for Tuning Screw	> 60gf · cm		
(5) Temperature Condition:			
Operating Temperature	-30°C ~ +70°C		
Storage Temperature	-30°C ~ +80°C		
(6) Input Power	> 1Watt		

(7) Measuring Circuit: ※Easy to match Impedance S11/S22 50Ω by parallel with about(0pF) / (0pF).



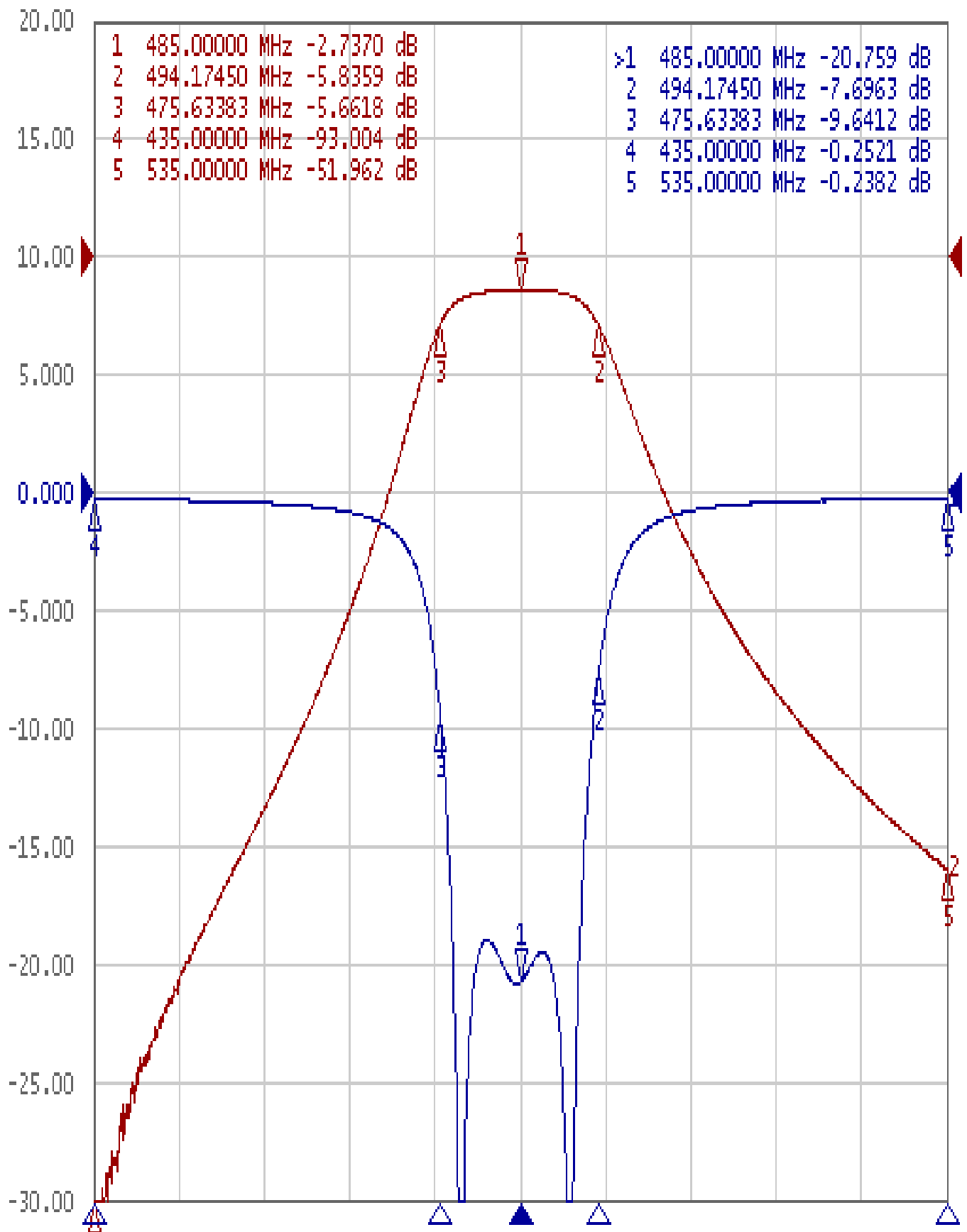
Approval	Supervisor	Designer	Aperture size
C.Y.Chang	C.K.Chang	P.H.Chiang	7H3S(4*6.5)(6.54) 7H046RB4

TEMWELL CORPORATION

# Performance-TF64372F-485M

## 201002068CD

Tr1 S11 Log Mag 5.000dB/ Ref 0.000dB [F2]  
Tr2 S21 Log Mag 10.00dB/ Ref 0.000dB [F2]



1 Center 485 MHz

IFBW 10 kHz

Span 100 MHz Cor