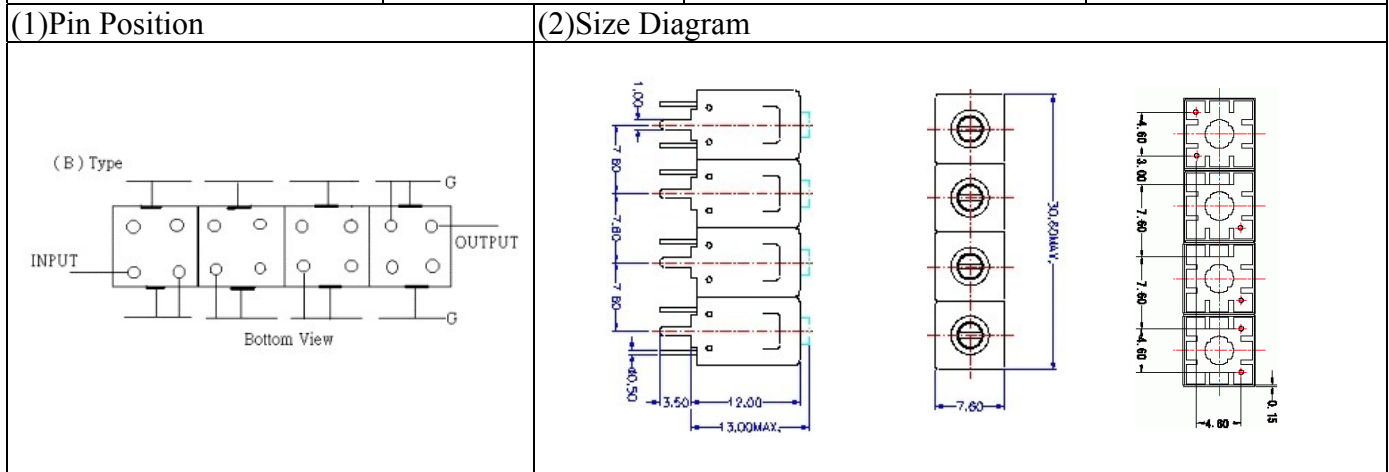
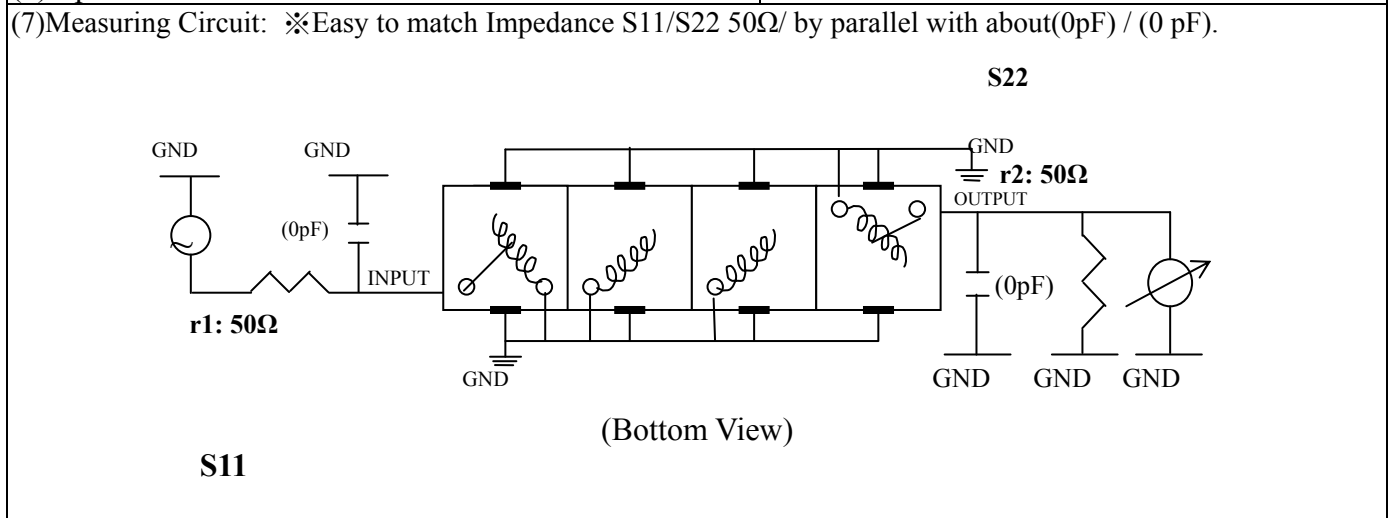


VHF UHF Helical Filter Specification Sheet

Customer Name		Temwell's Part No.	TF64377B-248M
Approval No. /dated		Temwell's Print Name	64377B 248M
Work Instruction No.	201003096BD	Date	Mar.23.2010



(3) Electric Characteristic			
Item		Specify	Performance
Center Freq.(Fo) +/- 0.5 %		248 MHz	248 MHz
Insertion Loss		Typ. 2.0 dB	0.94 dB
-3 dB Bandwidth		Typ. 50 MHz	56.8 MHz
Sensitivity (Attenuation)	Fo - 50 MHz	Typ. 30 dBc	35 dBc
	Fo + 50 MHz	Typ. 15 dBc	20 dBc
	Fo - ()MHz	Typ. dBc	dBc
	Fo + ()MHz	Typ. dBc	dBc
Return Loss		Min. 12 dB	17.2 dB
Ripple		< 1 dB	dB
Impedance		In / Out : 50 Ω	In / Out : 50 Ω
(4) Torque for Tuning Screw		> 100gf · cm	
(5) Temperature Condition:			
Operating Temperature		0°C ~ +60°C	
Storage Temperature		-20°C ~ +70°C	
(6) Input Power		> 1Watt	



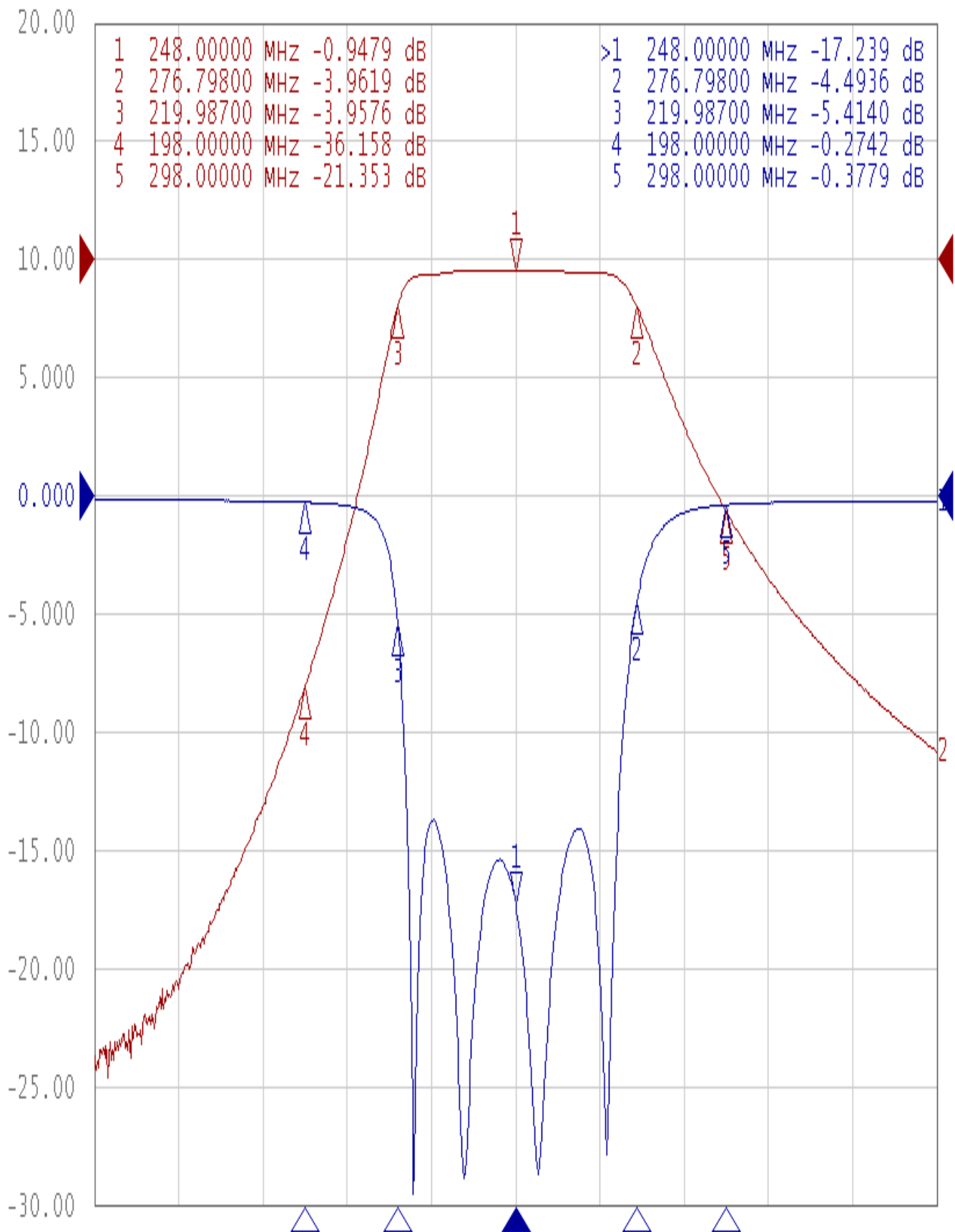
Approval	Supervisor	Designer	Aperture size
C.Y.Chang	C.K.Chang	C.S.Chang	7H4(4*7.5F)(7.54) (7H046RB6.5)

TEMWELL CORPORATION

Performance-TF64377B-248M

201003096BD

Tr1 S11 Log Mag 5.000dB/ Ref 0.000dB [F2]
Tr2 S21 Log Mag 10.00dB/ Ref 0.000dB [F2]



1 Center 248 MHz

IFBW 10 kHz

Span 200 MHz Cor !