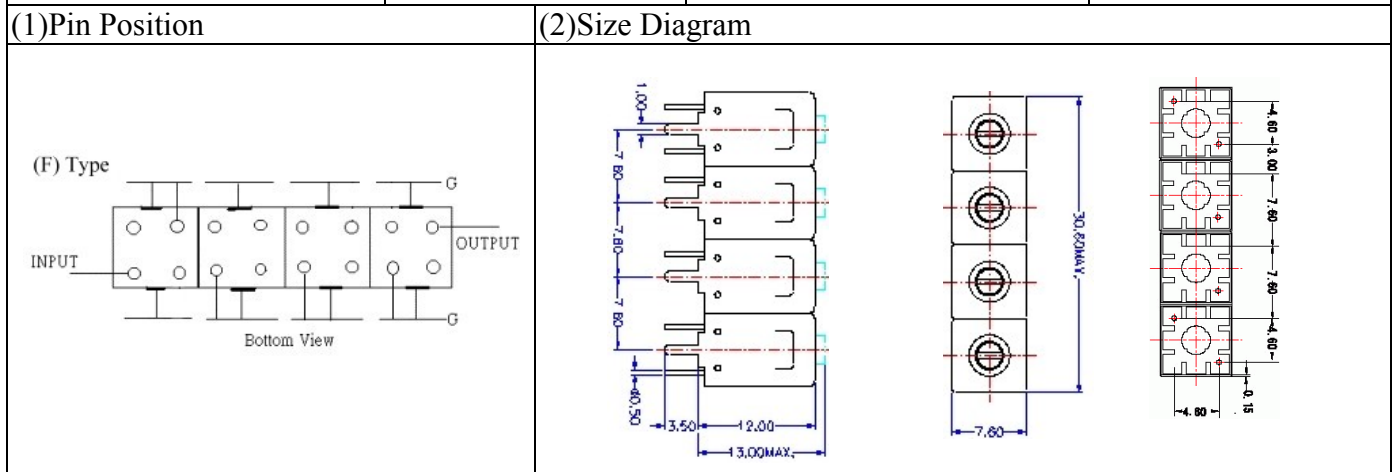


VHF UHF Helical Filter Specification Sheet

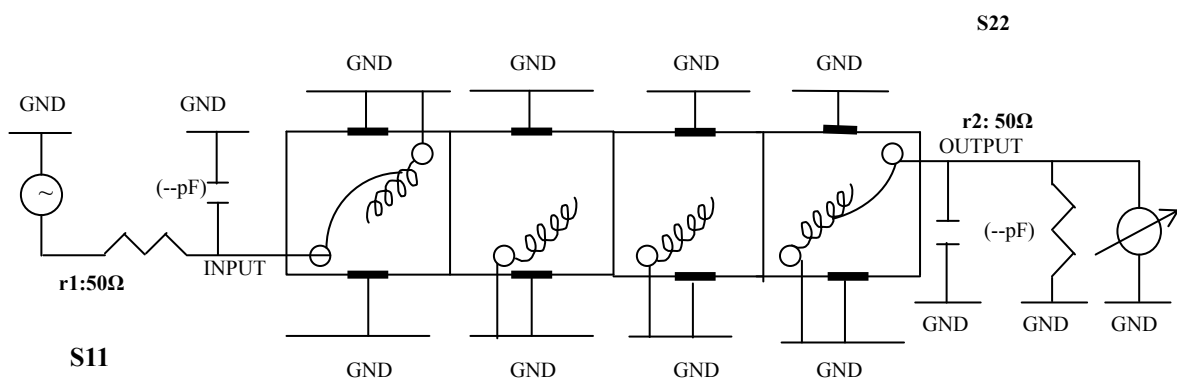
Customer Name		Temwell's Part No.	TF64384F-750M
Approval No. /dated	201006077CD	Temwell's Print name	64384F 750M
Work Instruction No.	201006077CD	Date	Jun.25.2010



(3) Electric Characteristic

Item	Specify	Performance	
Center Freq.(Fo) +/- 0.5 %	750 MHz	750 MHz	
Insertion Loss	Typ. 2.0 dB	0.90 dB	
-3 dB Bandwidth	Typ. 130 MHz	143.9 MHz	
Sensitivity (Attenuation)	Fo - (200) MHz	Typ. 52 dBc	55 dBc
	Fo + (200) MHz	Typ. 33 dBc	36 dBc
	Fo - () MHz	Typ. dBc	dBc
	Fo + () MHz	Typ. dBc	dBc
Return Loss	Min. 12 dB	19.7 dB	
Ripple	< 1 dB	dB	
Impedance	In / Out : 50 Ω	In / Out : 50 Ω	
(4) Torque for Tuning Screw	> 60gf · cm		
(5) Temperature Condition:			
Operating Temperature	0°C ~ +60°C		
Storage Temperature	-20°C ~ +70°C		
(6) Input Power	> 1Watt		

(7) Measuring Circuit: ※Easy to match Impedance S11/S22 50Ω by parallel with about(--pF) (--pF).



(Bottom View)

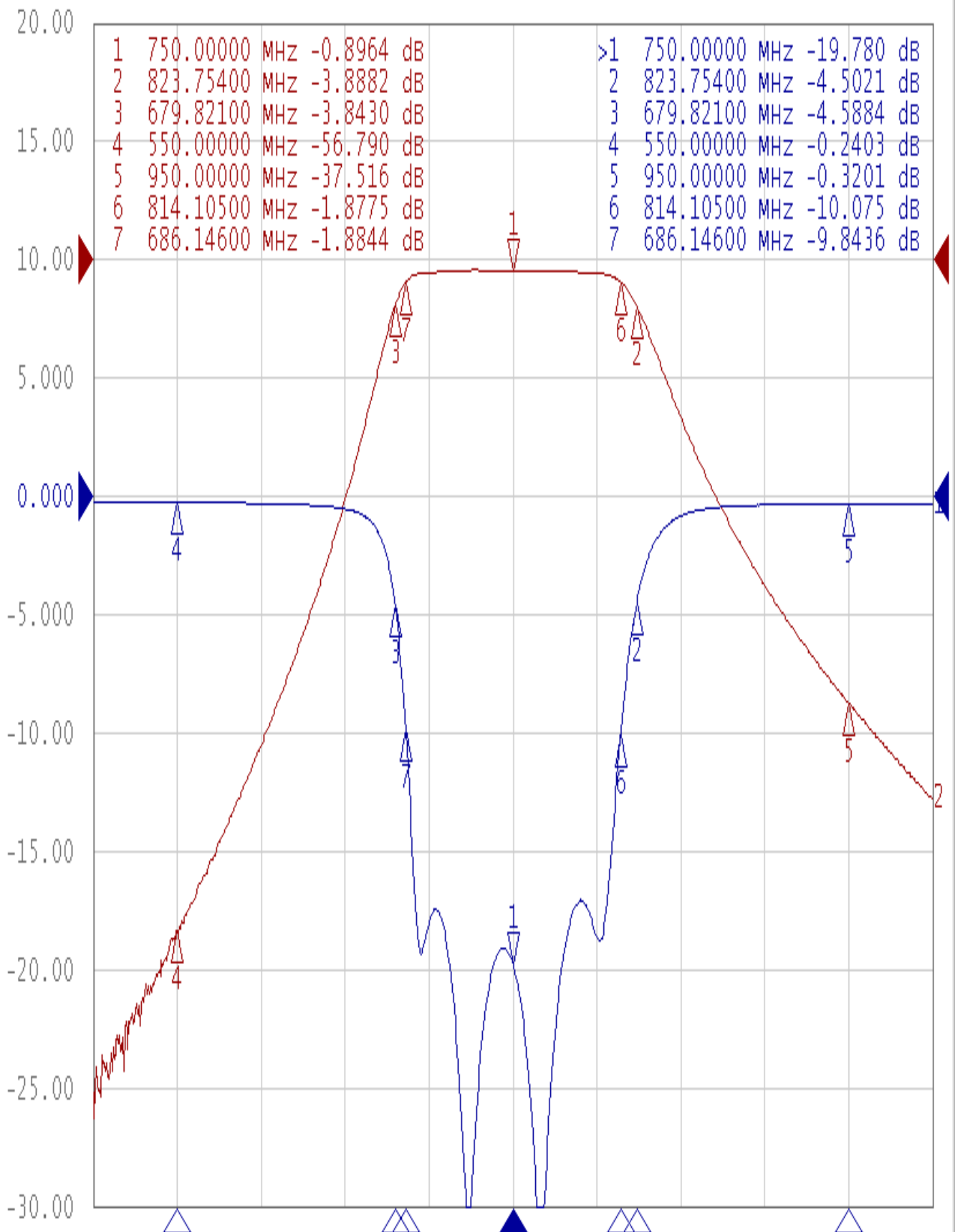
Approval	Supervisor	Designer	Aperture size
C.Y.Chang	C.K.Chang	C.S.Chang	7H4S(4*8.0)(8.06) 7H046RB6.5

TEMWELL CORPORATION

Performance-TF64384F-750M

201006077CD

Tr1 S11 Log Mag 5.000dB/ Ref 0.000dB [F2]
Tr2 S21 Log Mag 10.00dB/ Ref 0.000dB [F2]



1 Center 750 MHz

IFBW 10 kHz

Span 500 MHz Cor !