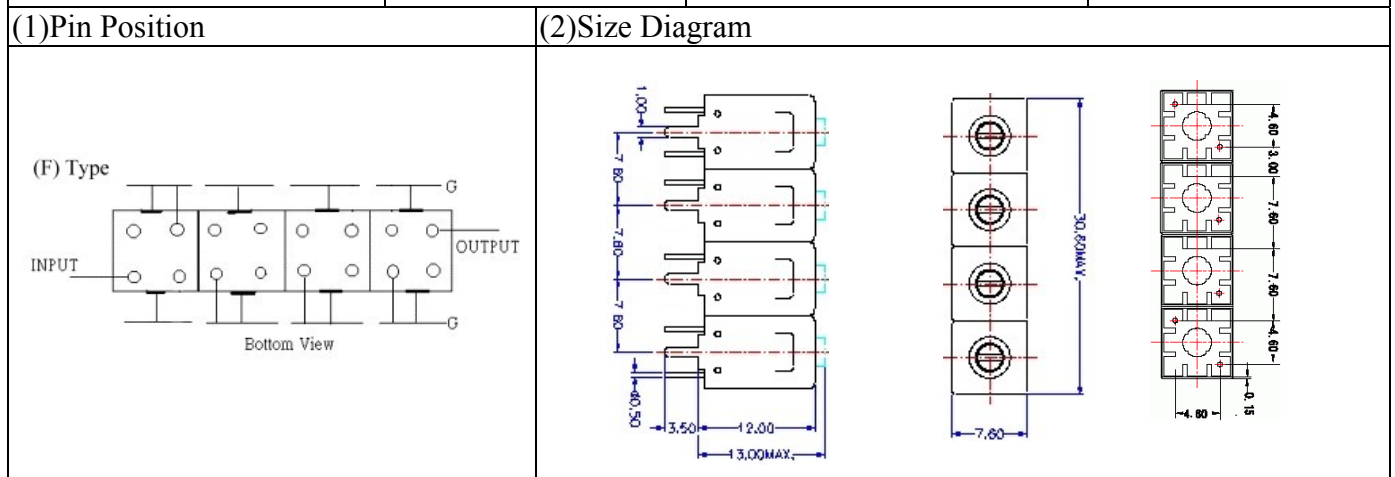


VHF UHF Helical Filter Specification Sheet

| | | | |
|----------------------|-------------|----------------------|----------------|
| Customer Name | | Temwell's Part No. | TF64385F-800M |
| Approval No. /dated | 201006079CD | Temwell's Print name | 64385F 800M |
| Work Instruction No. | 201006079CD | Date | Jun.26.2010 |



(3) Electric Charasteric

| Item | Specify | Performance | |
|------------------------------|-----------------|-----------------|--------|
| Center Freq.(Fo) +/- 0.5 % | 800 MHz | 800 MHz | |
| Insertion Loss | Typ. 2.0 dB | 0.82 dB | |
| -3 dB Bandwidth | Typ. 130 MHz | 147.9 MHz | |
| Sensitivity (Attenuation) | Fo - (200) MHz | Typ. 50 dBc | 53 dBc |
| | Fo + (200) MHz | Typ. 32 dBc | 35 dBc |
| | Fo - () MHz | Typ. dBc | dBc |
| | Fo + () MHz | Typ. dBc | dBc |
| Return Loss | Min. 12 dB | 21.4 dB | |
| Ripple | < 1 dB | dB | |
| Impedance | In / Out : 50 Ω | In / Out : 50 Ω | |

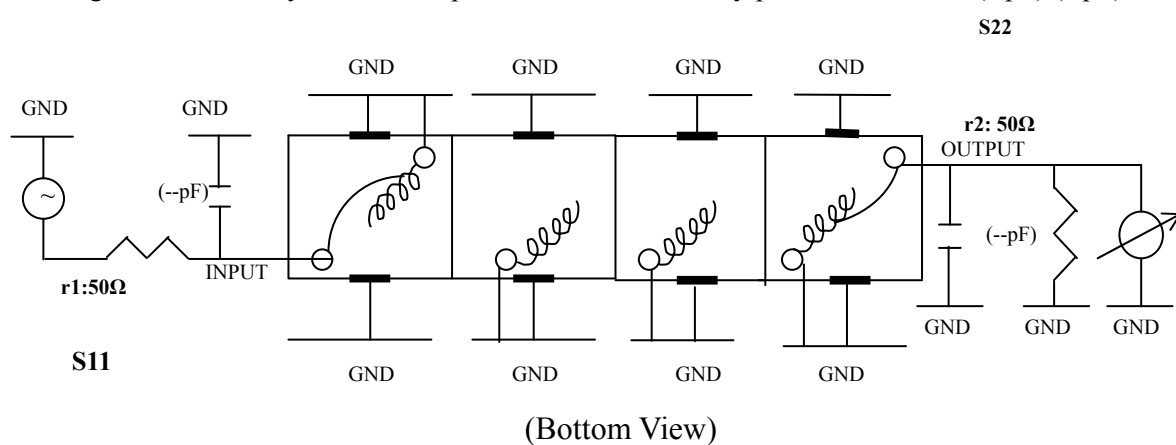
(4) Torque for Tuning Screw > 60gf · cm

(5) Temperature Condition:

| | |
|-----------------------|---------------|
| Operating Temperature | 0°C ~ +60°C |
| Storage Temperature | -20°C ~ +70°C |

(6) Input Power > 1Watt

(7) Measuring Circuit: ※Easy to match Impedance S11/S22 50Ω by parallel with about(--pF) (--pF).



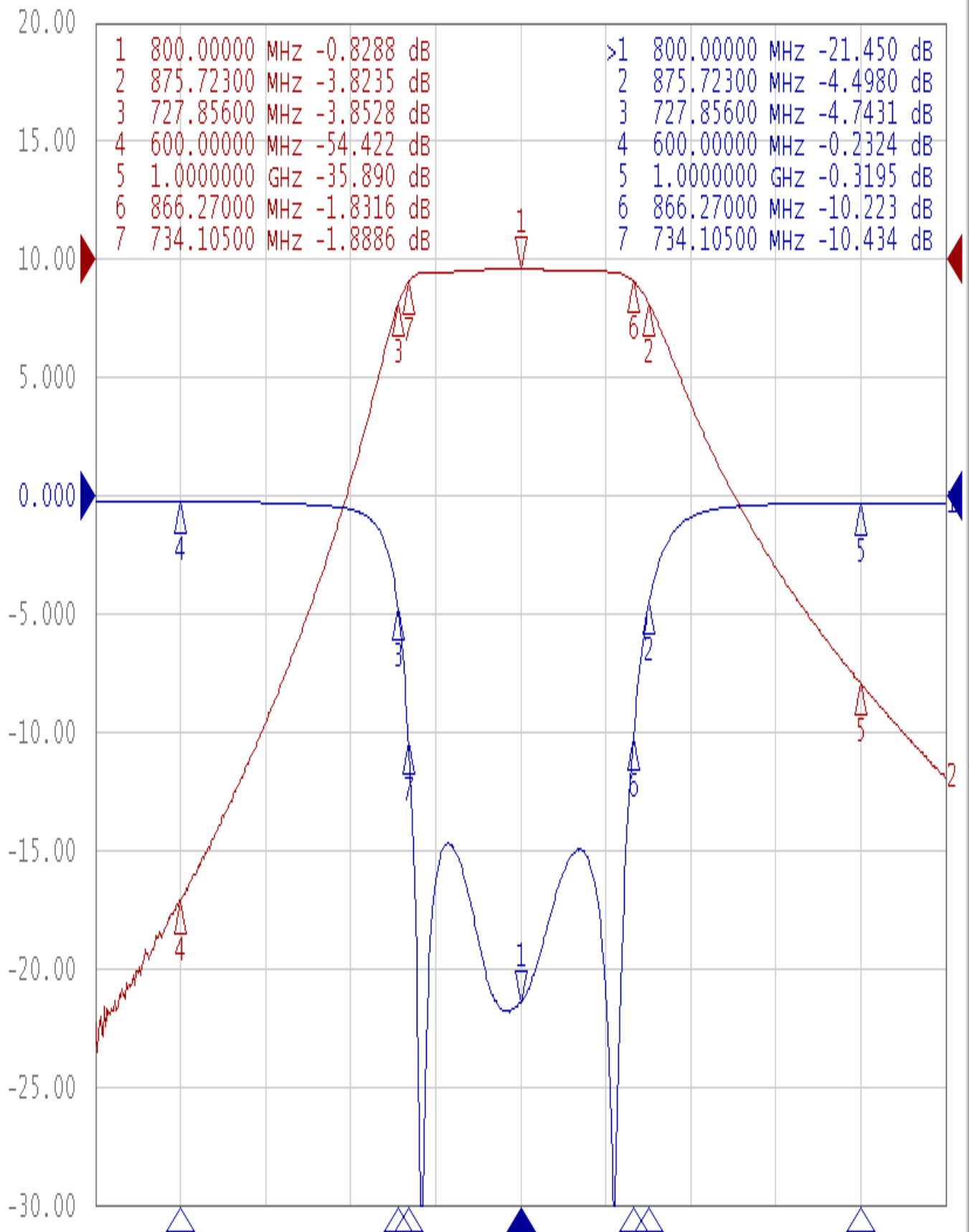
| | | | |
|-----------|------------|-----------|---------------------------------|
| Approval | Supervisor | Designer | Aperture size |
| C.Y.Chang | C.K.Chang | C.S.Chang | 7H4S(4*7.5)(7.59) 7H046RB6.5 |

TEMWELL CORPORATION

Performance-TF64385F-800M

201006079CD

Tr1 S11 Log Mag 5.000dB/ Ref 0.000dB [F2]
Tr2 S21 Log Mag 10.00dB/ Ref 0.000dB [F2]



1 Center 800 MHz

IFBW 10 kHz

Span 500 MHz Cor !