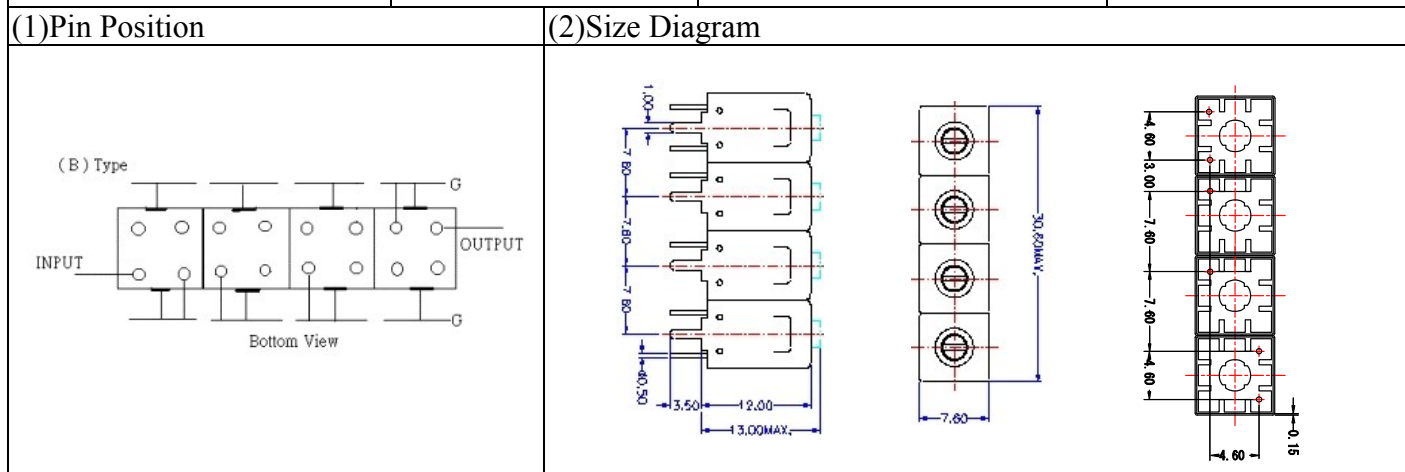


# VHF UHF Helical Filter Specification Sheet

Customer Name		Temwell's Part No.	TF64388B-340M
Approval No. /dated	201702032CD	Temwell's Print Name	64388B 340M
Work Instruction No.	201702032CD	Date	Feb.24.2017



### (3) Electric Characteristic

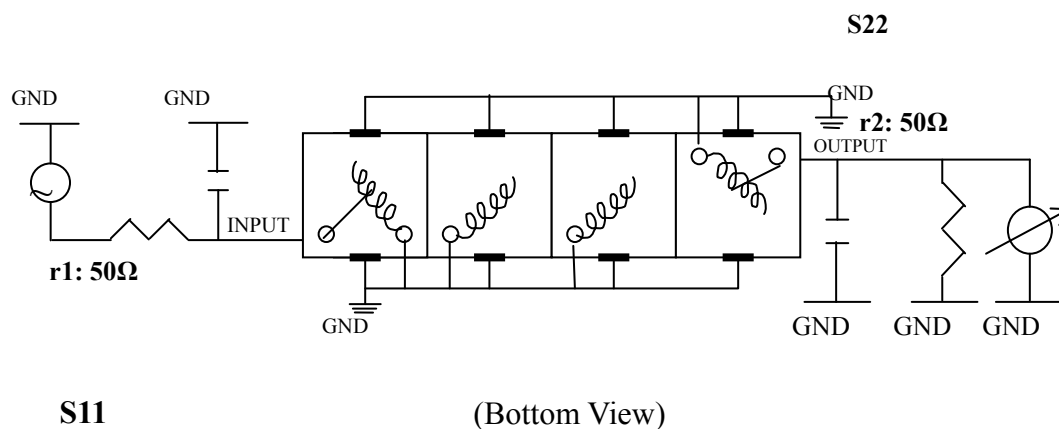
Item	Specify	Performance	
Center Freq.(Fo) +/- 0.5 %	340 MHz	340 MHz	
Insertion Loss	Typ. 2.0 dB	0.87 dB	
-3 dB Bandwidth	Typ. 70 MHz	73.7 MHz	
Sensitivity (Attenuation)	Fo - 100 MHz	Typ. 50 dBc	55 dBc
	Fo + 100 MHz	Typ. 28 dBc	33 dBc
	Fo - ( )MHz	Typ. dBc	dBc
	Fo + ( )MHz	Typ. dBc	dBc
Return Loss	Min. 12 dB	20.5 dB	
Ripple	< 1 dB	dB	
Impedance	In / Out : 50 Ω	In / Out : 50 Ω	
(4) Torque for Tuning Screw	> 60gf · cm		

### (5) Temperature Condition:

Operating Temperature	0°C ~ +60°C
Storage Temperature	-20°C ~ +70°C

### (6) Input Power

(7) Measuring Circuit: ※Easy to match Impedance S11/S22 50Ω by parallel with about(- -).



Approval	Supervisor	Designer	Aperture size
C.Y.Chang	C.K.Chang	C.S.Chang	7H4S(4*7.5)(7.56) 7H046RB6.5

TEMWELL CORPORATION

# Performance-TF64388B-340M

## 201702032CD

Tr1 S11 Log Mag 5.000dB/ Ref 0.000dB [F2]  
Tr2 S21 Log Mag 10.00dB/ Ref 0.000dB [F2]

