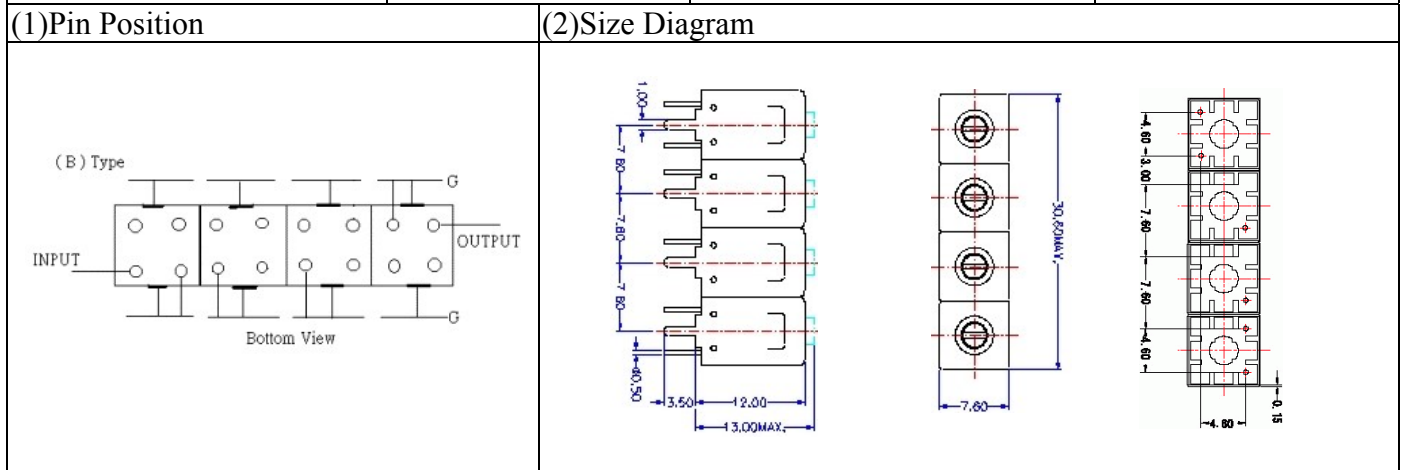


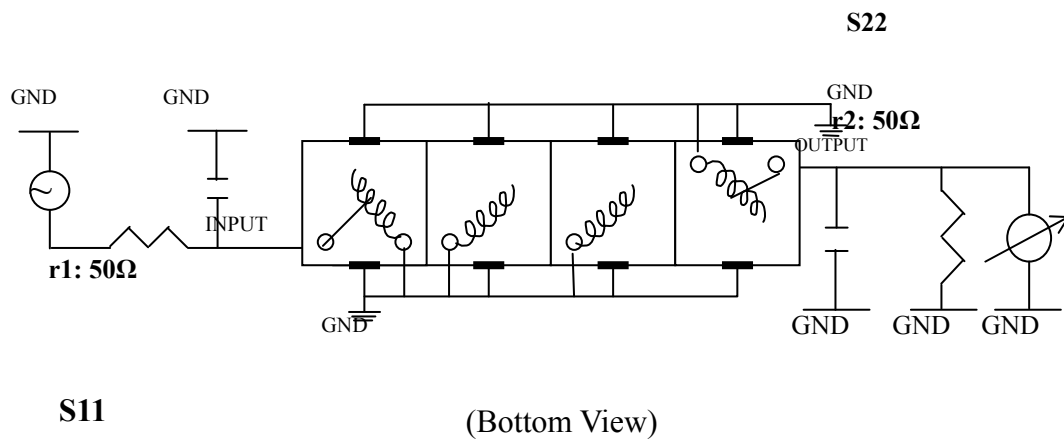
# VHF UHF Helical Filter Specification Sheet

Customer Name		Temwell's Part No.	TF64390B-273.3M
Approval No. /dated	201007157CD	Temwell's Print Name	64390B 273.5M
Work Instruction No.	201007157CD	Date	Jul.26.2010



Item		Specify	Performance
Center Freq.(Fo ) +/- 0.5 %		273.3 MHz	273.3 MHz
Insertion Loss		Typ. 2.5 dB	1.55 dB
-3 dB Bandwidth		Typ. 25 MHz	30.3 MHz
Sensitivity (Attenuation)	Fo - 36 MHz	Typ. 39 dBc	42 dBc
	Fo + 36 MHz	Typ. 26 dBc	29 dBc
	Fo - ( )MHz	Typ. dBc	dBc
	Fo +( )MHz	Typ. dBc	dBc
Return Loss		Min. 12 dB	20.4 dB
Ripple		< 1 dB	dB
Impedance		In / Out : 50 Ω	In / Out : 50 Ω
(4) Torque for Tuning Screw		> 60gf · cm	
(5) Temperature Condition:			
Operating Temperature		0°C ~ +60°C	
Storage Temperature		-20°C ~ +70°C	
(6) Input Power		> 1Watt	

(7) Measuring Circuit: ※ Easy to match Impedance S11/S22 50Ω/ by parallel with about(--)/ (--).

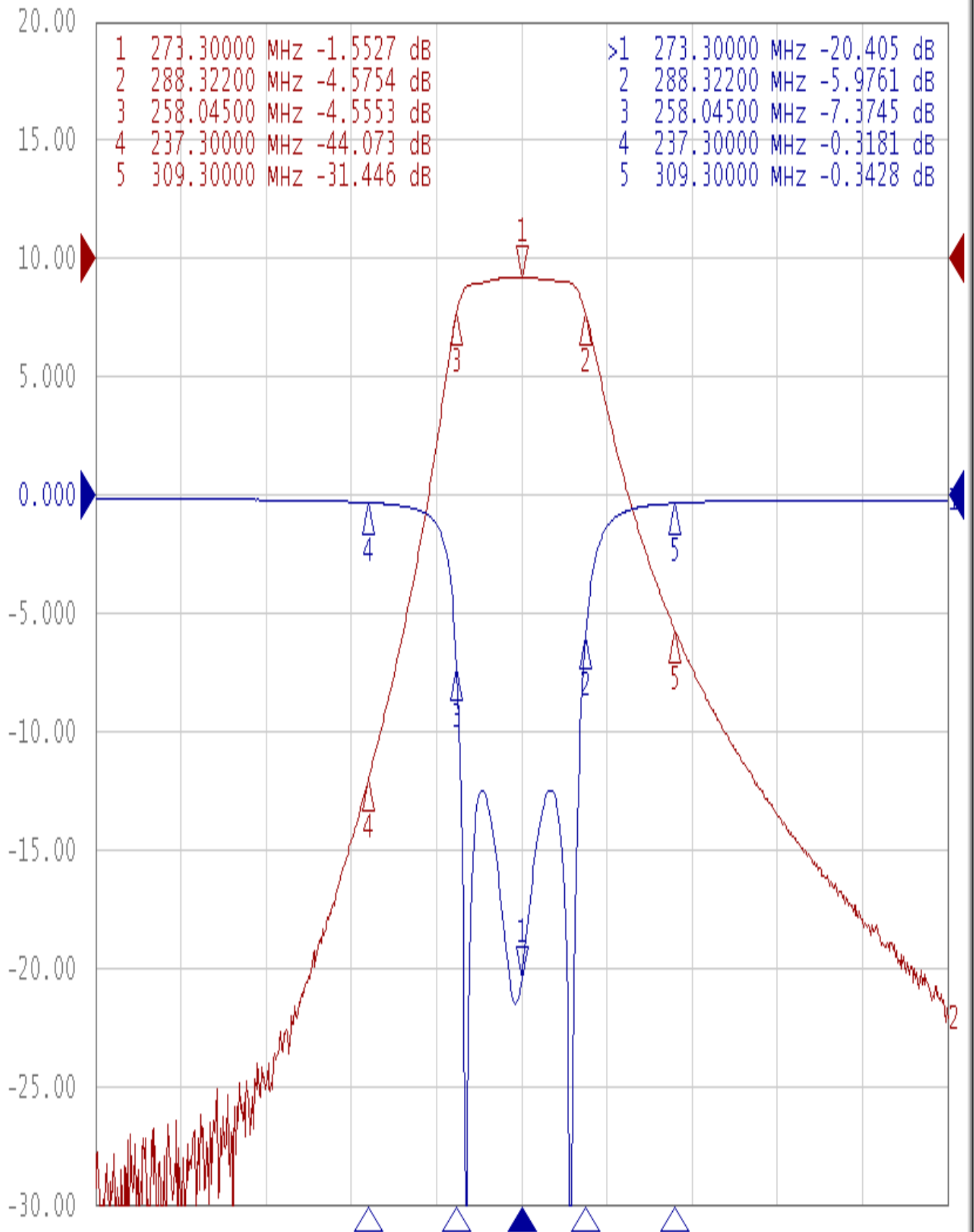


Approval	Supervisor	Designer	Aperture size
C.Y.Chang	C.K.Chang	C.S.Chang	7H4(4*7.5)(7.54) 7H046RB5.5
TEMWELL CORPORATION			

# Performance-TF64390B-273.3M

## 201007157CD

Tr1 S11 Log Mag 5.000dB/ Ref 0.000dB [F2]  
Tr2 S21 Log Mag 10.00dB/ Ref 0.000dB [F2]



1 Center 273.3 MHz

IFBW 10 kHz

Span 200 MHz Cor !