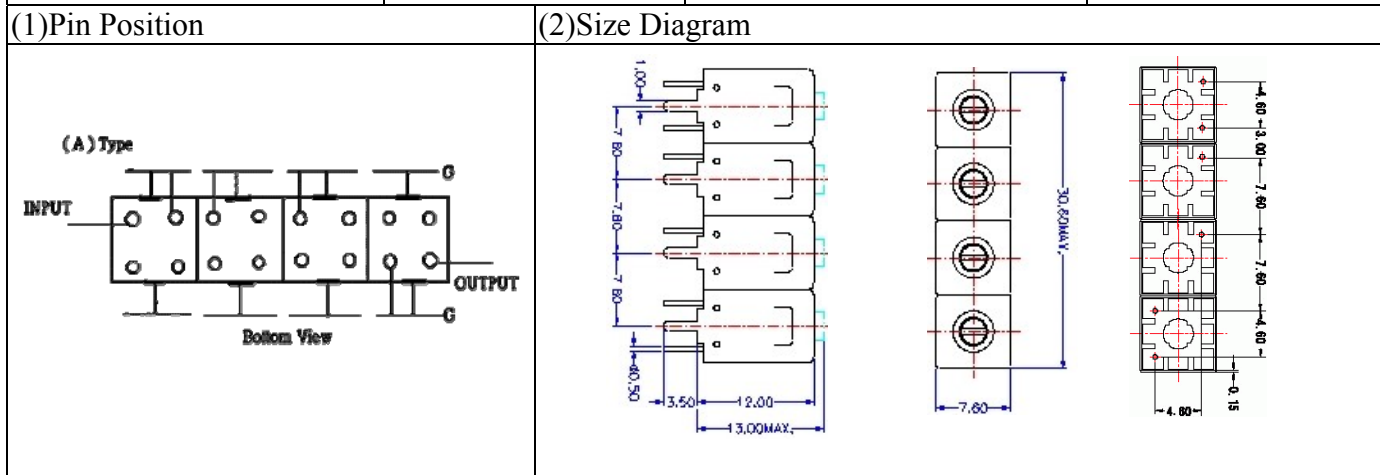


VHF UHF Helical Filter Specification Sheet

Customer Name		Temwell's Part No.	TF64400A-978M
Approval No. /dated	201011063CD	Temwell's Print Name	64400A 978M
Work Instruction No.	201011063CD	Date	Nov.04.2010



(3) Electric Characteristic

Item	Specify	Performance	
Center Freq.(Fo) +/- 0.5 %	978 MHz	978 MHz	
Insertion Loss	Typ. 5.5 dB	4.53 dB	
-3 dB Bandwidth	Typ. 15 MHz	21.0 MHz	
Sensitivity (Attenuation)	Fo -(50) MHz	Typ. 56 dBc	59 dBc
	Fo +(50) MHz	Typ. 42 dBc	45 dBc
	Fo -()MHz	Typ. dBc	dBc
	Fo +()MHz	Typ. dBc	dBc
Return Loss	Min. 12 dB	21.7 dB	
Ripple	< 1 dB	dB	
Impedance	In / Out : 50 Ω	In / Out : 50 Ω	
(4) Torque for Tuning Screw	> 100gf · cm		

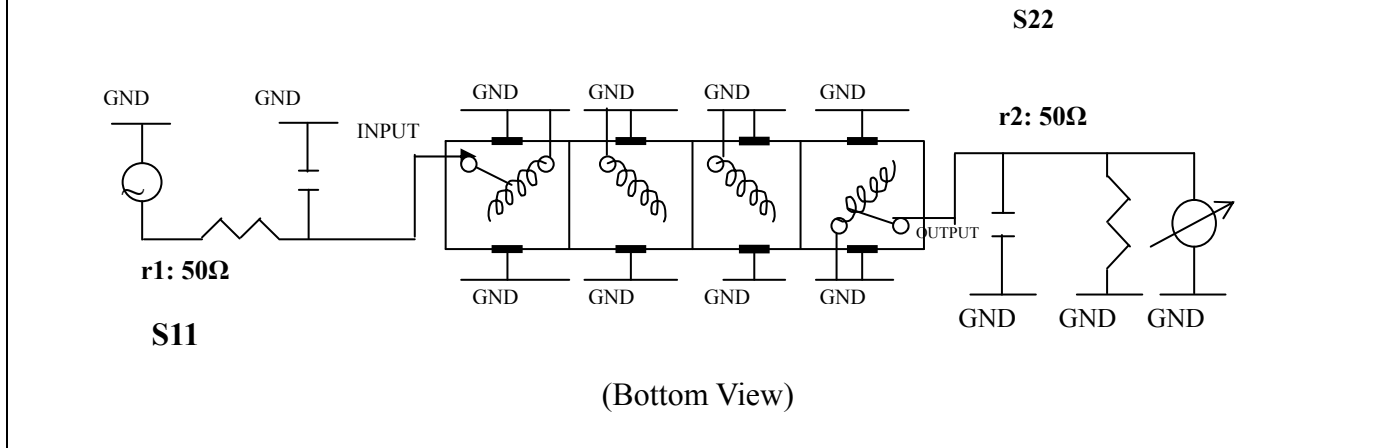
(5) Temperature Condition:

Operating Temperature	0°C ~ +60°C
Storage Temperature	-20°C ~ +70°C

(6) Input Power

	> 1Watt
--	---------

(7) Measuring Circuit: ※Easy to match Impedance S11/S22 /50Ω by parallel with about(--)/ (--).



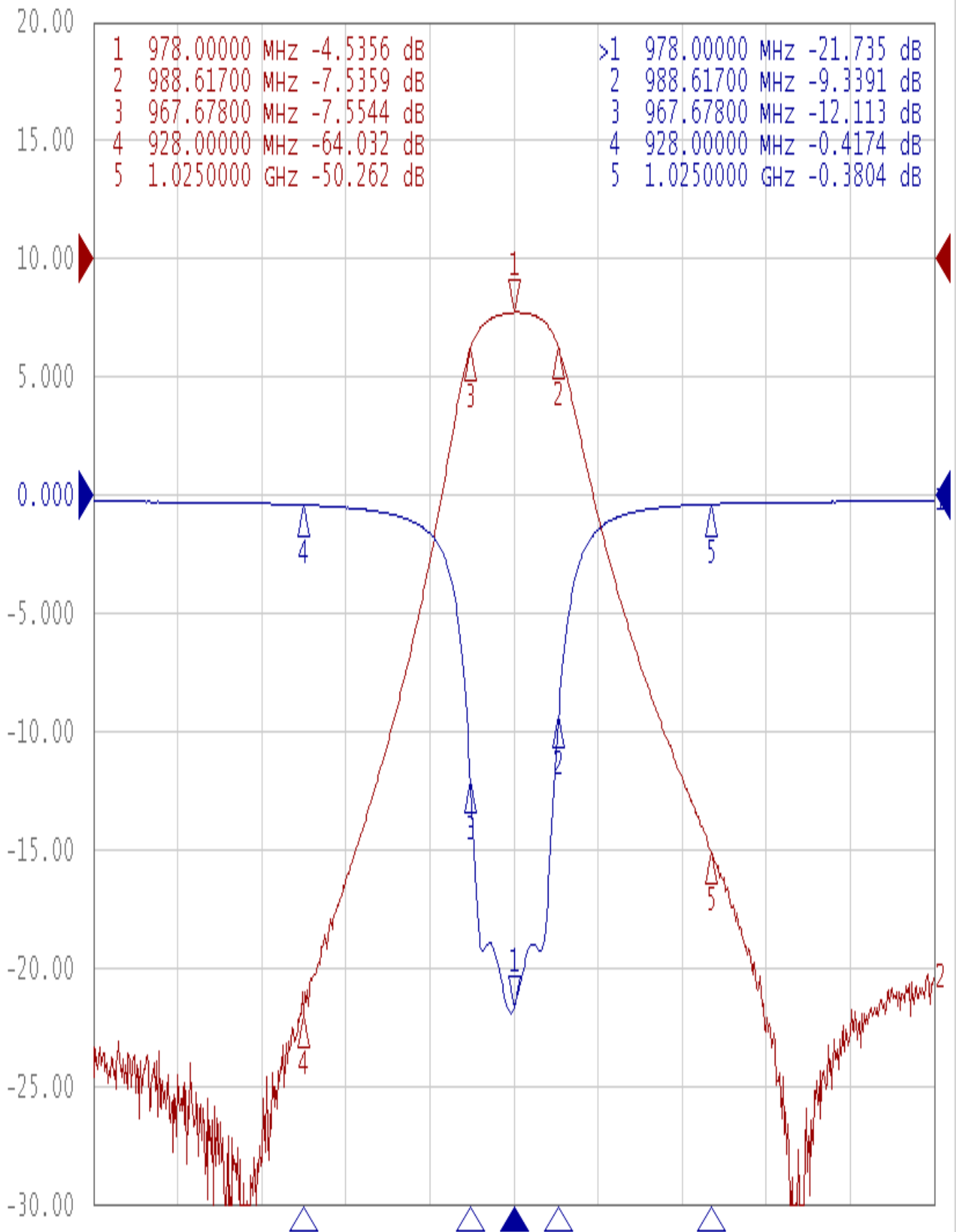
Approval	Supervisor	Designer	Aperture size
C.Y.Chang	C.K.Chang	C.S.Chang	7H4S(4*4.65)(4.69) 7H046LB4.3 聚 3

TEMWELL CORPORATION

Performance-TF64400A-978M

201011063CD

▶ Tr1 S11 Log Mag 5.000dB/ Ref 0.000dB [F2]
Tr2 S21 Log Mag 10.00dB/ Ref 0.000dB [F2]



1 Center 978 MHz

IFBW 10 kHz

Span 200 MHz Cor !