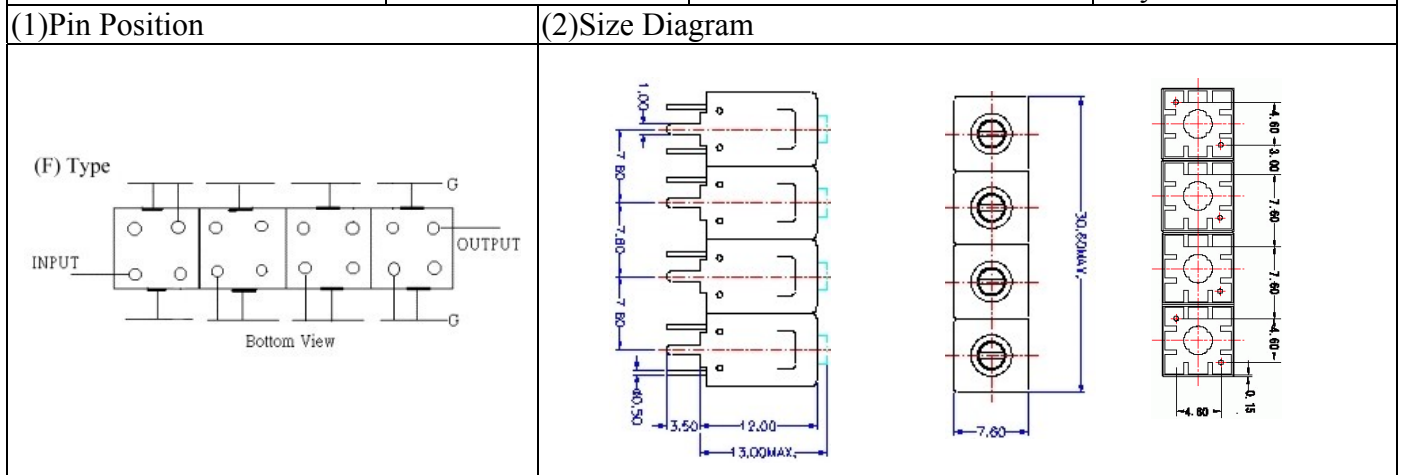


VHF UHF Helical Filter Specification Sheet

Customer Name		Temwell's Part No.	TF64415F-842M
Approval No. /dated	201105064CD	Temwell's Print name	64415F 842M
Work Instruction No.	201105064CD	Date	May.20.2011



(3) Electric Characteristic

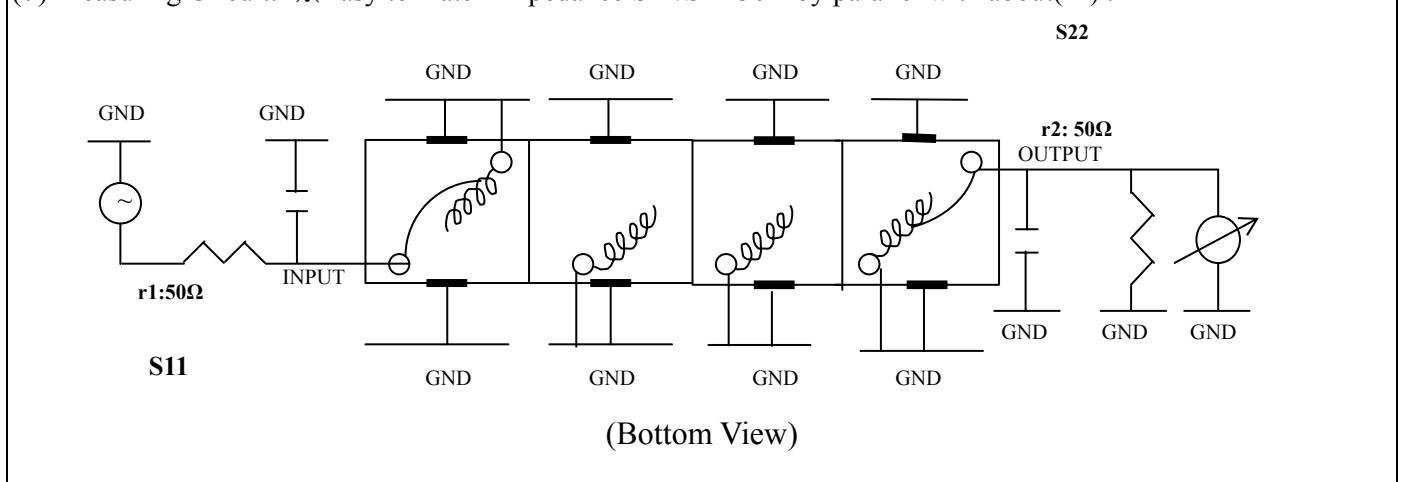
Item	Specify	Performance
Center Freq.(Fo) +/- 0.5 %	842 MHz	842 MHz
Insertion Loss	Typ. 4.0 dB	3.02 dB
-3 dB Bandwidth	Typ. 14 MHz	23.1 MHz
Sensitivity (Attenuation)	Fo - (50) MHz	Typ. 52 dBc
	Fo + (50) MHz	Typ. 37 dBc
	Fo - () MHz	Typ. dBc
	Fo + () MHz	Typ. dBc
Return Loss	Min. 12 dB	19.3 dB
Ripple	< 1 dB	dB
Impedance	In / Out : 50 Ω	In / Out : 50 Ω
(4) Torque for Tuning Screw	> 60gf · cm	

(5) Temperature Condition:

Operating Temperature	0°C ~ +60°C
Storage Temperature	-20°C ~ +70°C

(6) Input Power

(7) Measuring Circuit: ※Easy to match Impedance S11/S22 50Ω by parallel with about(- -) .



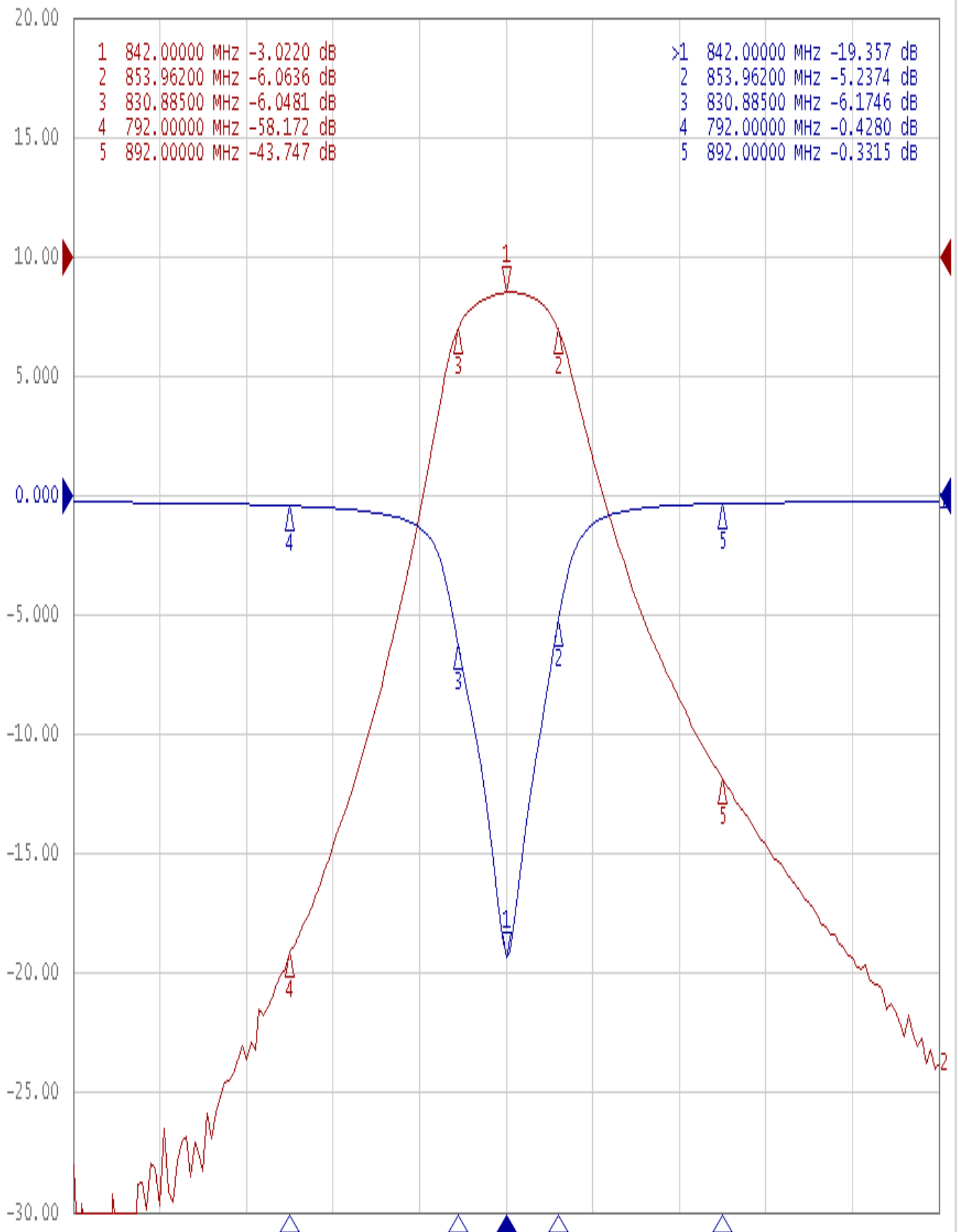
Approval	Supervisor	Designer	Aperture size
C.Y.Chang	C.K.Chang	P.H.Chiang	7H4S(4*5.35)*(5.41) 7H046LB4.3 聚 3

TEMWELL CORPORATION

Performance-TF64415F-842M

201105064CD

Tr1 S11 Log Mag 5.000dB/ Ref 0.000dB [F2]
Tr2 S21 Log Mag 10.00dB/ Ref 0.000dB [F2]



1 Center 842 MHz

IFBW 70 kHz

Span 200 MHz Cor