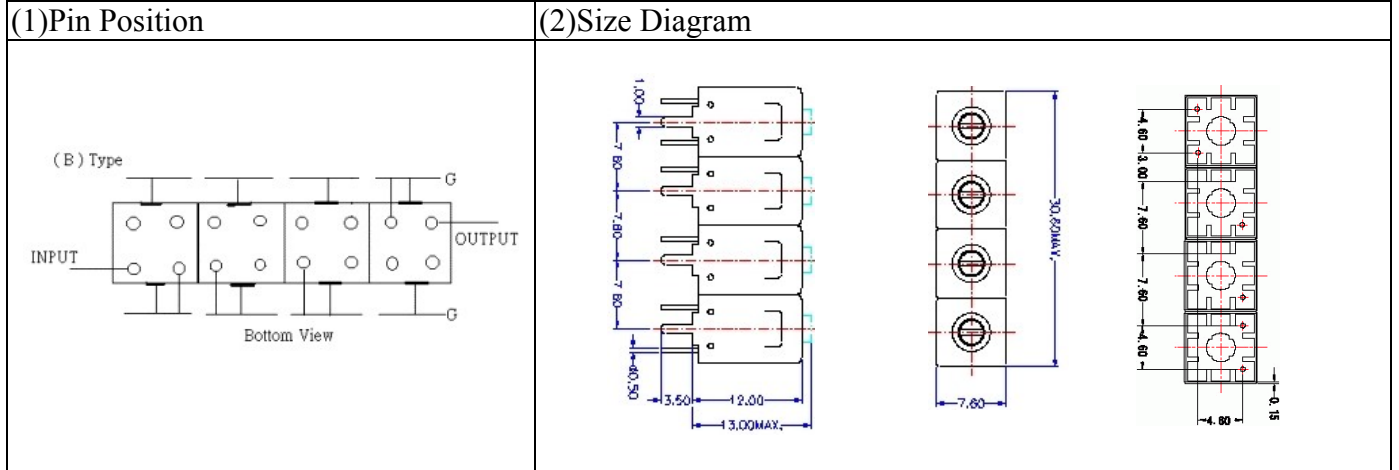


VHF UHF Helical Filter Specification Sheet

Customer Name		Temwell's Part No.	TF64427B-545M
Approval No. /dated	201106076CD	Temwell's Print Name.	64427B 545M
Work Instruction No.	201106076CD	Date	Jun.15.2011



(3) Electric Charasteric

Item	Specify	Performance	
Center Freq.(Fo) +/- 0.5 %	545 MHz	545 MHz	
Insertion Loss	Typ. 11 dB	9.65 dB	
-3 dB Bandwidth	Typ. 6 MHz	6.5 MHz	
Sensitivity (Attenuation)	Fo - 10 MHz	Typ. 39 dB	42 dB
	Fo + 10 MHz	Typ. 31 dB	34 dB
	Fo - ()MHz	Typ. dBc	dBc
	Fo +()MHz	Typ. dBc	dBc
Return Loss	Min. 12 dB	31.3 dB	
Ripple	< 1 dB	dB	
Impedance	In / Out : 50 Ω	In / Out : 50 Ω	

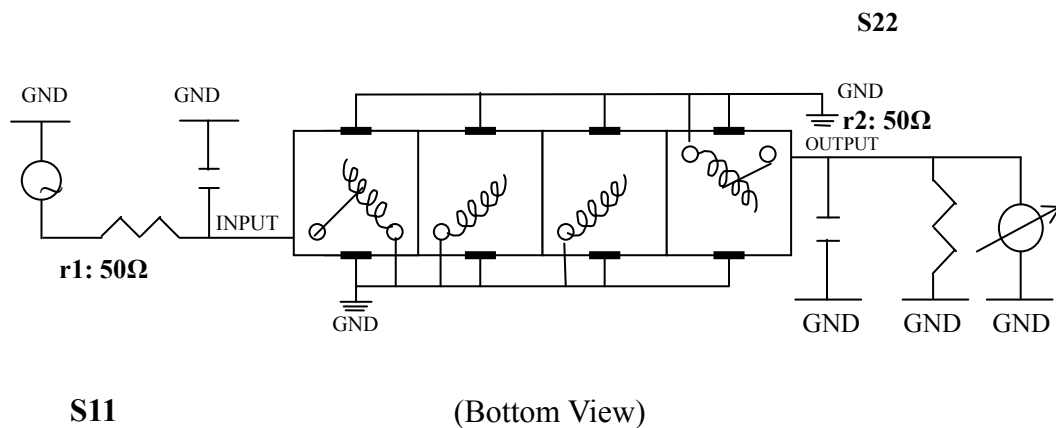
(4) Torque for Tuning Screw > 60gf • cm

(5) Temperature Condition:

Operating Temperature	0°C ~ +60°C
Storage Temperature	-20°C ~ +70°C

(6) Input Power > 1Watt

(7) Measuring Circuit: ※Easy to match Impedance S11/S22 50Ω/ by parallel with about(- - pF) / (- - pF).



Approval	Supervisor	Designer	Aperture size
C.Y.Chang	C.K.Chang	C.S.Chang	7H4S(4*4.65)(4.69) 7H046RB4.3 聚 3

TEMWELL CORPORATION

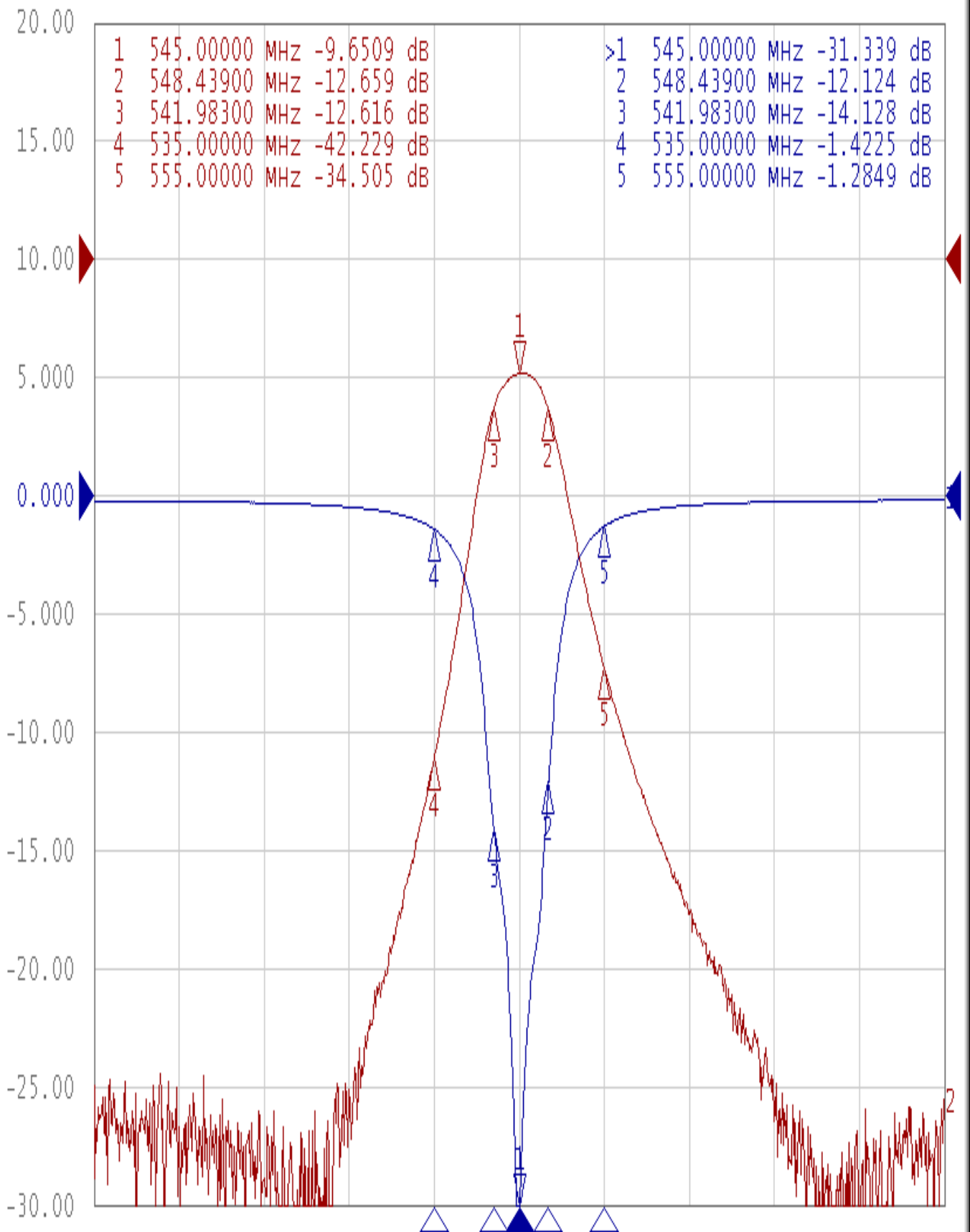
TEMWELL

RP(C.S.C)

Performance-TF64427B-545M

201106076CD

Tr1 S11 Log Mag 5.000dB/ Ref 0.000dB [F2]
Tr2 S21 Log Mag 10.00dB/ Ref 0.000dB [F2]



1 Center 545 MHz

IFBW 10 kHz

Span 100 MHz Cor !