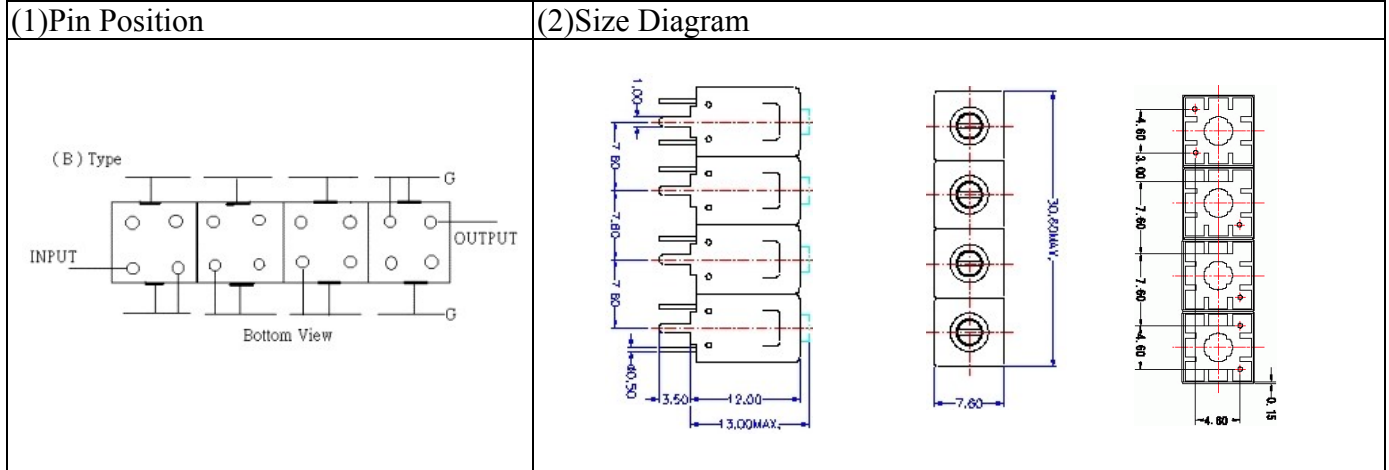


# VHF UHF Helical Filter Specification Sheet

Customer Name		Temwell's Part No.	TF64428B-557M
Approval No. /dated	201106077CD	Temwell's Print Name.	64428B 557M
Work Instruction No.	201106077CD	Date	Jun.14.2011



**(3) Electric Charasteric**

Item	Specify	Performance
Center Freq.(Fo ) +/- 0.5 %	557 MHz	557 MHz
Insertion Loss	Typ. 11 dB	10.40 dB
-3 dB Bandwidth	Typ. 6 MHz	6.7 MHz
Sensitivity (Attenuation )	Fo - 10 MHz	Typ. 37 dB
	Fo + 10 MHz	Typ. 30 dB
	Fo - ( )MHz	Typ. dBc
	Fo +( )MHz	Typ. dBc
Return Loss	Min. 12 dB	28.9 dB
Ripple	< 1 dB	dB
Impedance	In / Out : 50 Ω	In / Out : 50 Ω

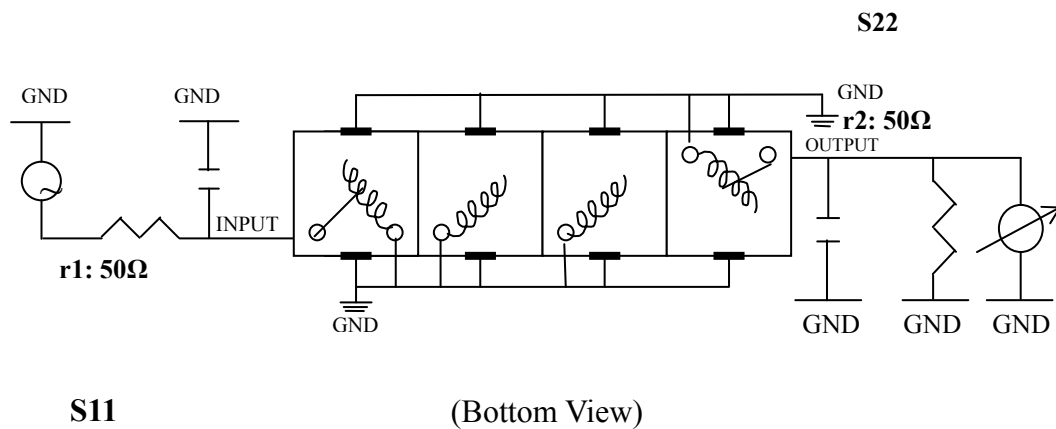
(4) Torque for Tuning Screw > 60gf • cm

**(5) Temperature Condition:**

Operating Temperature	0°C ~ +60°C
Storage Temperature	-20°C ~ +70°C

(6) Input Power > 1Watt

(7) Measuring Circuit: ※Easy to match Impedance S11/S22 50Ω/ by parallel with about( - - pF) / ( - - pF).



Approval	Supervisor	Designer	Aperture size
C.Y.Chang	C.K.Chang	C.S.Chang	7H4S(4*4.65)(4.72) 7H046RB4.3 聚 3

TEMWELL CORPORATION

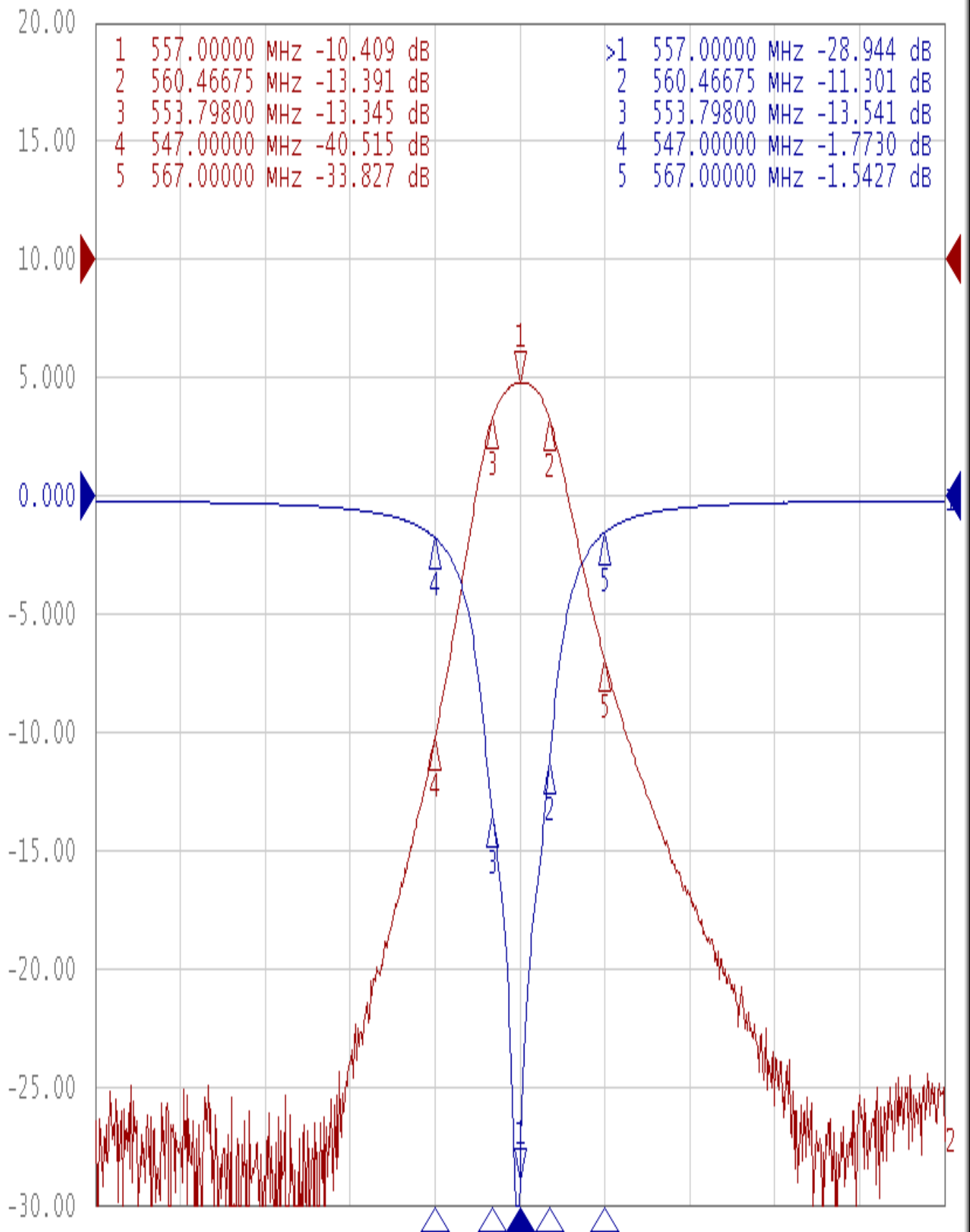
TEMWELL

RP(C.S.C)

# Performance-TF64428B-557M

## 201106077CD

Tr1 S11 Log Mag 5.000dB/ Ref 0.000dB [F2]  
Tr2 S21 Log Mag 10.00dB/ Ref 0.000dB [F2]



1 Center 557 MHz

IFBW 10 kHz

Span 100 MHz Cor !