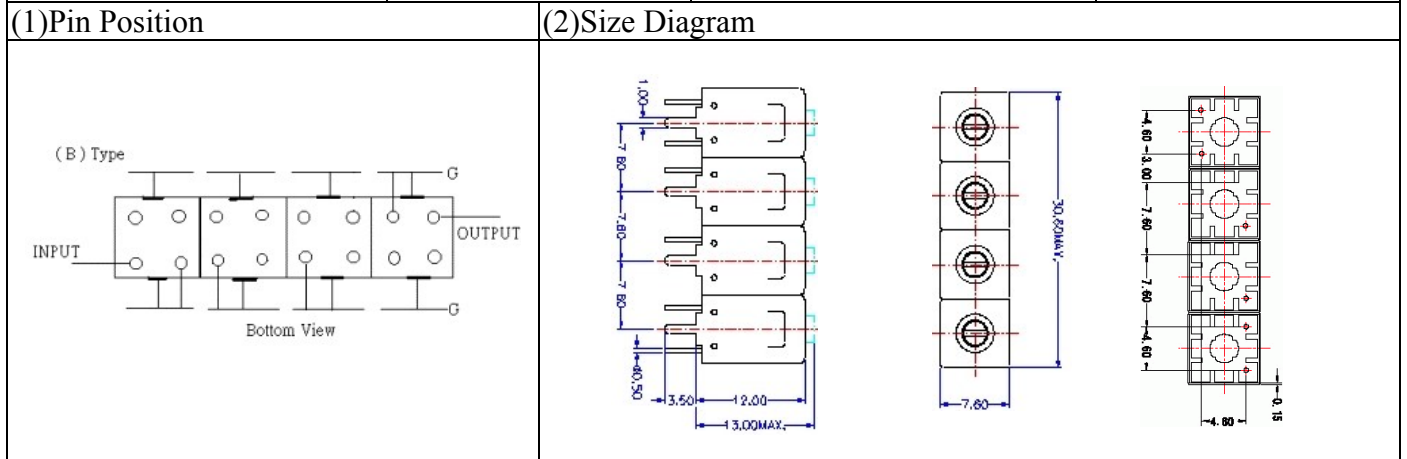
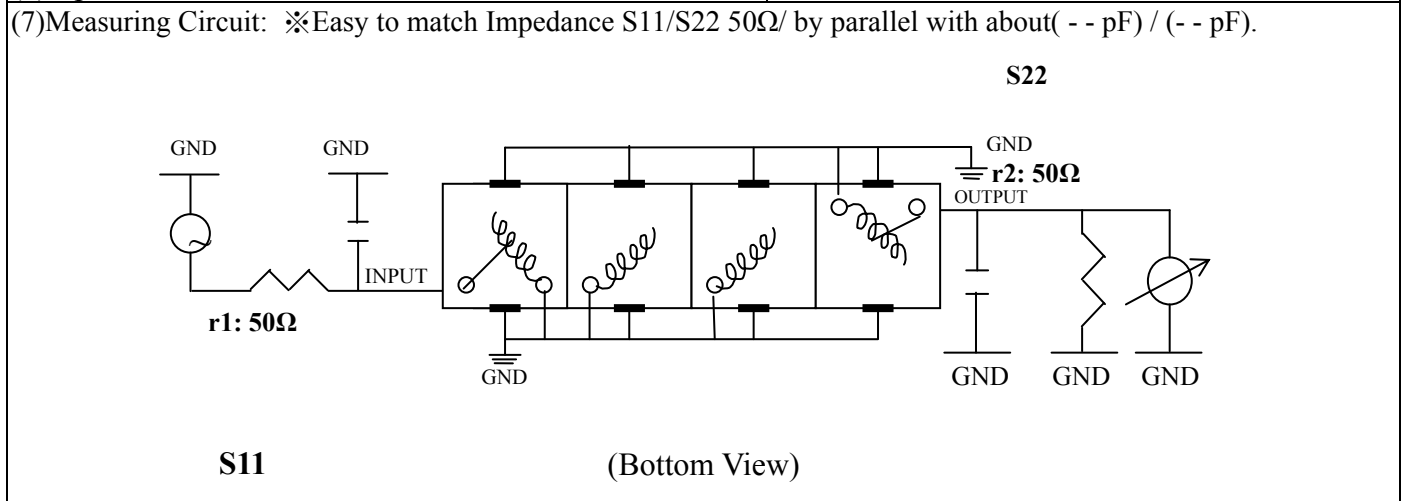


VHF UHF Helical Filter Specification Sheet

| | | | |
|----------------------|-------------|-----------------------|----------------|
| Customer Name | | Temwell's Part No. | TF64430B-581M |
| Approval No. /dated | 201106079CD | Temwell's Print Name. | 64430B 581M |
| Work Instruction No. | 201106079CD | Date | Jun.21.2011 |



| (3) Electric Characteristic | | Item | Specify |
|------------------------------|-------------|-----------------------------|------------|
| | | Center Freq.(Fo) +/- 0.5 % | 581 MHz |
| | | Insertion Loss | Typ. 11 dB |
| | | -3 dB Bandwidth | Typ. 6 MHz |
| Sensitivity (Attenuation) | Fo - 10 MHz | Typ. 36 dB | |
| | Fo + 10 MHz | Typ. 30 dB | |
| | Fo - ()MHz | Typ. dBc | |
| | Fo +()MHz | Typ. dBc | |
| Return Loss | | Min. 12 dB | |
| Ripple | | < 1 dB | |
| Impedance | | In / Out : 50 Ω | |
| (4) Torque for Tuning Screw | | > 60gf · cm | |
| (5) Temperature Condition: | | | |
| Operating Temperature | | 0°C ~ +60°C | |
| Storage Temperature | | -20°C ~ +70°C | |
| (6) Input Power | | > 1 Watt | |



| | | | |
|-----------|------------|-----------|--------------------------------------|
| Approval | Supervisor | Designer | Aperture size |
| C.Y.Chang | C.K.Chang | C.S.Chang | 7H4S(4*4.65)(4.72) 7H046RB4.3 聚 3 |

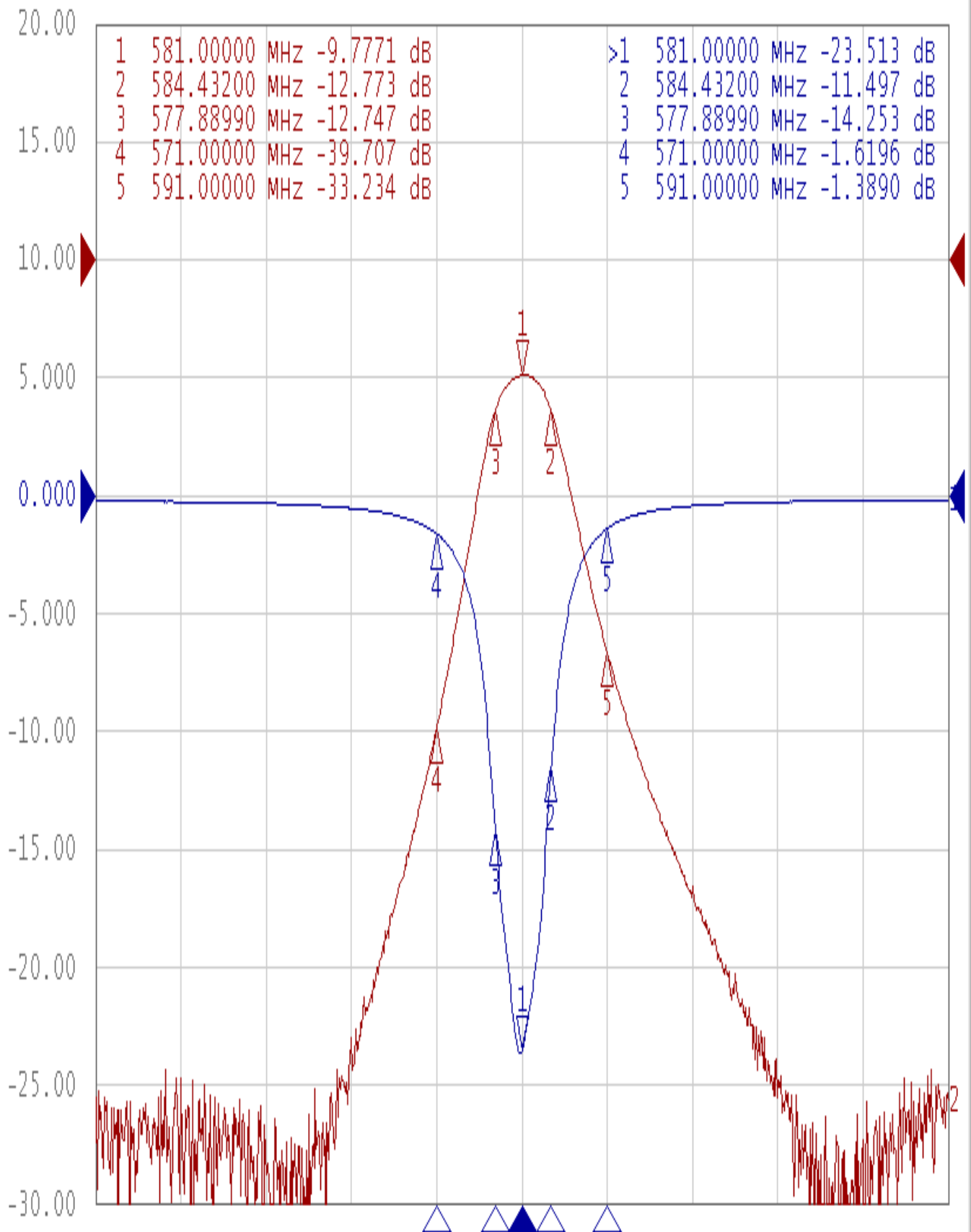
TEMWELL CORPORATION

TEMWELL RP(C.S.C)

Performance-TF64430B-581M

201106079CD

Tr1 S11 Log Mag 5.000dB/ Ref 0.000dB [F2]
Tr2 S21 Log Mag 10.00dB/ Ref 0.000dB [F2]



1 Center 581 MHz

IFBW 10 kHz

Span 100 MHz Cor !