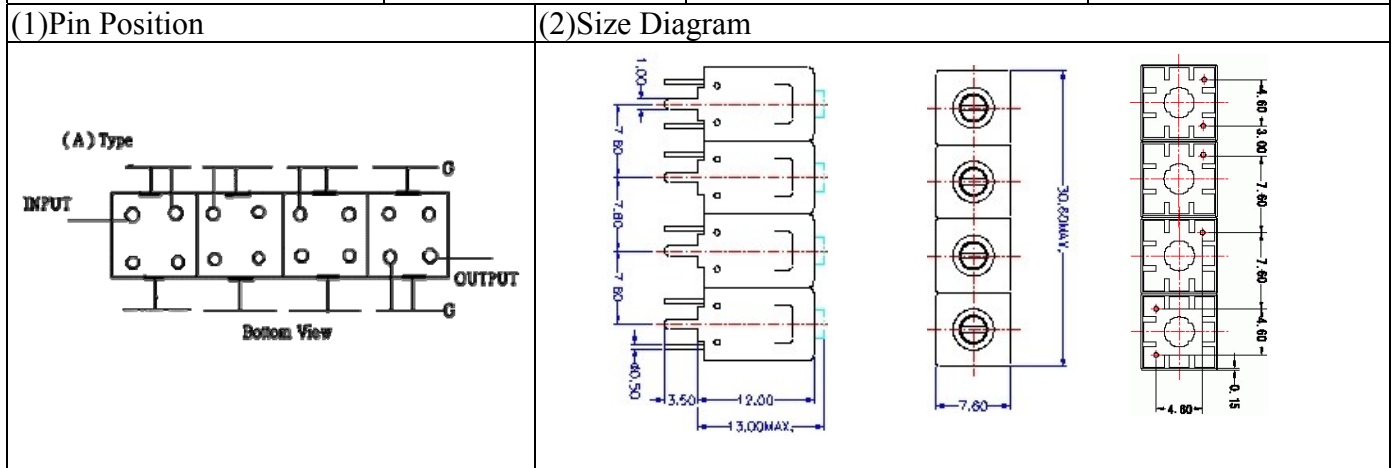
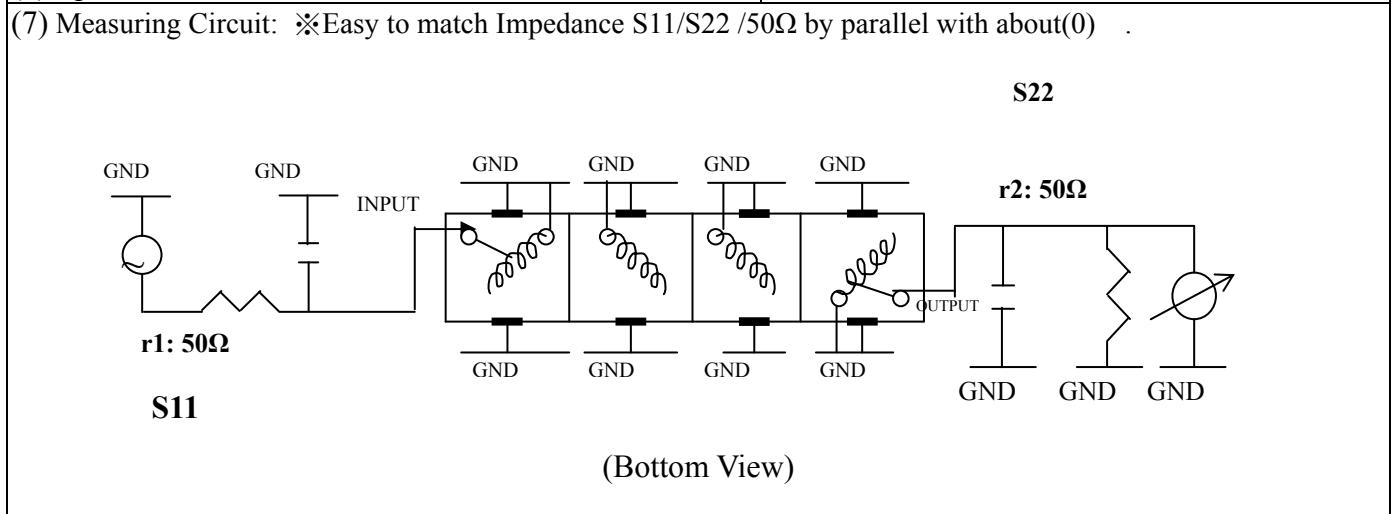


# VHF UHF Helical Filter Specification Sheet

Customer Name		Temwell's Part No.	TF64471A-960M
Approval No. /dated	201206112CD	Temwell's Print Name	64471A 960M
Work Instruction No.	201206112CD	Date	June.18.2012



(3) Electric Characteristic			
Item		Specify	Performance
Center Freq.(Fo) +/- 0.5 %		960 MHz	960 MHz
Insertion Loss		Typ. 7.5 dB	6.89 dB
-3 dB Bandwidth		Typ. 8 MHz	12.8 MHz
Sensitivity (Attenuation)	Fo - 10 MHz	Typ. 10 dBc	13 dBc
	Fo + 10 MHz	Typ. 10 dBc	11 dBc
	Fo - ( )MHz	Typ. dBc	dBc
	Fo +( )MHz	Typ. dBc	dBc
Return Loss		Min. 12 dB	24.4 dB
Ripple		< 1 dB	dB
Impedance		In / Out : 50 Ω	In / Out : 50 Ω
(4) Torque for Tuning Screw		> 60gf • cm	
(5) Temperature Condition:			
Operating Temperature		0°C ~ +60°C	
Storage Temperature		-20°C ~ +70°C	
(6) Input Power		> 1Watt	



Approval	Supervisor	Designer	Aperture size
C.Y.Chang	C.K.Chang	P.H.Chiang	7H4S(4*4.65)(4.68) 7H046LB4.3 聚 3

TEMWELL CORPORATION

# Performance-TF64471A-960M

## 201206112CD

Tr1 S11 Log Mag 5.000dB/ Ref 0.000dB [F2]  
Tr2 S21 Log Mag 10.000dB/ Ref 0.000dB [F2]

