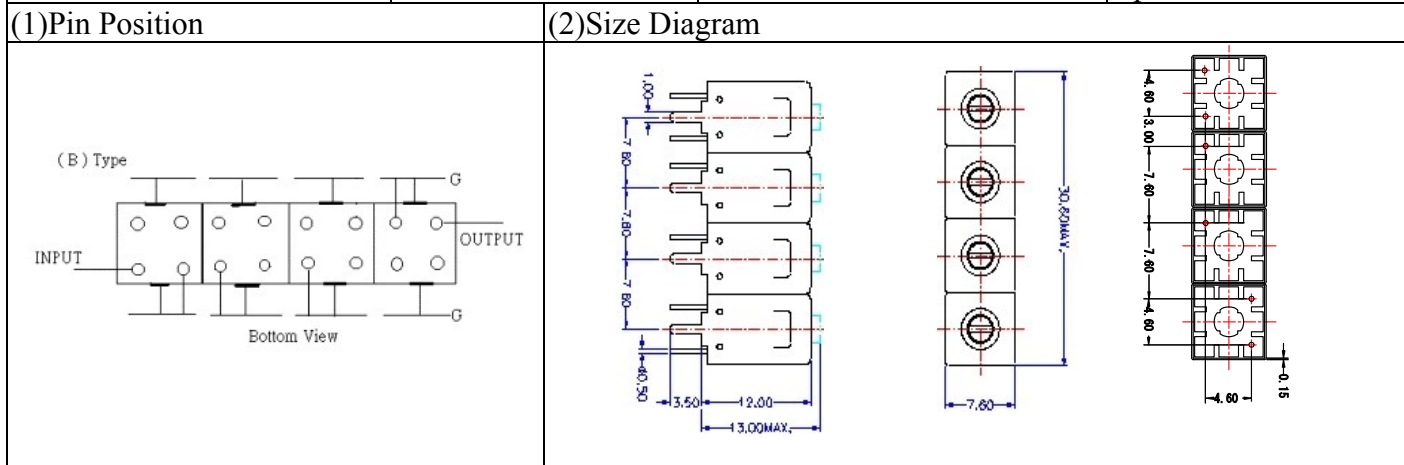


VHF UHF Helical Filter Specification Sheet

Customer Name		Temwell's Part No.	TF64496B-1000M
Approval No. /dated		Temwell's Print name.	64496B 1000M
Work Instruction No.	201404037CD	Date	Apr.25.2014



(3) Electric Characteristic

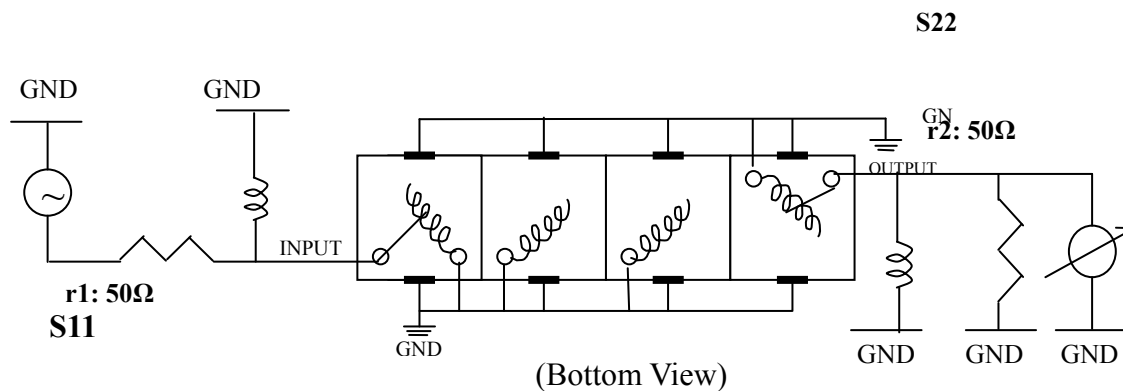
Item	Specify	Performance	
Center Freq.(Fo) +/- 0.5 %	1000 MHz	1000 MHz	
Insertion Loss	Typ. 3.0 dB	2.75 dB	
-3 dB Bandwidth	Typ. 20 MHz	35.8 MHz	
Sensitivity (Attenuation)	Fo - 100 MHz	Typ. 55 dB	80 dB
	Fo + 100 MHz	Typ. 55 dB	58 dB
	Fo - ()MHz	Typ. dB	dB
	Fo + ()MHz	Typ. dB	dB
Return Loss	Min. 12 dB	16.4 dB	
Ripple	< 1 dB	dB	
Impedance	In / Out : 50 Ω	In / Out : 50 Ω	

(4) Torque for Tuning Screw > 60gf · cm

(5) Temperature Condition:	
Operating Temperature	0°C ~ +60°C
Storage Temperature	-20°C ~ +70°C

(6) Input Power > 1Watt

(7) Measuring Circuit: ※Easy to match Impedance S11/S22 50Ω by parallel with about(--)



Approval	Supervisor	Designer	Aperture size
C.Y.Chang	C.K.Chang	P.H.Chiang	7H4S(4*6.35)(6.40) 7H046RB4

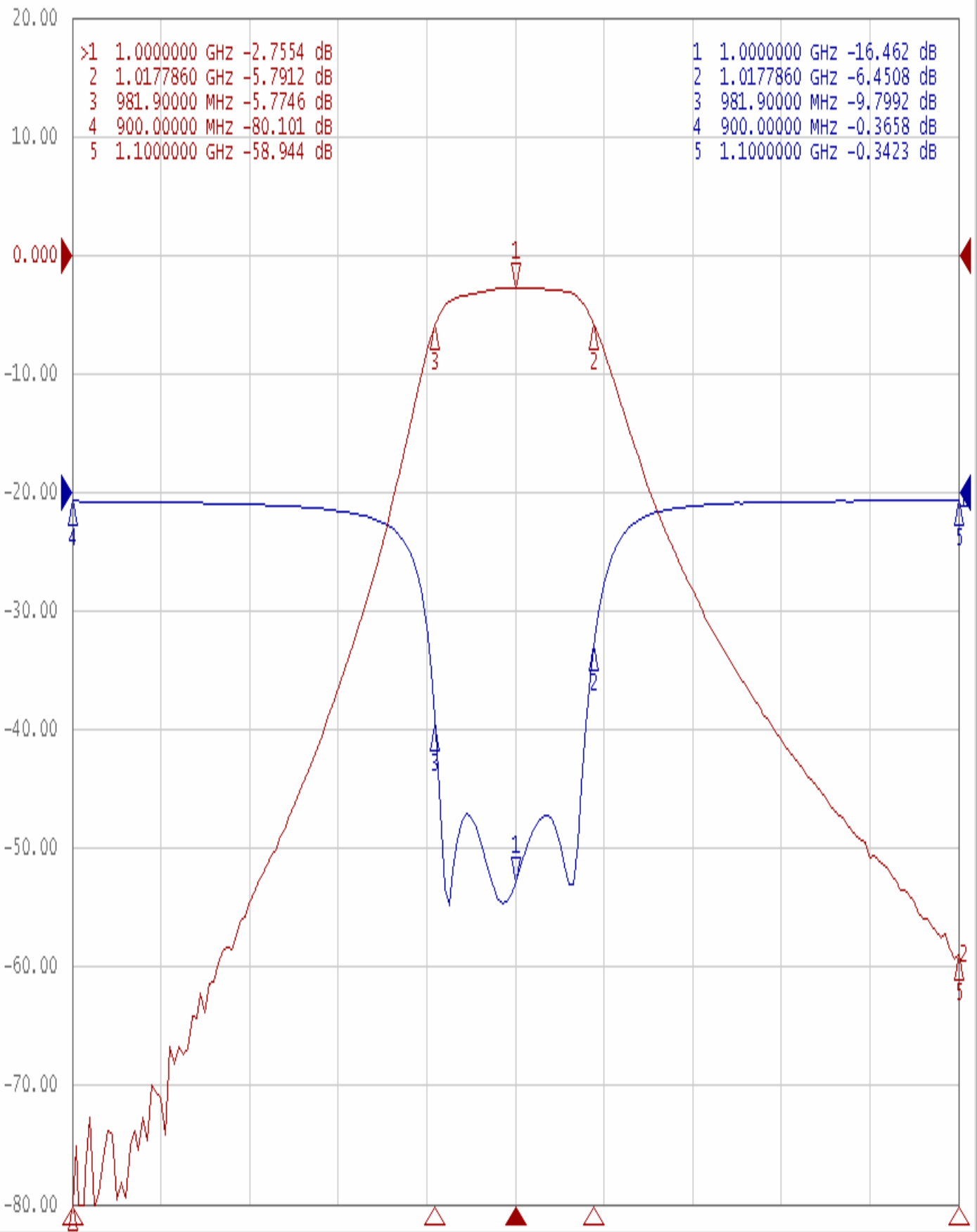
TEMWELL CORPORATION

TEMWELL RP(P-H)

Performance-TF64496B-1000M

201404037CD

Tr1 S11 Log Mag 5.000dB/ Ref 0.000dB [F2]
Tr2 S21 Log Mag 10.00dB/ Ref 0.000dB [F2]



1 Center 1 GHz

IFBW 70 kHz

Span 200 MHz Cor |