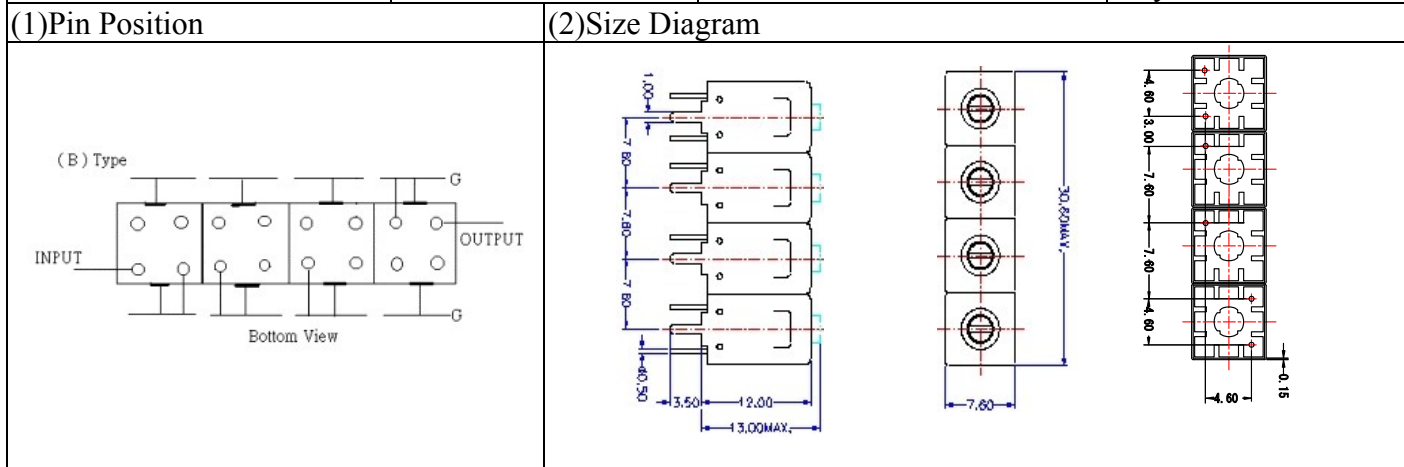


VHF UHF Helical Filter Specification Sheet

Customer Name		Temwell's Part No.	TF64498B-1600M
Approval No. /dated		Temwell's Print name.	64498B 1600M
Work Instruction No.	201404039CD	Date	May.30.2014



(3) Electric Characteristic

Item	Specify	Performance	
Center Freq.(Fo) +/- 0.5 %	1600 MHz	1600 MHz	
Insertion Loss	Typ. 3.0 dB	2.91 dB	
-3 dB Bandwidth	Typ. 20 MHz	60.0 MHz	
Sensitivity (Attenuation)	Fo - 100 MHz	Typ. 45 dB	61 dB
	Fo + 100 MHz	Typ. 45 dB	46 dB
	Fo - ()MHz	Typ. dB	dB
	Fo +()MHz	Typ. dB	dB
Return Loss	Min. 12 dB	26.6 dB	
Ripple	< 1 dB	dB	
Impedance	In / Out : 50 Ω	In / Out : 50 Ω	

(4) Torque for Tuning Screw

	> 60gf · cm
--	-------------

(5) Temperature Condition:

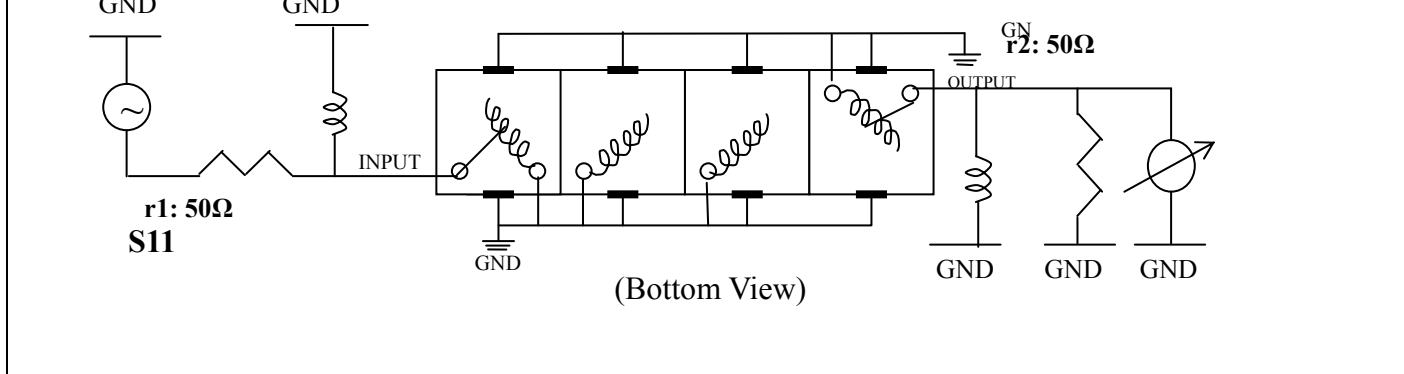
Operating Temperature	0°C ~ +60°C
-----------------------	-------------

Storage Temperature	-20°C ~ +70°C
---------------------	---------------

(6) Input Power

	> 1Watt
--	---------

(7) Measuring Circuit: ※Easy to match Impedance S11/S22 50Ω by parallel with about(--)



Approval	Supervisor	Designer	Aperture size
C.Y.Chang	C.K.Chang	P.H.Chiang	7H4S(4*8.0)(8.02) 7H046RB4-J1

TEMWELL CORPORATION

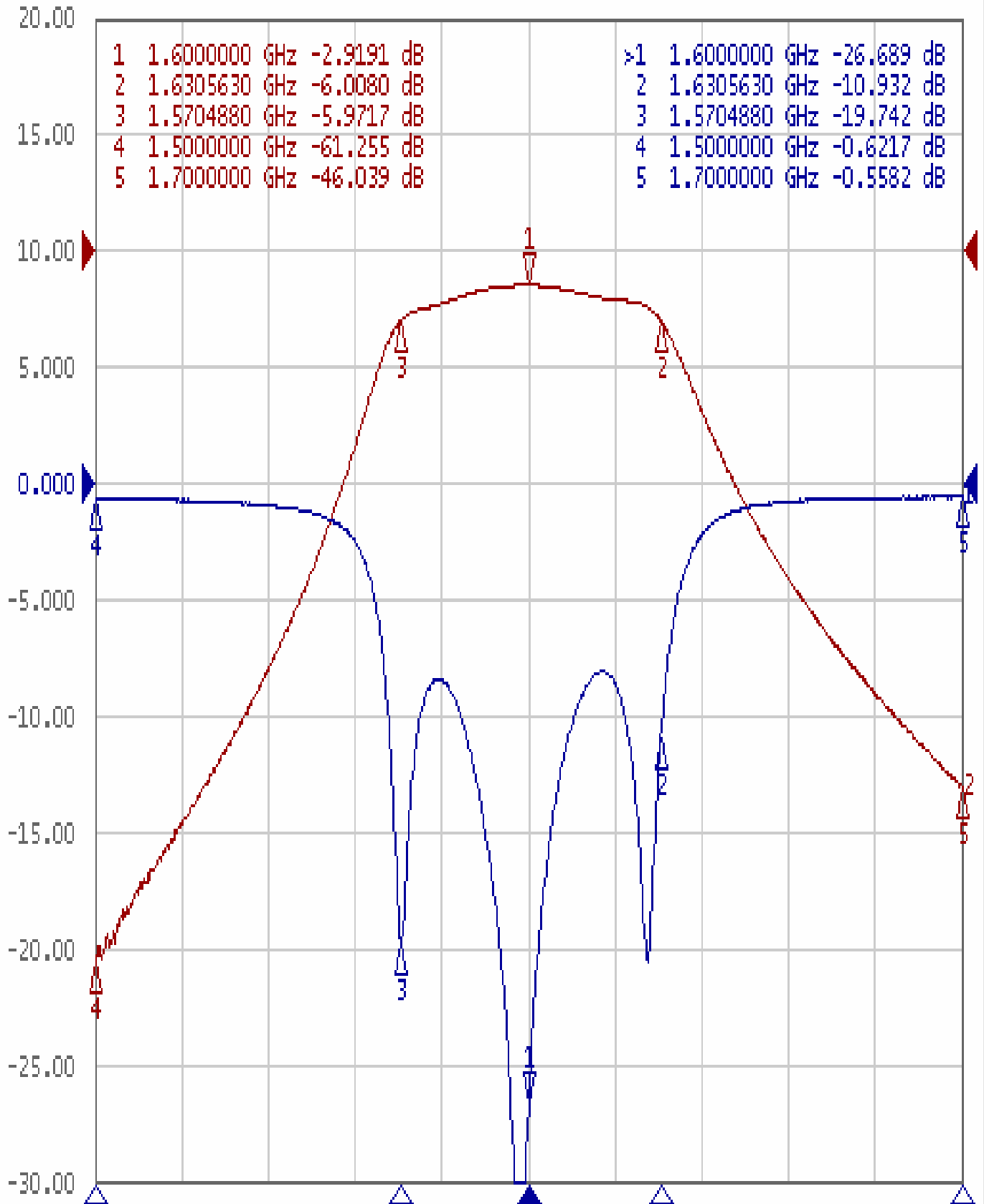
TEMWELL RP(P-H)

Performance-TF64498B-1600M

201404039CD

Tr1 S11 Log Mag 5.000dB/ Ref 0.000dB [F2]

Tr2 S21 Log Mag 10.00dB/ Ref 0.000dB [F2]



1 Center 1.6 GHz

IFBW 70 kHz

Span 200 MHz Cor !