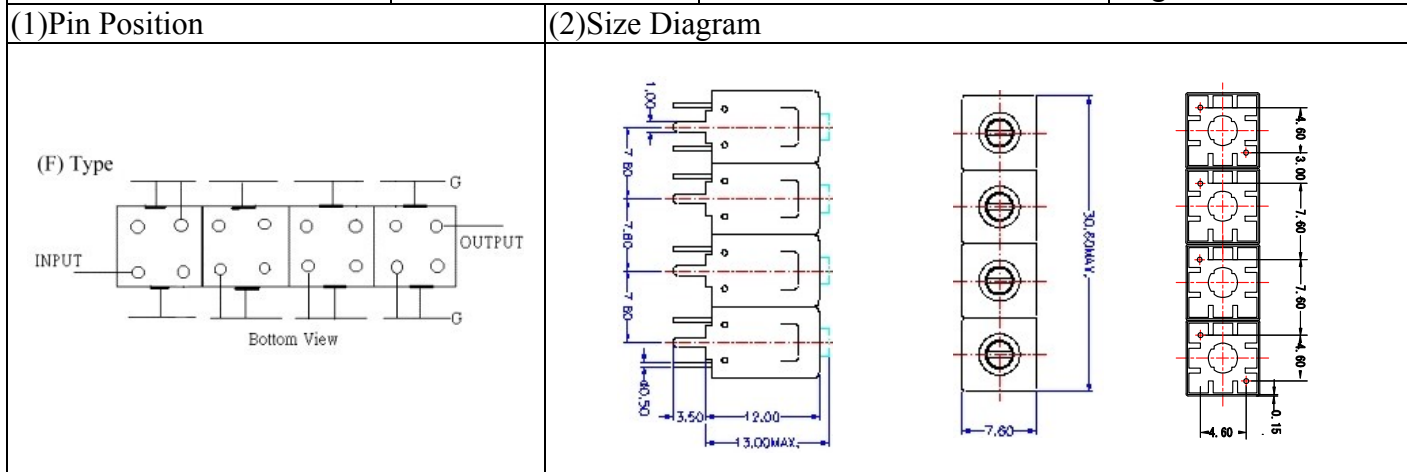


VHF UHF Helical Filter Specification Sheet

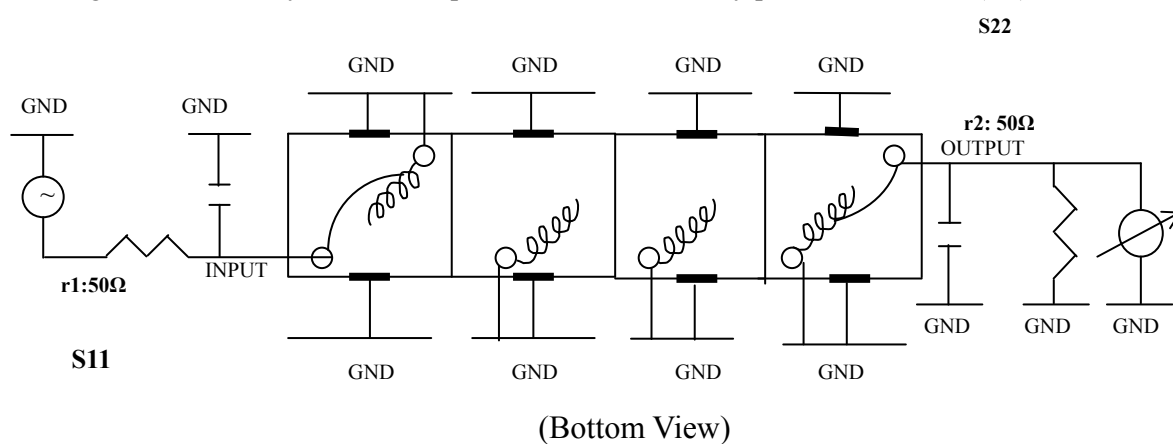
Customer Name		Temwell's Part No.	TF64569F-600M
Approval No. /dated	201707041CD	Temwell's Print name	64569F 600M
Work Instruction No.	201707041CD	Date	Aug.07.2017



(3) Electric Charasteric

Item	Specify	Performance	
Center Freq.(Fo) +/- 0.5 %	600 MHz	600 MHz	
Insertion Loss	Typ. 2.0 dB	0.66 dB	
-3 dB Bandwidth	Typ. 140 MHz	147.3 MHz	
Sensitivity (Attenuation)	Fo - 150 MHz	Typ. 36 dBc	41 dBc
	Fo + 150 MHz	Typ. 22 dBc	27 dBc
	Fo - () MHz	Typ. dBc	dBc
	Fo +() MHz	Typ. dBc	dBc
Return Loss	Min. 12 dB	34.6 dB	
Ripple	< 1 dB	dB	
Impedance	In / Out : 50 Ω	In / Out : 50 Ω	
(4) Torque for Tuning Screw	> 60gf · cm		
(5) Temperature Condition:			
Operating Temperature	0°C ~ +60°C		
Storage Temperature	-20°C ~ +70°C		
(6) Input Power	> 1Watt		

(7) Measuring Circuit: ※Easy to match Impedance S11/S22 50Ω by parallel with about(--).



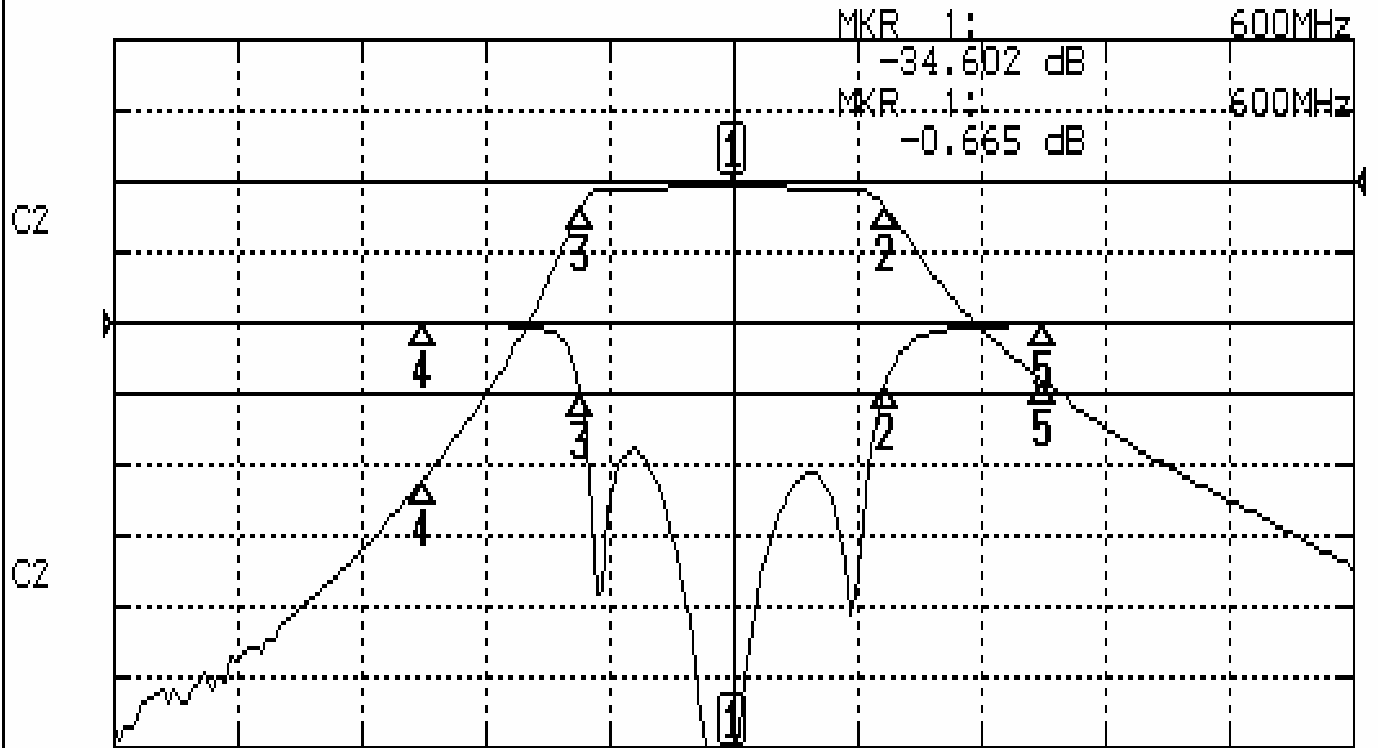
Approval	Supervisor	Designer	Aperture size
C.Y.Chang	C.K.Chang	C.H.Yeh	7H4S(4*8.0)(8.05) 7H046RB6.5

TEMWELL CORPORATION

Performance-TF64569F-600M

201707041CD

CH1 S11 LOG MAG REF 0.000 dB 5.000 dB/
CH2 S21 LOG MAG REF 0.000 dB 10.000 dB/



CENTER 600MHz

[10.00 dBm]

SPAN 600MHz

CH1 MARKER LIST

Marker	Frequency (MHz)	Magnitude (dB)
1:	600.000MHz	-34.602 dB
2:	673.800MHz	-4.365 dB
3:	526.480MHz	-5.014 dB
4:	450.000MHz	-0.044 dB
5:	750.000MHz	-0.092 dB
6:		
7:		
8:		
9:		
10:		

CH2 MARKER LIST

Marker	Frequency (MHz)	Magnitude (dB)
1:	600.000MHz	-0.665 dB
2:	673.800MHz	-0.660 dB
3:	526.480MHz	-0.623 dB
4:	450.000MHz	-42.205 dB
5:	750.000MHz	-28.182 dB
6:		
7:		
8:		
9:		
10:		