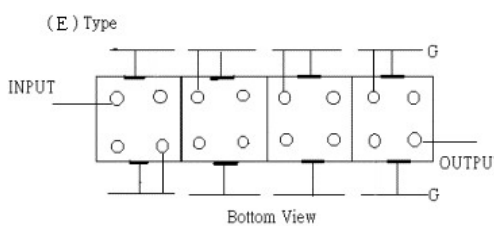
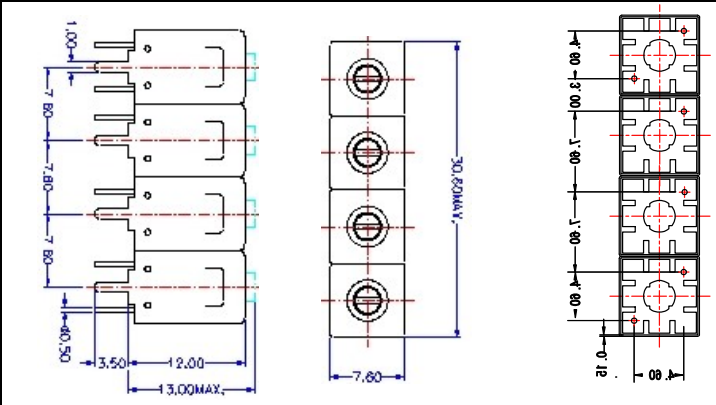
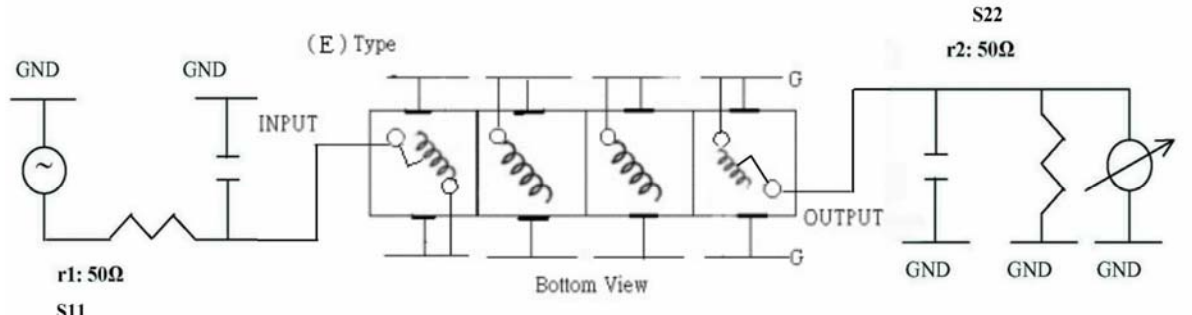


VHF UHF Helical Filter Specification Sheet

Customer Name		Temwell's Part No.	TF64607E-937.5M
Approval No. /dated	201708020CD	Temwell's Print name	64607E 937.5M
Work Instruction No.	201708020CD	Date	Aug.21.2017

(1)Pin Position	(2)Size Diagram
 <p>(E) Type INPUT OUTPUT G G Bottom View</p>	 <p>1.00 7.80 7.80 7.80 1.00 3.50 12.00 3.00MAX. 7.60 30.82MAX. 4.00 3.00 1.00 1.00 1.00 1.00 0.50</p>

(3)Electric Chararistic					
Item		Specify		Performance	
Center Freq.(Fo) +/- 0.5 %		937 MHz		937 MHz	
Insertion Loss		Typ. 3.0 dB		2.14 dB	
-3 dB Bandwidth		Typ. 45 MHz		48.2 MHz	
Sensitivity (Attenuation)	Fo - 100 MHz	Typ. 58 dBc		63 dBc	
	Fo + 100 MHz	Typ. 45 dBc		50 dBc	
	Fo - ()MHz	Typ. dBc		dBc	
	Fo +()MHz	Typ. dBc		dBc	
Return Loss		Min. 12 dB		24.9 dB	
Ripple		< 1 dB		dB	
Impedance		In / Out : 50 Ω		In / Out : 50 Ω	
(4)Torque for Tuning Screw		> 60gf • cm			
(5)Temperature Condition:					
Operating Temperature		0°C ~ +60°C			
Storage Temperature		-20°C ~ +70°C			
(6)Input Power		> 1Watt			

(7) Measuring Circuit: ※Easy to match Impedance S11/S22 50Ω by parallel with about()					
 <p>GND GND INPUT G G r1: 50Ω S11 Bottom View OUTPUT GND GND GND S22 r2: 50Ω</p>					

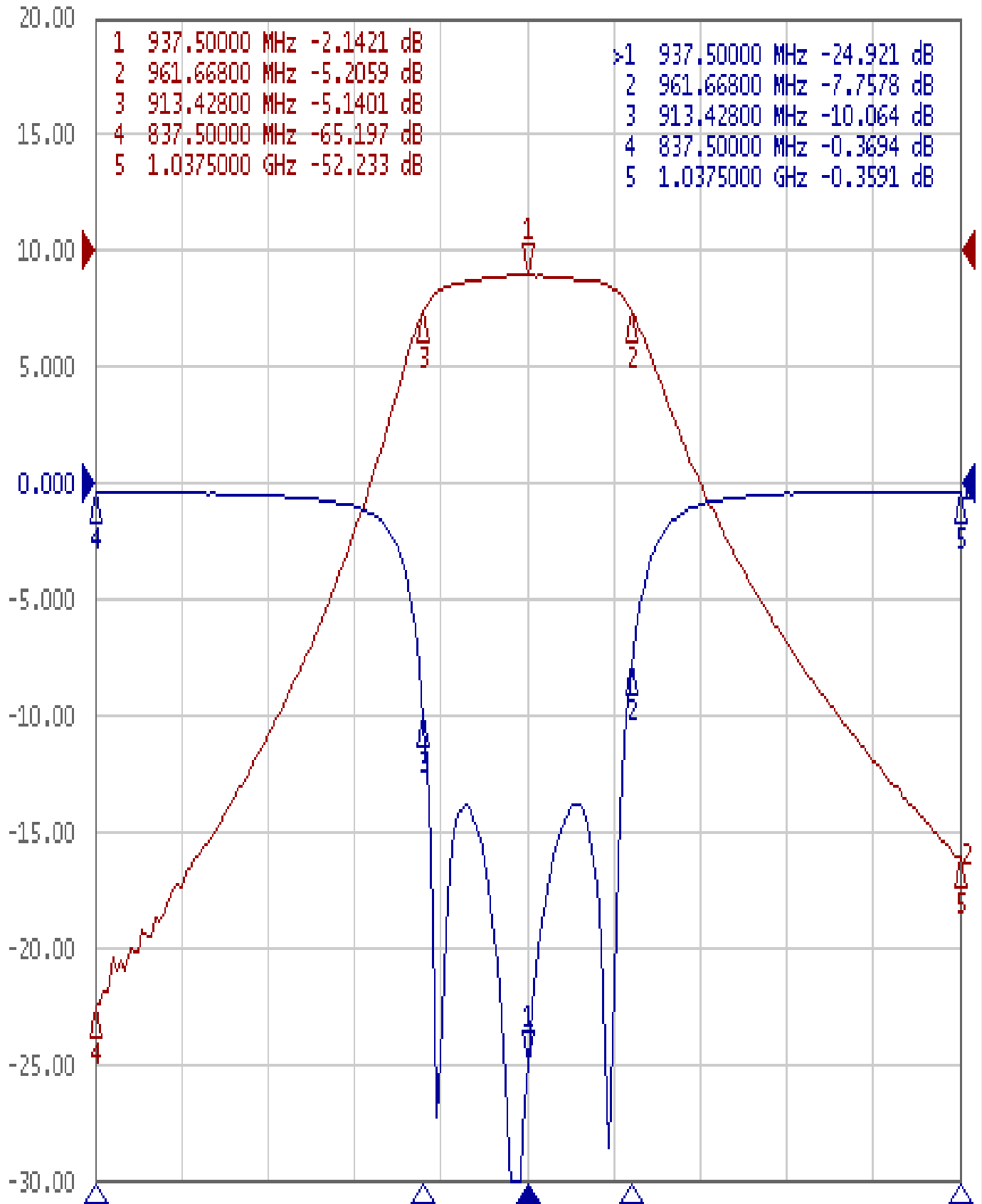
Approval	Supervisor	Designer	Aperture size
C.Y.Chang	C.K.Chang	W.W.Wang	7H4S(4*8.0)(8.03) 7H046LB4.3 聚 3(J2)
TEMWELL CORPORATION			

Performance-TF64607E-937.5M

201708020CD

Tr1 S11 Log Mag 5.000dB/ Ref 0.000dB [F2]

Tr2 S21 Log Mag 10.00dB/ Ref 0.000dB [F2]



1 Center 937.5 MHz

IFBW 70 kHz

Span 200 MHz

Cor